

## GENERAL INFORMATION

6 V 12 Ah is a general purpose battery with 3 to 5 years in standby service or more than 400 cycles at 50 % depth of discharge in cycle service.

## 57339 - 6 V 12 Ah

## SPECIFICATIONS

Nominal Voltage:	6 V
Nominal Capacity (20 hrs):	12 Ah
Dimensions	
Total Height:	100 mm (3 <sup>15/16</sup> in.)
Container Height:	94 mm (3 <sup>11/16</sup> in.)
Length:	151 mm (5 <sup>15/16</sup> in.)
Width:	51 mm (2 in.)
Weight:	Approx 1.68 Kg (3.70 lbs)
Container Material:	UL94HB ABS UL94V-0 ABS
Internal Resistance (25 °C, 77 °F):	~10 m Ω
Discharge Capacity Under Different Temperatures	
40 °C:	~102 %
25 °C:	~100 %
0 °C:	~85 %

## CHARACTERISTICS

### Capacity 25 °C / 77 °C

20 hrs @ 0.6 A:	12 Ah
5 hrs @ 1.92 A:	9.6 Ah
1 hrs @ 7.2 A:	7.2 Ah
1 C @ 12 A:	6 Ah

### Charging Voltage (25 °C, 77 °F)

Standby Use:	6.825 V ± 0.075 V
Cycle Use:	7.35 V ± 0.15 V

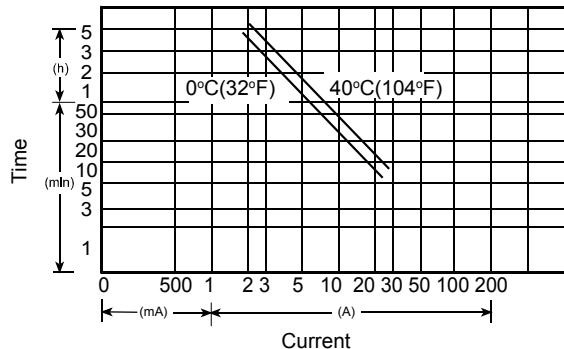
Max Discharge Current: 30 A

Max Charging Current: 3.6 A

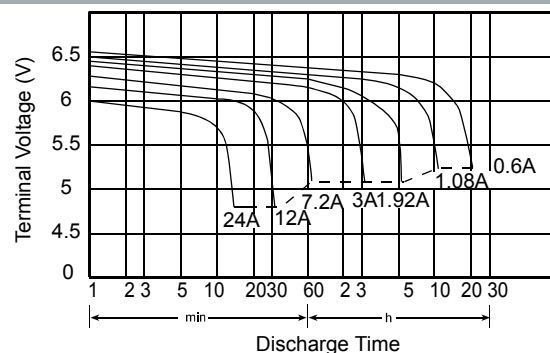
### Self-Discharge Residual Capacity (25 °C, 77 °F)

After 3 Months:	~90 %
After 6 Months:	~82 %
After 12 Months:	~70 %

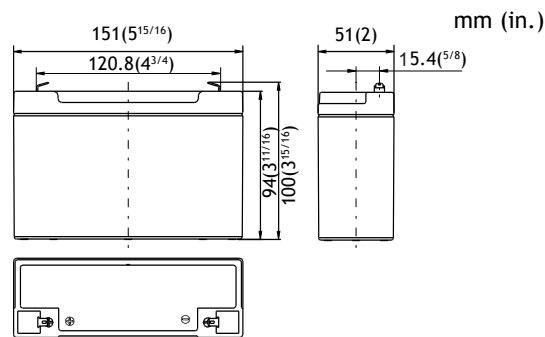
## DISCHARGE CURRENT VS TIME



## DISCHARGE CHARACTERISTICS 25 °C (77 °F)

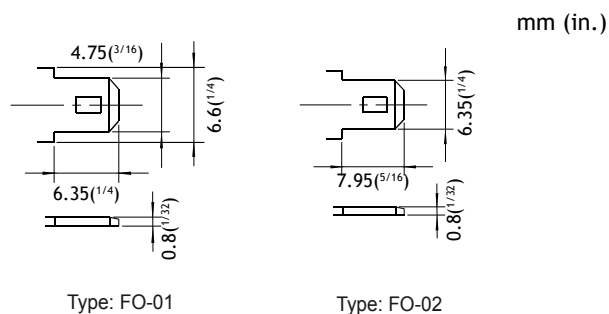


## DIMENSIONS



Tolerances are +/-1/32 in. (+/-1mm) and +/-3/32 in. (+/-2mm) for height dimensions.

## TERMINAL



Type: FO-01

Type: FO-02



Data is based upon tests performed in a controlled environment and representative of relative performance. Actual performance can vary depending on operating conditions. Specifications are subject to change without notice.