

SSM1A130M7

Solid state relay, 30 A, DIN rail mount, input 90...
280 V AC, output 24...280 V AC, 1 NO



Main

| | |
|---------------------------|-------------------|
| Range of product | Harmony Relay |
| Product or component type | Solid state relay |
| Device short name | SSM1 |
| Number of phases | 1 phase |

Complementary

| | |
|---------------------------------|---|
| Mounting support | Symmetrical DIN rail |
| [In] rated current | 30 A |
| Output voltage | 24...280 V AC |
| [Uc] control circuit voltage | 90...280 V AC |
| Contacts type and configuration | 1 NO |
| Tightening torque | 0.6...0.7 N.m input 1.36...1.7 N.m output |
| Connections - terminals | Screw terminals 1 x 0.2...1 x 5.3 mm ² , AWG 24...AWG 10) input Screw terminals 1 x 0.2...1 x 5.3 mm ² , AWG 24...AWG 10) output |
| Maximum capacitance | 8 pF input/output |
| Insulation resistance | 1000 MOhm 500 V DC |
| Local signalling | Input status LED (green) |
| Switching voltage | 90 V AC turn-on 10 V AC turn-off |
| Input current | 2...10 mA |
| Solid state output type | SCR output Zero voltage switching |
| Load current | 0.15...30 A |
| Transient overvoltage | 600 V |
| Surge current | 250 A 16.6 ms |
| Maximum voltage drop | <1.6 V on-state |

Disclaimer: This documentation is not intended as a substitute for and is not to be used for determining suitability or reliability of these products for specific user applications

| | |
|-------------------------------------|---------------------------------------|
| Maximum I ² t for fusing | 6000 A ² .s 8.3 ms |
| Maximum leakage current | 10 mA off-state |
| DV/Dt | 500 V/μs off-state at maximum voltage |
| Response time | 10 ms turn-on) 40 ms turn-off) |
| Overvoltage category | III |
| Net weight | 0.62 lb(US) (0.28 kg) |

Environment

| | |
|---------------------------------------|---|
| Dielectric strength | 4 kV AC input/output 4 kV AC input or output to case |
| Pollution degree | 2 |
| Standards | UL 508 CSA C22.2 No 14 IEC 60950-1 |
| Product certifications | CSA EAC UL |
| Marking | CE EAC UL CSA |
| IP degree of protection | IP20 |
| Ambient air temperature for operation | -40...176 °F (-40...80 °C) |
| Ambient air temperature for storage | -40...257 °F (-40...125 °C) |

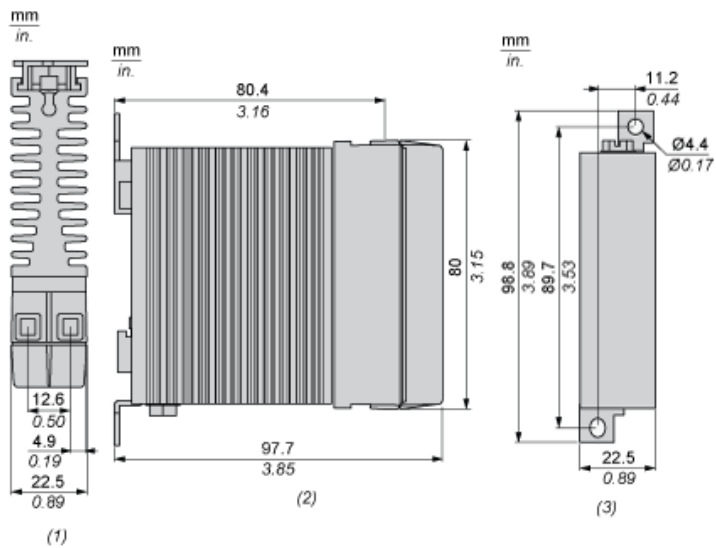
Packing Units

| | |
|------------------|------------------------|
| Package 1 Weight | 0.66 lb(US) (0.299 kg) |
| Package 1 Height | 0.310 dm |
| Package 1 width | 1.100 dm |
| Package 1 Length | 1.100 dm |

Offer Sustainability

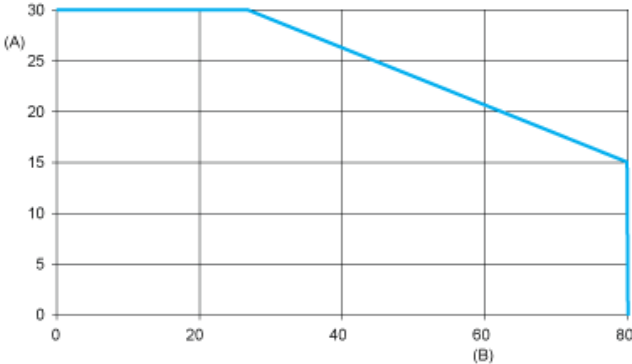
| | |
|----------------------------|---|
| Sustainable offer status | Green Premium product |
| REACH Regulation | REACH Declaration |
| EU RoHS Directive | Pro-active compliance (Product out of EU RoHS legal scope) EU RoHS Declaration |
| Mercury free | Yes |
| RoHS exemption information | Yes |
| China RoHS Regulation | China RoHS declaration |
| Environmental Disclosure | Product Environmental Profile |
| Circularity Profile | End of Life Information |

Dimensions



- (1) Top view
- (2) Side view
- (3) Front view

Derating Curves



A : Load Current (Amperes)
B : Ambient Temperature (°C)