



model **SP829**  
AXION® MSR Showerhead

## FEATURES & BENEFITS

---

### SHOWERHEAD

AXION® MSR ABS plastic drench showerhead uses a hydrodynamic design to give equal distribution of water throughout the entire footprint of flow.

### COMFORT

The violent showerhead flows of the past have been replaced by breaking the streams of water into smaller individual droplets to provide a more comfortable shower environment.



## OPTIONS

---

For more information, visit [www.hawesco.com](http://www.hawesco.com) or call (888) 640-4297.

## SPECIFICATIONS

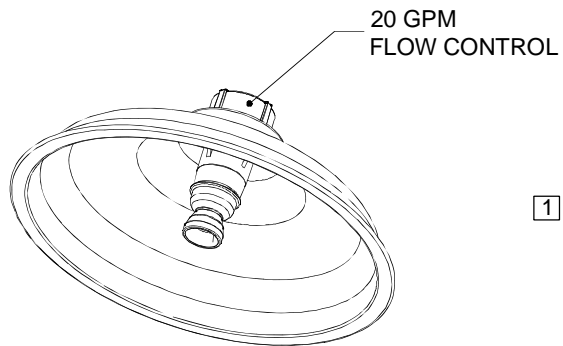
---

Model SP829 AXION® MSR hydrodynamic designed green ABS plastic showerhead with 20 gpm (75.7 L) flow control and 1" NPT inlet.

## APPLICATIONS

---

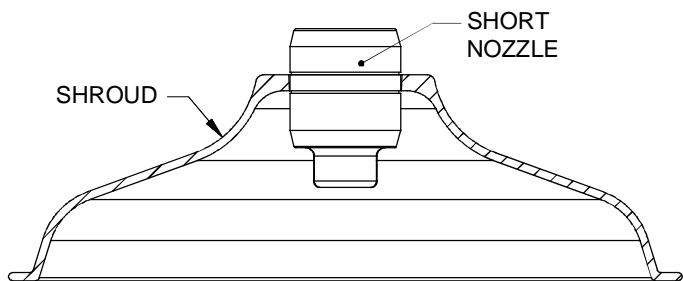
Specifically, this showerhead can be used with almost any Haws shower or combination model, with the use of a 1" NPT inlet.



20 GPM FLOW CONTROL

EXISTING SHOWER HEAD (SHROUD TYPE WITH INTEGRAL FLOW CONTROL)

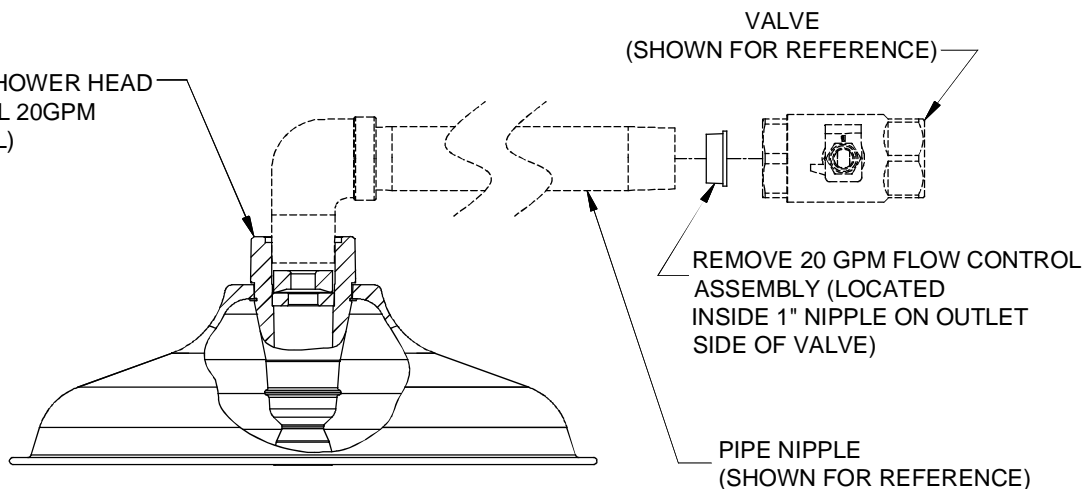
**2 STYLE A**



EXISTING SHOWER HEAD (SHORT NOZZLE TYPE WITH EXTERNAL FLOW CONTROL MAY OR MAY NOT INCLUDE SHROUD)

**2 STYLE B**

**1** SP829 AXION SHOWER HEAD (WITH INTEGRAL 20GPM FLOW CONTROL)



FLOW CONTROL REMOVAL FROM EXISTING SHOWER (APPLIES ONLY TO SHOWERS WITH A SHORT NOZZLE SHOWER HEAD - SEE STYLE B)

**DETAIL A**

**NOTES:**

**1** IF NECESSARY, USE DOW CORNING 832 SEALANT, PLACING 5 SMALL BEADS ON THE MALE THREADS OF MATING PART (JUST ABOVE THE FIRST THREAD) BEFORE ASSEMBLING HEAD.

**2** **REPLACEMENT INSTRUCTIONS FOR EXISTING SHOWER HEADS SHOWN ABOVE:**  
**STYLE A)** IF EXISTING HEAD IS SHROUD TYPE WITH INTERNAL FLOW CONTROL; REPLACE WITH NEW SP829 HEAD. NO OTHER MODIFICATIONS ARE REQUIRED.

**STYLE B)** IF EXISTING HEAD IS SHORT NOZZLE TYPE (MAY OR MAY NOT HAVE A SHROUD ATTACHED) A 20 GPM FLOW CONTROL IS PRESENT INSIDE OVERHEAD NIPPLE AND **MUST BE REMOVED** PRIOR TO INSTALLING NEW SP829 SHOWER HEAD. (SEE **DETAIL A**)

		1455 KLEPPE LANE SPARKS, NEVADA 89431 (775) 359-4712 FAX (775) 359-7424 E-MAIL: HAWS@HAWS.CO.COM WEBSITE: WWW.HAWS.CO.COM			
		ECN NO. 4111 DRAWN: IR APPROVED:	REVISED PER: HM DATE: 5/22/08 DATE:	MODEL(S) SP829 AXION SHOWER HEAD	PART NUMBER 0002080268 DRAWING NO. 15351A00 REV 7
SCALE: 3:2		DRAWING TYPE: INSTALLATION		SIZE: A	SHEET 1 OF 1