

9001KP35LRR9

Pilot light, Harmony 9001K, metal, polycarbonate, domed, red, 30mm, LED red, 24...28V



Main

Range of Product	Harmony 9001K
Product or Component Type	Pilot light
Device short name	9001K

Complementary

Bezel material	Metal
Mounting diameter	1.18 in (30 mm)
Shape of signaling unit head	Round
Lens type	Domed plastic
Cap/operator or lens colour	Red
Light source	Red LED
Bulb base	BA 9s
Light block supply	Direct 24...28 V AC/DC
Connections - terminals	Screw clamp terminals, 1 x 0.22...2 x 1.5 mm ² IEC 60947-1
Tightening torque	7.08 lbf.in (0.8 N.m) IEC 60947-1
Shape of screw head	Cross slotted
Shape of screw head	Cross slotted
Operating position	Any position
[U] rated insulation voltage	250 V 2)IEC 60947-1
[Uimp] rated impulse withstand voltage	2.5 kV IEC 60947-1
Short-circuit protection	10 A cartridge fuse IEC 60947-5-1
Light source	LED
[Ith] conventional free air thermal current	10 A
CAD overall width	2.13 in (54 mm)
CAD overall height	2.76 in (70 mm)
CAD overall depth	1.65 in (42 mm)
[Us] rated supply voltage	24...28 V AC/DC
Net Weight	0.30 lb(US) (0.134 kg)
Device presentation	Complete product
Lens type	Domed
[Us] rated supply voltage	24...28 V
Light source colour	Red
Lens material	Polycarbonate
Size	30 mm

The information provided in this documentation contains general descriptions and/or technical characteristics of the performance of the products contained herein. This documentation is not intended as a substitute for and is not to be used for determining suitability or reliability of these products for specific user applications. It is the duty of any such user or integrator to perform the appropriate and complete risk analysis, evaluation and testing of the products with respect to the relevant specific application or use thereof. Neither Schneider Electric Industries SAS nor any of its affiliates or subsidiaries shall be responsible or liable for misuse of the information contained herein.

Environment

Standards	JIS C8201-5-1 EN/IEC 60947-5-1 CSA C22.2 No 14 JIS C 852 UL 508 EN/IEC 60947-5-4 EN/IEC 60947-1 JIS C8201-1
Product Certifications	NEMA[RETURN]UL 508
Protective treatment	TC
Ambient Air Temperature for Storage	-40...158 °F (-40...70 °C)
Ambient Air Temperature for Operation	-13...158 °F (-25...70 °C)
Vibration resistance	7 gn 2...500 Hz)IEC 60068-2-6
Shock resistance	50 gn IEC 60068-2-27
Overvoltage category	Class II IEC 61140
IP degree of protection	IP66 IEC 60529
NEMA degree of protection	NEMA 1 NEMA 12 NEMA 13 NEMA 2 NEMA 3 NEMA 3R NEMA 4 NEMA 6

Ordering and shipping details

Category	21426-9001 K (NOT KA,KM,KX)
Discount Schedule	CS1
GTIN	785901421658
Returnability	Yes
Country of origin	MX

Packing Units

Unit Type of Package 1	PCE
Number of Units in Package 1	1
Package 1 Height	2.24 in (5.700 cm)
Package 1 Width	1.77 in (4.500 cm)
Package 1 Length	3.74 in (9.500 cm)
Package 1 Weight	5.04 oz (142.900 g)
Unit Type of Package 2	S01
Number of Units in Package 2	16
Package 2 Height	5.91 in (15.000 cm)
Package 2 Width	5.91 in (15.000 cm)
Package 2 Length	15.75 in (40.000 cm)
Package 2 Weight	5.41 lb(US) (2.452 kg)

Offer Sustainability

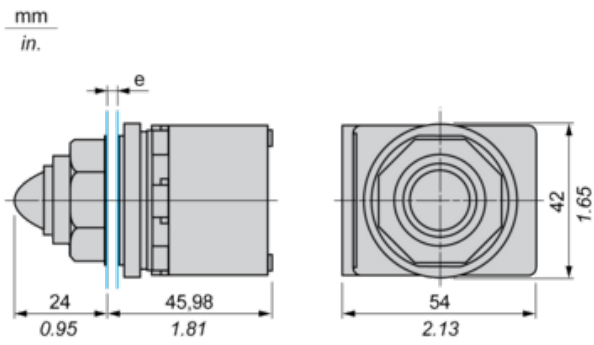
Sustainable offer status	Green Premium product
California proposition 65	WARNING: This product can expose you to chemicals including: Lead and lead compounds, which is known to the State of California to cause cancer and birth defects or other reproductive harm. For more information go to www.P65Warnings.ca.gov
REACH Regulation	 REACH Declaration
EU RoHS Directive	Pro-active compliance (Product out of EU RoHS legal scope)
Mercury free	Yes
China RoHS Regulation	 China RoHS Declaration
RoHS exemption information	 Yes

Environmental Disclosure	Product Environmental Profile
Circularity Profile	No need of specific recycling operations
WEEE	The product must be disposed on European Union markets following specific waste collection and never end up in rubbish bins.

Contractual warranty

Warranty	18 months
----------	-----------

Dimensions



e panel thickness: 1 to 6 mm / 0.04 to 0.24 in.