

Keywerks™ RJ45 Dust Cover

Description

Keywerks™ dust cover for RJ45 modules are designed to fit Keywerks jacks. They are to be inserted onto the RJ45 side of the jack to prevent contaminants from entering the contact area during the installation or in a case when the jack is left unconnected for an extended period of time.

Features and Benefits

No additional dust cover on face plates and surface mount boxes
Compatible with Keywerks jacks
Snap-in mechanism

Protect jacks in the patch panel
Reusable multiple times

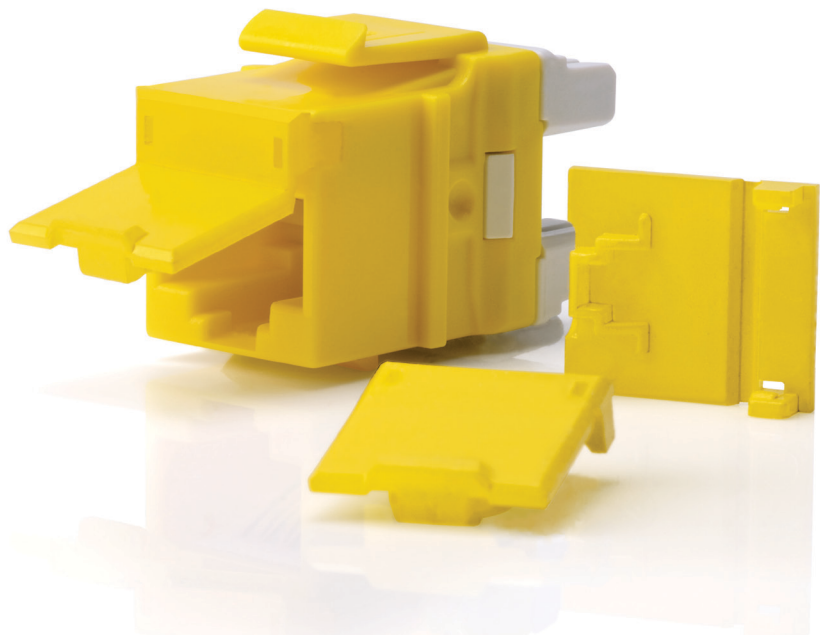
Applications

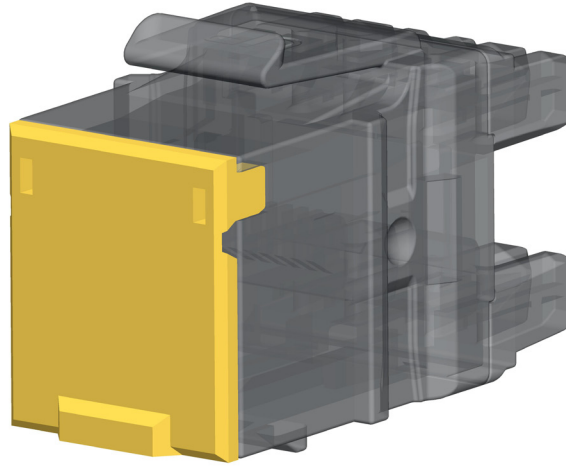
Contacts protection against contaminants
Emphasize color coding

Certification and Compliance

UL 94
RoHS

Tests for Flammability of Plastic Material for Parts in Devices and Appliances.
Directive on Restriction of Hazardous Substances.





Ordering Information

Description	Part Number
Clear	KW-DUSTCAP-CL
Grey	KW- DUSTCAP-GY
Brown	KW- DUSTCAP-BW
White	KW- DUSTCAP-WH
Yellow	KW- DUSTCAP-YL
Red	KW- DUSTCAP-RD
Black	KW- DUSTCAP-BK
Purple	KW- DUSTCAP-PR
Almond	KW- DUSTCAP-AL
Blue	KW- DUSTCAP-BL
Green	KW- DUSTCAP-GN

Packaging

Description
Clear poly bag, 50 units bag.

Inclusion

Description
Instruction manual.

Physical Characteristics

Parameter	Value
Dust cover material	Polypropylene UL 94V-0 thermoplastic
Overall dimensions	16.3 mm (0.64 in) x 14.2 mm (0.56 in) x 3.85 mm (0.15 in)

Mechanical Characteristics

Parameter	Value
Operating temperature	-40° C (-40° F) ~ 60° C (140° F)
Open/shut cycles	≥500 cycles