



ProPort™ products provide access to AC power and data signals from the outside of a control cabinet. Computers and programming devices can access a PLC within the cabinet without opening the cabinet door.

Products are available with D-sub, RJ or mini-DIN connectors. A single AC outlet is available with most connector types and a 5A circuit breaker is optional.

Most ProPort™ products are available with 2 or 3 variations for the connections on the inside of the cabinet - screw terminals, bulkhead connectors, or cables.

AC outlets and circuit breakers are connected via quick tab terminals.

Two unique additions to the ProPort™ offering allow access to 4-20mA loops through make-before-break connections. A meter can be inserted and removed from a loop without a momentary interruption.

The housings are from Weidmuller's standard HDC family. Features include hinged, gasketed covers with secure latching levers. Housings are made from die-cast zinc and are rated NEMA 4 (IP65).

ProPort™ products are CSA approved and UL recognized.

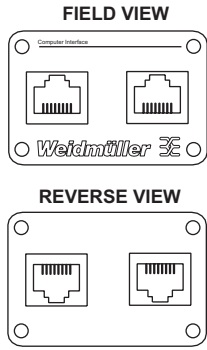


ProPort™ Selection Matrix

Field Side				Reverse Side			Housing Size	Cat.#	Pg.
Conn. 1	Conn. 2	AC	C/B	Terminals	Bulk-head	Cable			
		•					3	7940000232	9
		•	•				6	7940000233	9
DB9-F				LM5.08			3	7940000256	3
DB9-F					DB9-M		3	7940000255	3
DB9-F						DB9-M	3	7940000254	3
DB9-F	DB9-F			LM5.08			6	7940000228	4
DB9-F	DB9-F				2xDB9-M		6	7940000227	4
DB9-F	DB9-F					2xDB9-M	6	7940000226	4
DB9-F		•		LM5.08			6	7940000219	3
DB9-F		•			DB9-M		6	7940000218	3
DB9-F		•				DB9-M	6	7940000217	3
DB9-F	DB9-F	•			2xDB9-M		6	7940000230	5
DB9-F	DB9-F	•				2xDB9-M	6	7940000229	5
DB9-M		•		LM5.08			6	7940000252	5
DB9-M		•			DB9-F		6	7940000251	5
DB9-M		•				DB9-F	6	7940000250	5
DB15-F		•			DB15-M		6	7940000221	6
DB15-F		•				DB15-M	6	7940000220	6
DB25-F		•			DB25-M		8	7940000224	6
DB25-F		•				DB25-M	8	7940000223	6
RJ12					RJ12		3	7940000243	8
RJ12	RJ12				2xRJ12		3	7940000240	8
RJ12		•			RJ12		6	7940000236	8
RJ45					RJ45		3	7940000241	8
RJ45					RJ45		3	7940000242	8
CAT5					CAT5				
RJ45		•			RJ45		6	7940000234	8
RJ45		•			RJ45		6	7940000235	8
CAT5					CAT5				
RJ45	RJ45				2xRJ45		3	7940000238	8
RJ45	RJ45				2xRJ45		3	7940000239	8
CAT5	CAT5				CAT5				
PS2	PS2					2xMini-DIN	3	7940000253	9
AB DH+						DB9-M	3	7940000244	7
AB DH+						Mini-DIN	3	7940000245	7
AB DH+				LM5.08			3	7940000246	7
AB DH+		•	•	LM5.08			8	7940000247	7
AB DH+		•	•			DB9-M	8	7940000248	7
AB DH+		•	•			Mini-DIN	8	7940000249	7
1/8" phono x 4 make-before-break				TOP 1.5			6	7926620004	10
1/8" phono x 8 make-before-break				TOP 1.5			10	7926620008	10

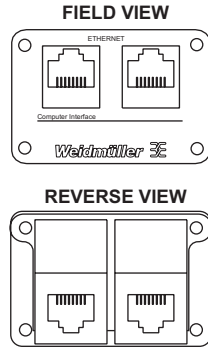
Housing dimensions located on page 11

RJ-45 x 2 Interface
Housing Size: 3



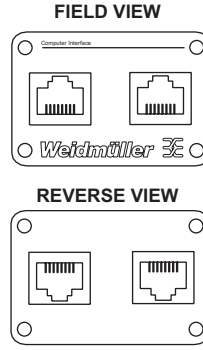
Insert + Housing:
Catalog # 7940000238

RJ45 - CAT5 Interface
Ethernet
Housing Size: 3



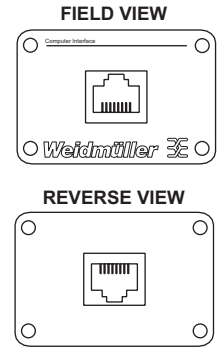
Insert + Housing:
Catalog # 7940000239

RJ 12 6 pole x 2 Interface
Housing Size: 3



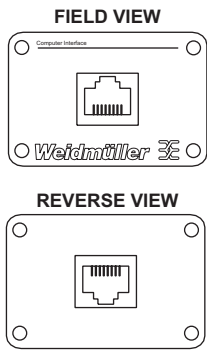
Insert + Housing:
Catalog # 79240000240

RJ-45 Interface
Housing Size: 3



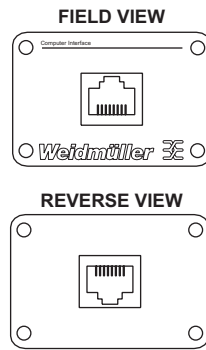
Insert + Housing:
Catalog # 7940000241

RJ45 - CAT5 Interface
Housing Size: 3



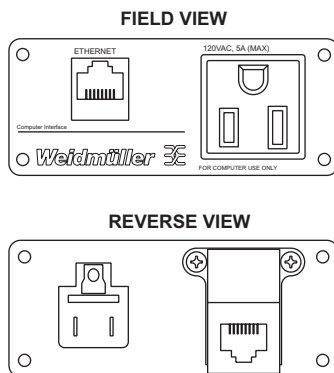
Insert + Housing:
Catalog # 7940000242

RJ12 6 pole Interface
Housing Size: 3



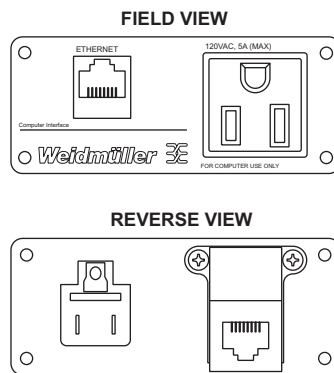
Insert + Housing:
Catalog # 7940000243

RJ45 + AC Interface
Housing Size: 6



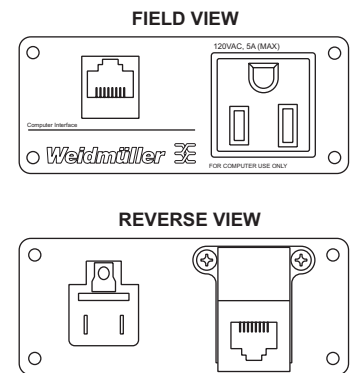
Insert + Housing:
Catalog #7940000234

RJ45 (CAT5) + AC Interface
Ethernet
Housing Size: 6



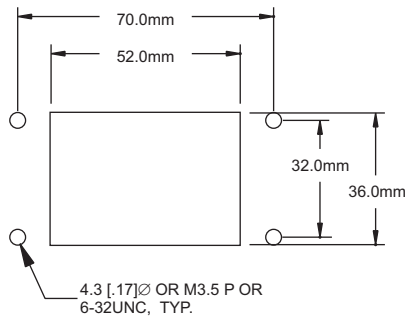
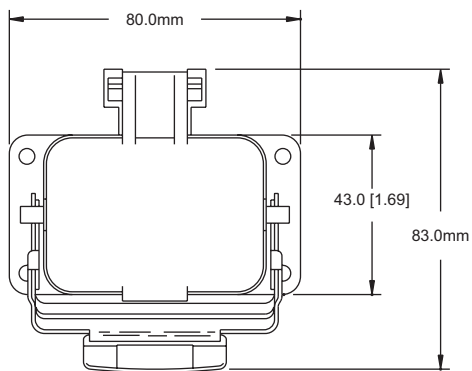
Insert + Housing:
Catalog # 7940000235

RJ12 6 pole + AC Interface
Housing Size: 6

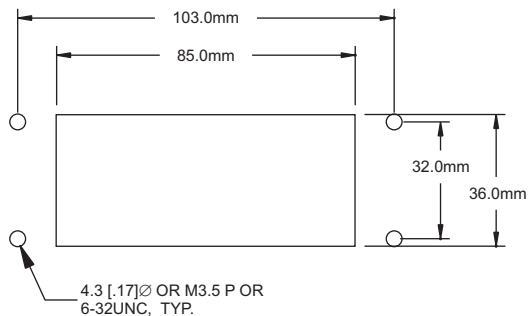
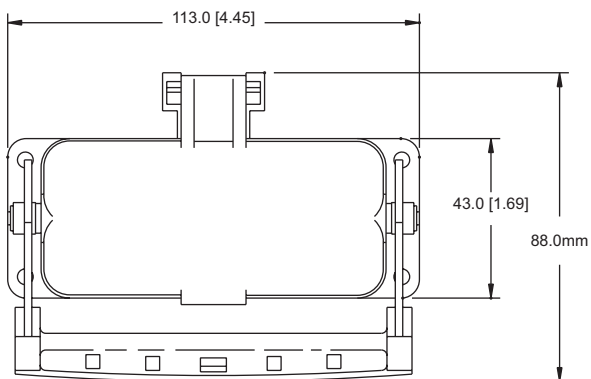


Insert + Housing:
Catalog # 7940000236

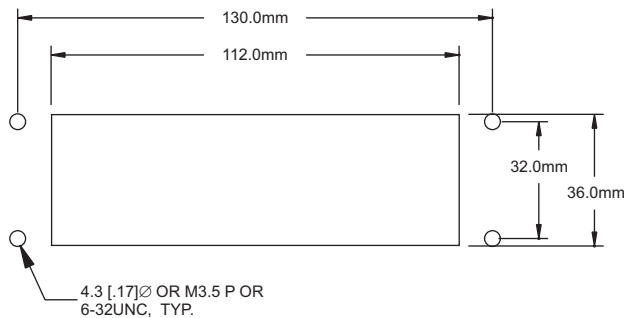
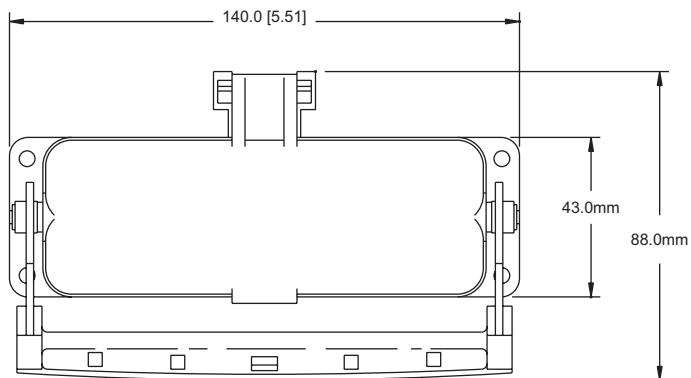
Housing Size: 3



Housing Size: 6



Housing Size: 8



Housing Size: 10

