

FEATURES & SPECIFICATIONS

INTENDED USE — Ideal where high brightness and high illumination levels are required such as retail, industrial and warehouse applications. **Certain airborne contaminants can diminish the integrity of acrylic and/or polycarbonate.** [Click here for Acrylic-Polycarbonate Compatibility table for suitable uses.](#)

ATTRIBUTES — Fixtures assembled with snap and screwed together components. Available in a variety of lengths and lamp configurations. Gripper-back design for superior strength and rigidity.

The most popular catalog items will ship with simplified nomenclature.

Example: UNS 2 96HO 120 GEB ships as UN296HO.

CONSTRUCTION — Heavy-duty, 20-gauge channel, cold-rolled steel.

Sturdy channel cover secured by quarter-turn latch for tool-less access to wireway. Screw-on endplates.

Finish: Five-stage iron-phosphate pretreatment ensures superior paint adhesion and rust resistance.

Finish is high-gloss baked white polyester.

ELECTRICAL — Thermally-protected, resetting, Class P, non-PCB, UL Listed, CSA Certified ballast is standard. Electronic T12 high-output (HO) ballasts rated to start full-wattage lamps at -20°F. CW20 cold-weather option not required in fixture description.

Fixture is suitable for damp locations. AWM, TFN or THHN wire used throughout, rated for required temperatures.

INSTALLATION — For unit or row installation, surface or suspended mounting. Channel connector furnished standard.

LISTINGS — UL Listed for 25°C ambient temperatures and damp locations.

UL Listed to US and Canadian safety standards. Optional: Mexico NOM.

WARRANTY — 1-year limited warranty. Complete warranty terms located at:

www.acuitybrands.com/support/warranty/terms-and-conditions

Note: Actual performance may differ as a result of end-user environment and application.

Specifications subject to change without notice.

Catalog Number
Notes
Type

Heavy-Duty Strip

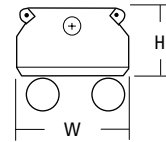
UNS



T12, ELECTRONIC BALLASTS
4', 6' or 8' length
1 or 2 lamps

Specifications

Length:	48 (121.9) 72 (182.8) 96 (243.8)
Width:	4-3/8 (11.1)
Fixture Depth:	3 (7.6)



All dimensions are inches (centimeters) unless otherwise noted.

ORDERING INFORMATION

For shortest lead times, configure products using **bolded options**.

Example: UNS 2 96HO 120 GEB

UNS				
Series	Number of lamps	Lamp type	Voltage	Options
UNS Heavy-duty strip For tandem double-length unit, add prefix T. Example: TUNS	1	48 38W T12 Slimline (48")	120	Shipped installed in fixture
	2 Not included.	72 55W T12 Slimline (72")	277	GEB10PS Electronic ballast, <10% THD, program start
		96 75W T12 Slimline (96")	347	GEB10RS Electronic ballast, <10% THD, rapid start ²
		48HO 60W T12 800MA (48")	MVOLT ¹	EL6 Emergency battery pack (nominal 600lumens), see Life Safety Section
		72HO 85W T12 800MA (72")		GLR Internal fast-blow fuse
96HO 110W T12 800MA (96")			GMF Internal slow-blow fuse	
				PLR_ Plug-in wiring; specify 1,2 or 3 branch circuits and hot wires (A=black, B=red, C=blue, AB or AC)
				TILW Tandem in-line wiring
				NOM NOM Certified

Accessories: Order as separate catalog number.

SQ_	Swivel stem hanger (specify length in 2" increments up to 48")
1B	Ceiling spacer, 1.5" to 2.5" from ceiling
HC36 M12	Hanger chain, 36" (1 pair)
THUN J2	Tong Hanger (1 pair)
HRUNS1 J2	Hooker™ T-bar hanger, 1-1/2" from ceiling (1 pair)
CSMR48	Symmetric reflector, 4' white ³
CASR48	Asymmetric reflector 4' white ³
WGCUN	Wireguard, 4' white ³

Notes

- Electronic ballast 120-277V.
- For 347 only.
- Order two for 8' fixtures. For strip channels only.

UNST12, Low Bay Industrial

MOUNTING DATA

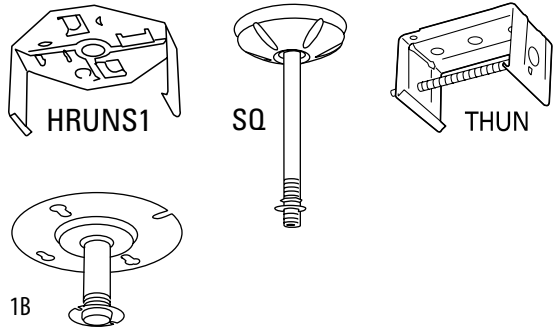
For unit or row installation, surface or suspended mounting. Use hanger appropriate for fixture width.

Unit installation — Minimum of two hangers required.

Row installation — One hanger per channel plus one per row required.

Hooker® (HRUNS1), HC36 and THUN Hangers — Minimum two per channel (unit and row).

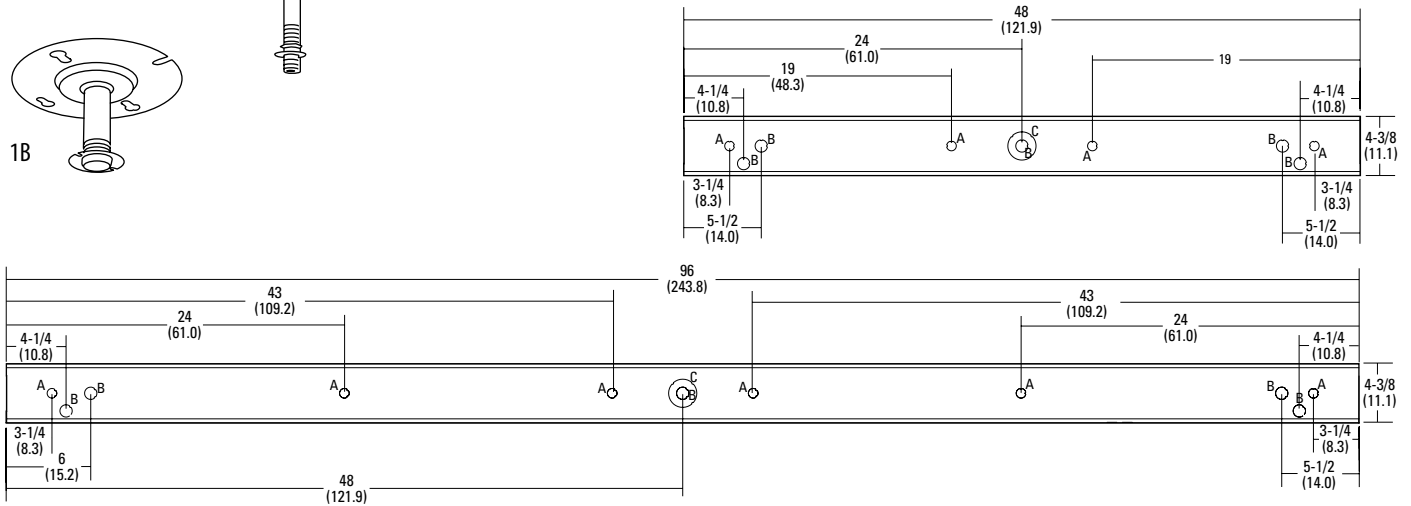
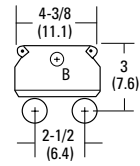
See ACCESSORIES below for hanging devices.



DIMENSIONS

Inches (centimeters). Subject to change without notice.

- A = 1 1/16 (18) Dia. K.O.
- B = 7/8 (22) Dia. K.O.
- C = 2 (51) Dia. K.O.



PHOTOMETRICS

Calculated using the zonal cavity method in accordance with IESNA LM41 procedure. Floor reflectances are 20%. Lamp configurations shown (2 54T5HO) are typical. All data based on 25°C. Full photometric data on these and other configurations available upon request.

UNS 2 96

Report: LTL12576

LUMENS PER LAMP: 6300

Luminaire Efficiency: 90.2%

Coefficients of Utilization

RCR	pf	20%								
		80%			50%			30%		
		70%	50%	30%	50%	30%	10%	50%	30%	10%
0	103	103	103	90	90	90	82	82	82	
1	92	86	82	75	72	69	68	66	63	
2	82	74	67	64	59	55	58	54	51	
3	74	64	56	56	49	44	51	46	41	
4	67	56	47	49	42	37	44	39	35	
5	62	49	41	43	37	31	39	34	29	
6	57	44	36	39	32	27	35	30	25	
7	52	40	32	35	28	24	32	26	22	
8	49	36	28	32	25	21	29	24	20	
9	45	33	25	29	23	19	27	21	18	
10	42	30	23	27	21	17	25	20	16	

Zonal Lumen Summary

Zone	Lumens	% Lamp	% Fixture
0° - 30°	1786	14.2	15.7
0° - 40°	3042	24.1	26.8
0° - 60°	5944	47.2	52.3
0° - 90°	9028	71.6	79.4
90° - 180°	2342	18.6	20.6
0° - 180°	11369	90.2	100.0