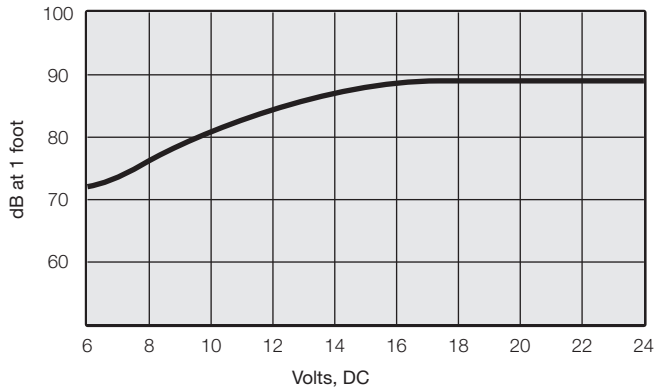


Electronic Signals

Overview

Lumatone signals have a non-irritating harmonic tone that demands attention in both quiet environments as well as areas with high background noise. Models are available with pulsating audio and steady or pulsating visual/audio signals.

Rugged solid state construction gives a rated life of 5,000 hours. No arcing, sparking or RF noise. Output of sound level can be varied by applied voltage (Min 80 dB at 1 foot with a voltage of 12Vdc is typical). Low power consumption makes them particularly suited for battery operated equipment and allows them to be turned on or off by low power integrated circuits, SCR's and transistors. High impact polystyrene case.



Decibels vs. Voltage for Lumatone Audio Signals
Typical at Normal Temperature

Standard Features

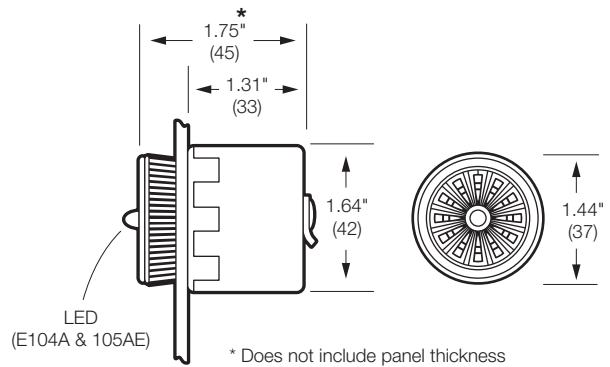
- **Low cost**
- **Small size, light weight**
- **Low power consumption**
- **Solid state, long life reliability**

Applications

Fire alarm panels, security systems, industrial equipment, computers, process control equipment, instrumentation, medical electronics, restaurant equipment, appliances, military, communications equipment, aircraft, automotive and temperature equipment.

Installation and Mounting

Unscrew front housing and insert threaded portion through 1-5/32" hole punched in panel. Screw front housing back on. Lumatone can accommodate panel thicknesses up to 3/16".



Lumatone™ Audio/Visual Signals



CONTINUES... >>>

Electronic Signals

»» CONTINUED...

Ordering Information

All E100 Series Lumatone have to follow specifications

- Operating Voltage 6 to 28 Vdc
- Tone frequency 2.8 Khz. typical
- Operating temperature 0°C to 55°C (32°F to 131°F)

Cat. No.	Description	VA Rating		Max. Operating Current (mA)		Min. dBA @ 1 ft.		Luminous Intensity of LED (@ 12Vdc)	Pulsing Rate (Counts/Minute)	
		@12Vdc	@24Vdc	@12Vdc	@24Vdc	@12Vdc	@24Vdc		@12Vdc	@24Vdc
E102A	Steady audio signal. Terminal connections.	0.12	0.44	10	18	80	90	N/A	N/A	N/A
E103A	Pulsating audio signal. Solid state switching. Terminal connections.	0.12	0.44	10	18	80	90	N/A	90	60
E104A	Steady visual/ audio signal. Terminal connections.	0.20	0.75	16	30	80	90	1.3 mcd	N/A	N/A
E105AE	Pulsating visual/audio signal. Solid state switching. Terminal connections.	0.20	0.75	16	30	80	90	1.3 mcd	90	60