



## Main

Product or Component Type	Synchronous motor
Device short name	BMP
Maximum mechanical speed	3600 rpm
Nominal output power	2000 W ATV32 2.2 kW 200 V single phase 2000 W ATV320 2.2 kW 200 V single phase
Nominal torque	56.38 Lbf.in (6.37 N.m) ATV32 2.2 kW 200 V single phase 56.38 lbf.in (6.37 N.m) ATV320 2.2 kW 200 V single phase
Nominal speed	3000 rpm ATV32 2.2 kW 200 V single phase 3000 rpm ATV320 2.2 kW 200 V single phase
Product compatibility	Variable speed drive ATV32 2.2 kW 200 V single phase Variable speed drive ATV320 2.2 kW 200...240 V single phase
Shaft end	Keyed
IP Degree of Protection	IP65 standard IP67 with IP67 kit
Holding brake	Without
Mounting Support	International standard flange
Electrical Connection	Rotatable right-angled connector

## Complementary

Range Compatibility	Altivar Machine ATV320 Altivar 32
[Us] rated supply voltage	230 V
Phase	Single phase
Maximum current Irms	16.5 A ATV32 2.2 kW 200 V single phase[RETURN]16.5 A ATV320 2.2 kW 200 V single phase
Nominal operating frequency	250 Hz ATV32 2.2 kW 200 V single phase 250 Hz ATV320 2.2 kW 200 V single phase
Minimum operating frequency	25 Hz ATV32 2.2 kW 200 V single phase 25 Hz ATV320 2.2 kW 200 V single phase
Maximum operating frequency	300 Hz ATV32 2.2 kW 200 V single phase 300 Hz ATV320 2.2 kW 200 V single phase
Shaft diameter	0.94 in (24 mm)
Shaft length	1.97 in (50 mm)
Key width	0.31 in (8 mm)
Motor flange size	5.51 in (140 mm)
Torque constant	0.82 N.m/A 104 °F (40 °C)
Number of motor poles	5
Number of motor stacks	1
Rotor inertia	16.46 kg.cm <sup>2</sup>
Stator resistance	0.2 Ohm 104 °F (40 °C)
Stator inductance	1.76 mH for q-axis winding 104 °F (40 °C) 1.47 mH for d-axis winding 104 °F (40 °C)
Maximum radial force Fr	1930 N 1000 rpm 1530 N 2000 rpm 1340 N 3000 rpm
Maximum axial force Fa	0.2 x Fr
Type of cooling	Natural convection

Length	5.98 in (152 mm)
Centring collar diameter	5.12 in (130 mm)
Centring collar depth	0.14 in (3.5 mm)
Number of mounting holes	4
Mounting holes diameter	0.43 in (11 mm)
Circle diameter of the mounting holes	6.50 in (165 mm)
Net Weight	17.64 lb(US) (8 kg)

## Ordering and shipping details

Category	18282-LEXIUM 32 MOTORS
Discount Schedule	PC53
GTIN	3606480564482
Returnability	No
Country of origin	DE

## Packing Units

Unit Type of Package 1	PCE
Number of Units in Package 1	1
Package 1 Height	10.43 in (26.5 cm)
Package 1 Width	7.87 in (20.0 cm)
Package 1 Length	23.43 in (59.5 cm)
Package 1 Weight	21.35 lb(US) (9.684 kg)
Unit Type of Package 2	P06
Number of Units in Package 2	4
Package 2 Height	30.31 in (77.0 cm)
Package 2 Width	31.50 in (80.0 cm)
Package 2 Length	23.62 in (60.0 cm)
Package 2 Weight	104.14 lb(US) (47.236 kg)

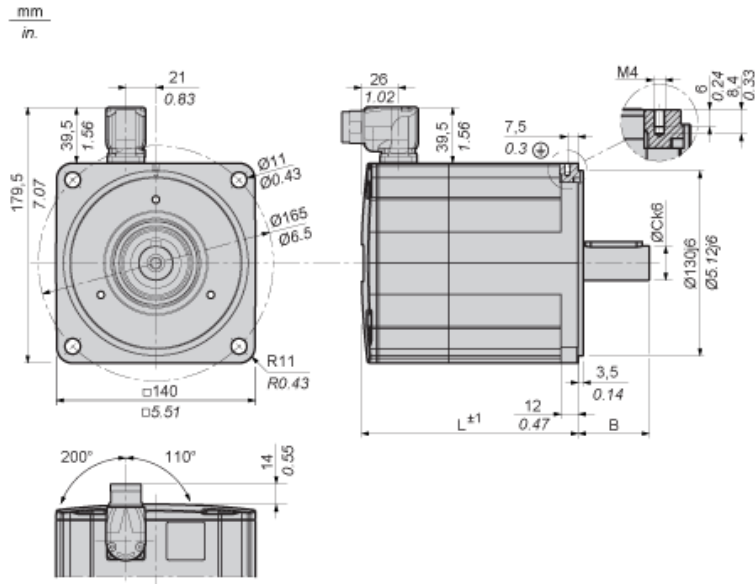
## Offer Sustainability

California proposition 65	WARNING: This product can expose you to chemicals including: Lead and lead compounds, which is known to the State of California to cause cancer and birth defects or other reproductive harm. For more information go to <a href="http://www.P65Warnings.ca.gov">www.P65Warnings.ca.gov</a>
REACH Regulation	<a href="#">REACH Declaration</a>
EU RoHS Directive	Pro-active compliance (Product out of EU RoHS legal scope)
Mercury free	Yes
China RoHS Regulation	<a href="#">China RoHS Declaration</a>
RoHS exemption information	<a href="#">Yes</a>
WEEE	The product must be disposed on European Union markets following specific waste collection and never end up in rubbish bins.
PVC free	Yes

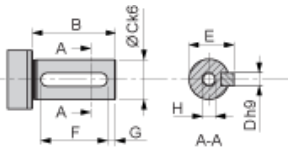
## Contractual warranty

Warranty	18 months
----------	-----------

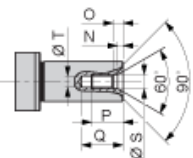
Dimensions



Parallel Key According to DIN 6885 A



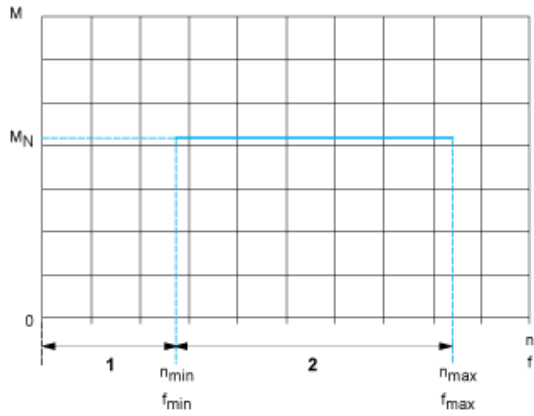
Female Thread of Shaft According to DIN 332-D



L	mm	152
in.	5.98	
B	mm	50
in.	1.97	
C	mm	24
in.	0.94	
D	mm	8
in.	0.31	
E	mm	27
in.	1.06	
F	mm	40
in.	1.57	
G	mm	5
in.	0.20	

H		M8
N	mm	3.3
in.	0.13	
O	mm	6
in.	0.24	
P	mm	19
in.	0.75	
Q	mm	25
in.	0.98	
S	mm	8.4
in.	0.33	
T	mm	6.8
in.	0.27	

Performance curves



- M : Torque in Nm
- n : Speed in rpm
- f : frequency in Hz
- 1 : Only permissible during acceleration and deceleration phases.
- 2 : Continuous operation with the default values from the configuration file.