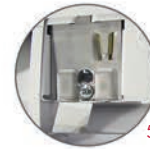
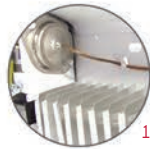


OFM Electric Baseboard Heater



Features

Color

- Standard: white, almond.
- Optional: metallic silver, bronze, metallic charcoal, textured black, beige-grey, aluminum, semi-gloss black (10% upcharge).
- Custom colors available upon request.

Finish

- Standard: epoxy/polyester powder paint.
- May be repainted with any interior paint.

Voltage

- 120V, 208V, 240/208V, 277V, 347V, 480V, 600V, 1-phase.

Construction

- 20-gauge steel connection box.
- 22-gauge steel body.
- 20-gauge steel front panel.
- Rounded upper corners.
- Linear high-limit temperature control with automatic reset. **1**

Heating element

- Stainless steel tubular heating element with aluminum fins. **2**
- Floating heating element on high-temperature nylon bushings eliminating expansion noises. **3**

Watt density

- Average standard watt density of 275W/ft. (900W/m).
- Average low watt density of 200W/ft. (650W/m).

Control

- A wide selection of built-in thermostats available.
- Built-in thermostat kit can be installed at either end.
- Built-in relay kit fits in the right end box only.
- A compartment for low voltage connections (located directly under the junction box) facilitates the installation of low voltage relay in electric baseboard.

Ouellet highly recommends the use of an electronic wall thermostat for greater comfort.

Installation

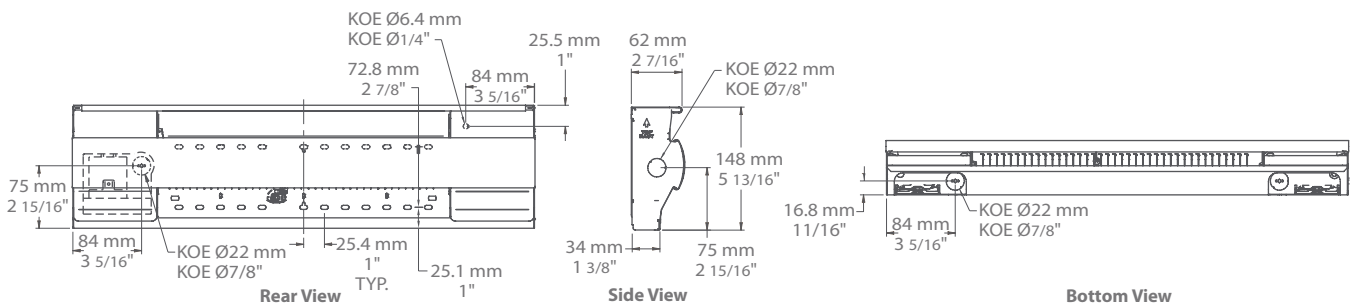
- Installation directly on the floor.
- Connection box at both ends of the heater. **4**
- Single-screw built-in wire holder. **5**
- Raceway for ease of installation.
- Two rows of mounting holes spaced on 1 in. (25.4 mm) intervals for ease of installation.
- Variety of accessories available for wall-to-wall installation.

Warranty

- 1-year warranty against defects.
- Heating element has a lifetime warranty for the initial end user.

Application

- Kitchen, living room, family room, bedroom, bay window, basement.



Average Standard Watt Density Models 275W/ft. (900W/m)

Watts	Watts		Product #				Length		Weight	
	240/208V	120V	208V	240/208V	347V	600V	in.	mm	lb	kg
300	300/225	OFM0302	OFM0308	OFM0300	-	-	22 5/16	566	4.5	2.0
500	500/375	OFM0502	OFM0508	OFM0500	OFM0507	-	27 3/16	691	5.5	2.5
750	750/563	OFM0752	OFM0758	OFM0750	OFM0757	OFM0756	37 3/16	945	7.3	3.3
1000	1000/750	OFM1002	OFM1008	OFM1000	OFM1007	OFM1006	47 1/2	1206	9.0	4.0
1250	1250/938	OFM1252	OFM1258	OFM1250	OFM1257	OFM1256	57	1447	10.5	4.8
1500	1500/1125	OFM1502	OFM1508	OFM1500	OFM1507	OFM1506	65 11/16	1668	12.0	5.5
1750	1750/1313	-	OFM1758	OFM1750	OFM1757	OFM1756	75	1905	13.5	6.2
2000	2000/1500	-	OFM2008	OFM2000	OFM2007	OFM2006	83 13/16	2128	15.0	6.8
2250 ¹	2250/1688 ¹	-	OFM2258	OFM2250	OFM2257	OFM2256	92 5/8	2353	16.5	7.5
2500 ¹	2500/1875 ¹	-	OFM2508	OFM2500	OFM2507	OFM2506	101 13/16	2585	18.0	8.2

Average Low Watt Density Models 200W/ft. (650W/m)

Watts	Watts		Product #				Length		Weight	
	240/208V	120V	208V	240/208V	347V	600V	in.	mm	lb	kg
300	300/225	OFM0302-691	OFM0308-691	OFM0300-691	-	-	27 3/16	691	5.5	2.5
500	500/375	OFM0502-945	OFM0508-945	OFM0500-945	OFM0507-945	-	37 3/16	945	7.3	3.3
750	750/563	OFM0752-1206	OFM0758-1206	OFM0750-1206	OFM0757-1206	OFM0756-1206	47 1/2	1206	9.0	4.0
1000	1000/750	OFM1002-1447	OFM1008-1447	OFM1000-1447	OFM1007-1447	OFM1006-1447	57	1447	10.5	4.8
1250	1250/938	OFM1252-1668	OFM1258-1668	OFM1250-1668	OFM1257-1668	OFM1256-1668	65 11/16	1668	12.0	5.5
1500	1500/1125	OFM1502-2128	OFM1508-2128	OFM1500-2128	OFM1507-2128	OFM1506-2128	83 13/16	2128	15.0	6.8
1750 ¹	1750/1313 ¹	-	OFM1758-2353	OFM1750-2353	OFM1757-2353	OFM1756-2353	92 5/8	2353	16.5	7.5
2000 ¹	2000/1500 ¹	-	OFM2008-2585	OFM2000-2585	OFM2007-2585	OFM2006-2585	101 13/16	2585	18.0	8.2
2250 ¹	2250/1688 ¹	-	OFM2258-2585	OFM2250-2585	OFM2257-2585	OFM2256-2585	101 13/16	2585	18.0	8.2

Options

Product #	Description	Factory Installed	Kit
OFM-CI	Corners (inside and outside)	-	✓
OFM-DIS20	Disconnect switch, double-pole, 20A at 250V max.	✓	✓
OFM-JT	Splice plate 3 9/16 in. (90 mm)	-	✓
OFM-RO1	Baseboard section 6 in. (152 mm) - Surface-mount 5-15R receptacle - 15A at 120V	-	✓
OFM-RO2	Baseboard section 6 in. (152 mm) - 240V splitter box toward a surface-mount, 6-20R receptacle (20A switch, double-pole, double-throw)	-	✓
OFM-RO2B	Baseboard section 6 in. (152 mm) - Surface-mount 6-20R receptacle - 240V	-	✓
OFM-R-347	Single-pole relay, coil 24V, without transformer: 22A at 120V, 208V, 240V - 18A at 347V	✓	✓
OFM-R-600	Single-pole relay, coil 24V, without transformer, 10A at 600V	✓	✓
OFM-RT-120 ³	Single-pole relay, coil 24V, with transformer 120V/24V, 25A at 120V (2-wire only)	✓	✓
OFM-RT-208	Single-pole relay, coil 24V, with transformer 208V/24V, 22A at 208V	✓	✓
OFM-RT-240	Single-pole relay, coil 24V, with transformer 240V/24V, 22A at 240V	✓	✓
OFM-RT-277	Single-pole relay, coil 24V, with transformer 277V/24V, 19A at 277V	✓	✓
OFM-RT-347	Single-pole relay, coil 24V, with transformer 347V/24V, 18A at 347V	✓	✓
OFM-RT-600 ³	Single-pole relay, coil 24V, with transformer 600V/24V, 10A at 600V (2-wire only)	✓	✓
OFM-240SPLITTER	Baseboard section 6 in. (152 mm) - 240V splitter box to permanently connect an air conditioner (20A switch, double-pole, double-throw)	-	✓
OFM-SR	Baseboard section 6 in. (152 mm) for the installation of a 24V relay (relay not included)	-	✓
OFM-TB6	Single-pole bi-metal thermostat: 25A at 120V, 208V, 240V, 277V - 10A at 347V, 480V, 600V	✓	✓
OFM-TB26 ²	Double-pole bi-metal thermostat: 25A at 120V, 208V, 240V, 277V - 10A at 347V, 480V, 600V	✓	✓
OFM-TB6-AV	Single-pole bi-metal tamperproof thermostat: 25A at 120V, 208V, 240V, 277V - 10A at 347V, 480V, 600V	✓	✓
OFM-TB26-AV ²	Double-pole bi-metal tamperproof thermostat: 25A at 120V, 208V, 240V, 277V - 10A at 347V, 480V, 600V	✓	✓
OFM-THRF-KLE-XX ⁴	Wireless thermostat and relay (max. 240V), installed at left end, English display	✓	-
OFM-THRF-KLF-XX ⁴	Wireless thermostat and relay (max. 240V), installed at left end, French display	✓	-
OFM-THRF-KRE-XX ⁴	Wireless thermostat and relay (max. 240V), installed at right end, English display	✓	-
OFM-THRF-KRF-XX ⁴	Wireless thermostat and relay (max. 240V), installed at right end, French display	✓	-
OFM-THRF-ML-XX ⁴	Wireless relay module, installed at left end	✓	-
OFM-THRF-MR-XX ⁴	Wireless relay module, installed at right end	✓	-
OFM-TRIAC-347	Single-pole electronic relay, coil 24V, without transformer, 15A at 347V max.	✓	✓
OFM-TRIAC-347T	Single-pole electronic relay, coil 24V, with transformer: 15A at 208V, 240V, 277V, 347V	✓	✓
OFM-TRIAC-600	Single-pole electronic relay, coil 24V, without transformer, 10A at 600V max.	✓	✓

¹These models must be ordered in pairs to reduce shipping damages.

²"Off" position.

³These 2-wire relays with transformer can't supply of 3-wire low voltage thermostats.

⁴XX = Length (mm) of the OFM unit. Ex.: OFM-THRF-KLE-566 for OFM0300BL. See features at page 102.

Add "BL" for white, "AM" for almond. Optional colors shown in the color chart section (page 105) are available with a 10% upcharge.

Other voltages available upon request.

For options available as factory installed and kit, if not mentioned on the order, will automatically be shipped as a kit.