

ZBRT2

Transmitter for wireless and batteryless push button, Harmony XB5R, plastic, black, double action



Main

| | |
|---------------------------|--------------------------------------|
| Range of Product | Harmony XB5 |
| Product or Component Type | Wireless and batteryless transmitter |
| Device short name | XB5R |
| Bezel material | Plastic |
| Mounting diameter | 0.87 in (22 mm) |
| Transmission frequency | 2405 MHz |
| Emission class | 5M00G7W |
| Antenna type | Omnidirectional |

Complementary

| | |
|-----------------------------|--|
| Max power consumption in W | 1 mW |
| Number of Channels | 16 |
| Modulation technique | O-QPSK |
| Bandwidth | 5 MHz |
| Antenna gain | 0 dBi |
| Embedding Depth | 1.65 in (42 mm) |
| CAD overall height | 1.63 in (41.5 mm) |
| CAD overall width | 1.18 in (30 mm) |
| CAD overall depth | 1.69 in (43 mm) |
| Net Weight | 0.06 lb(US) (0.025 kg) |
| Operating travel | 0.17 in (4.3 mm) total travel) |
| Operating force | 10 N C/O changing electrical state |
| Mechanical robustness | Free fall resistance 1000 mm IEC 60068-2-32 |
| Standards | CSA C22.2 No 14 IEC 60947-1 IEC 60947-5-1 UL 508 |
| Radio agreement | ANATEL ARIB T66 FCC ICASA RSS |
| Communication port protocol | Zigbee green power 2.4 GHz IEEE 802.15.4 |
| Maximum sensing distance | 328.08 Ft (100 m) in free field 82.02 Ft (25 m) transmitter in a plastic box type XAL D and receiver in a metal enclosure 984.25 ft (300 m) transmitter in box type XAL D, receiver in metal enclosure and use relay-antenna |
| Acquisition time | 2 ms |
| Response time | < 2 ms |
| Fixing mode | Fixing nut beneath head 17.70...21.24 lbf.in (2...2.4 N.m) |
| Electrical composition code | PW1 |

The information provided in this documentation contains general descriptions and/or technical characteristics of the performance of the products contained herein. This documentation is not intended as a substitute for and is not to be used for determining suitability or reliability of these products for specific user applications. It is the duty of any such user or integrator to perform the appropriate and complete risk analysis, evaluation and testing of the products with respect to the relevant specific application or use thereof. Neither Schneider Electric Industries SAS nor any of its affiliates or subsidiaries shall be responsible or liable for misuse of the information contained herein.

Environment

| | |
|---------------------------------------|--|
| Ambient Air Temperature for Storage | -40...158 °F (-40...70 °C) |
| Ambient Air Temperature for Operation | -40...158 °F (-40...70 °C) |
| Relative humidity | 95 % -40...158 °F (-40...70 °C) without condensation |
| IP degree of protection | IP30 IEC 60529 back face) |
| IK degree of protection | IK03 IEC 50102 |
| Mechanical durability | 400000 cycles |
| Shock resistance | 25 gn 6 ms) 6000 shocks IEC 60068-2-27 30 gn 18 ms) half sine wave acceleration IEC 60068-2-27 50 gn 11 ms) half sine wave acceleration IEC 60068-2-27 |
| Vibration resistance | 5 gn 11...500 Hz)IEC 60068-2-6 +/- 10 mm 2...11 Hz)IEC 60068-2-6 |
| Electromagnetic compatibility | Electrostatic discharge immunity test - test level: 8 kV (in free air (in insulating parts)) conforming to IEC 61000-4-2 Electrostatic discharge immunity test - test level: 4 kV (on contact (on metal parts)) conforming to IEC 61000-4-2 Susceptibility to electromagnetic fields - test level: 20 V/m (80...3000 MHz) conforming to IEC 61000-4-3 Susceptibility to electromagnetic fields - test level: 6 V/m (3000...6000 MHz, distance = 20 m) conforming to IEC 61000-4-3 |
| Product Certifications | CSA[RETURN]CCC[RETURN]UL[RETURN]GOST[RETURN]C-tick[RETURN]BT 2006/95/EC |
| Directives | 2004/108/EC - electromagnetic compatibility 1999/5/EC - R&TTE directive |

Ordering and shipping details

| | |
|-------------------|---------------------------------|
| Category | 22470-XB5R WIRELESS PUSH BUTTON |
| Discount Schedule | I |
| GTIN | 3606480659928 |
| Returnability | Yes |
| Country of origin | FR |

Packing Units

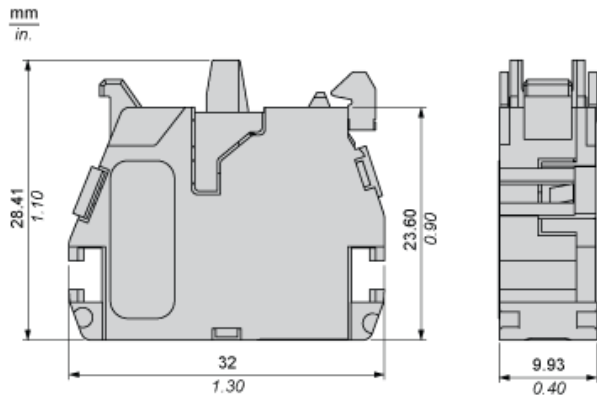
| | |
|------------------------------|------------------------|
| Unit Type of Package 1 | PCE |
| Number of Units in Package 1 | 1 |
| Package 1 Height | 1.85 in (4.7 cm) |
| Package 1 Width | 2.13 in (5.4 cm) |
| Package 1 Length | 2.44 in (6.2 cm) |
| Package 1 Weight | 1.20 oz (34.0 g) |
| Unit Type of Package 2 | S01 |
| Number of Units in Package 2 | 42 |
| Package 2 Height | 5.91 in (15.0 cm) |
| Package 2 Width | 5.91 in (15.0 cm) |
| Package 2 Length | 15.75 in (40.0 cm) |
| Package 2 Weight | 3.53 lb(US) (1.601 kg) |

Offer Sustainability

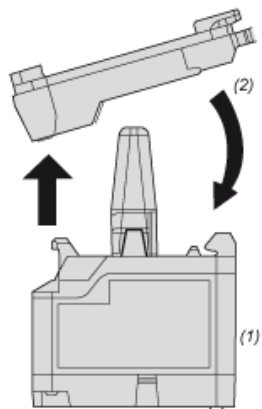
| | |
|---------------------------|---|
| Sustainable offer status | Green Premium product |
| California proposition 65 | WARNING: This product can expose you to chemicals including: Lead and lead compounds, which is known to the State of California to cause cancer and birth defects or other reproductive harm. For more information go to www.P65Warnings.ca.gov |
| REACH Regulation | REACH Declaration |
| EU RoHS Directive | Pro-active compliance (Product out of EU RoHS legal scope) |
| China RoHS Regulation | China RoHS Declaration |
| Environmental Disclosure | Product Environmental Profile |
| Circularity Profile | End Of Life Information |

| | |
|--------------|--|
| WEEE | The product must be disposed on European Union markets following specific waste collection and never end up in rubbish bins. |
| PVC free | Yes |
| Silicon free | Yes |

Dimensions Drawings



Mounting of the Transmitter onto the Body Fixing Collar



- (1): ZBRT1
- (2): Body fixing collar