



Main

Range of product	Modicon M171
Product or component type	Display module
Display colour	Monochrome
Supply	External source

Complementary

Display type	LCD screen
Number of key	8
Colour	Grey
[Us] rated supply voltage	12 V DC
Power consumption in W	5 W 0 W
Marking	CE
Realtime clock	With
Local signalling	LCD display
Product compatibility	Logic controller M171 optimized
Height	6.30 in (160 mm)
Width	3.78 in (96 mm)
Depth	0.39 in (10 mm)
Net weight	0.04 lb(US) (0.017 kg)

Environment

Product certifications	CURus
IP degree of protection	IP40 front face:

Packing Units

Unit Type of Package 1	PCE
Number of Units in Package 1	1
Package 1 Weight	10.08 oz (285.9 g)
Package 1 Height	5.12 in (13 cm)

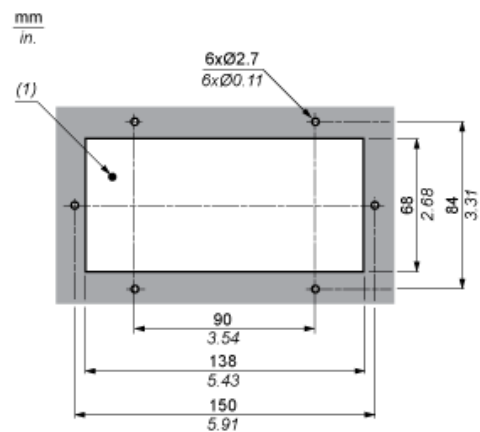
Package 1 width	3.58 in (9.1 cm)
Package 1 Length	7.28 in (18.5 cm)
Unit Type of Package 2	S02
Number of Units in Package 2	6
Package 2 Weight	4.45 lb(US) (2.02 kg)
Package 2 Height	5.91 in (15 cm)
Package 2 width	11.81 in (30 cm)
Package 2 Length	15.75 in (40 cm)

Offer Sustainability

RECh Regulation	REACH Declaration
RECh free of SVHC	Yes
EU RoHS Directive	Pro-active compliance (Product out of EU RoHS legal scope) EU RoHS Declaration
Mercury free	Yes
RoHS exemption information	Yes
China RoHS Regulation	China RoHS declaration
WEEE	The product must be disposed on European Union markets following specific waste collection and never end up in rubbish bins

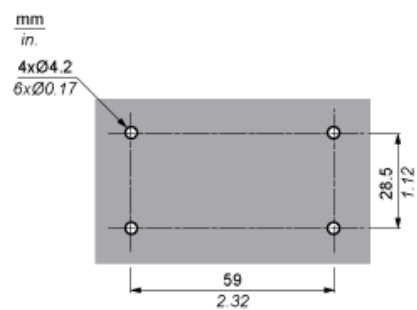
Mounting and Clearance

Panel Mounting

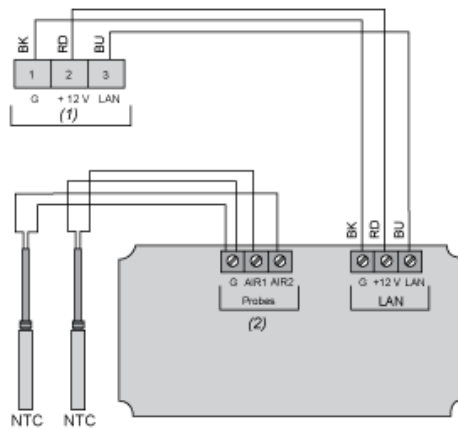


(1) Panel cut out

Wall Mounting

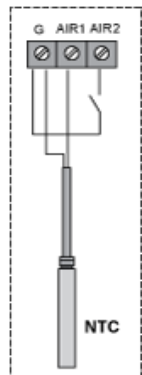


Wiring Diagram

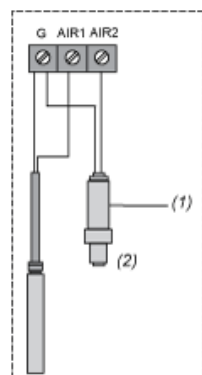


- (1) LAN Expansion bus
- (2) Analogue Inputs
- RD : Red
- BU : Blue
- BK : Black

Example NTC and Digital Input



Ex. Transducer



- (1) Power supply
- (2) Example Transducer