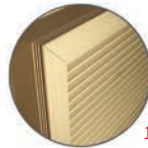


OAWH Architectural Aluminum Wall Fan Heater



With surface mounting box

Recessed



1



2



3



4

Features

Color

- Standard: white, almond, metallic silver, bronze, metallic charcoal, aluminum, semi-gloss black, sand.
- Custom colors available upon request.

Finish

- Standard: epoxy/polyester powder paint.
- Optional: anodized aluminum.

Voltage

- 120V, 208V, 240/208V, 277V, 347V, 480V, 600V, 1 or 3-phase.

Construction

- Extruded aluminum front grille, 1/8 in. (3.2 mm) thick. 1
- Bottom air outlet.
- High-limit temperature control with automatic reset.

Fan

- Closed, factory-lubricated motor.
- 160 cfm fan (single unit: 55 dBA); 2 X 160 cfm fan (double unit: 58 dBA), 3 X 160 cfm fan (triple unit: 61 dBA). 2
- Fan delay purges heater of residual heat.

Heating element

- Durable tubular heating element with fins. 3

Control

- Built-in tamperproof thermostat included. 4
- 24V relay, with or without transformer available.

Note: Thermostat is not included in heater with factory installed relay. Any remote thermostat or relay must be connected to the heater control terminal block.

Installation

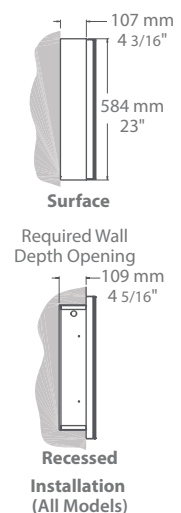
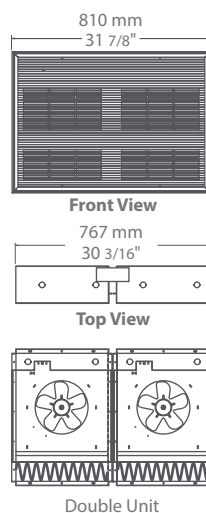
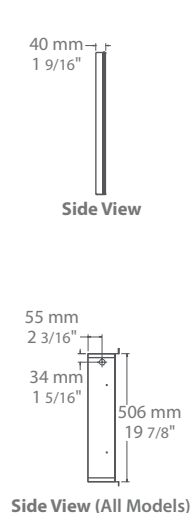
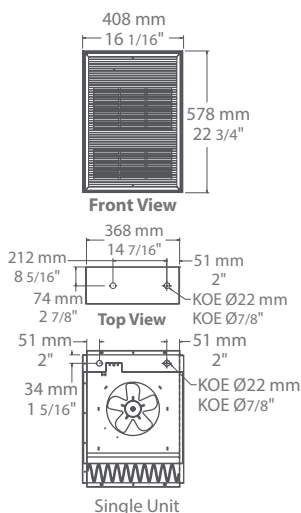
- Minimum clearance from the floor and adjacent walls: 10 in. (25.4 cm).
- Adaptor for surface mounting available.

Warranty

- 3-year warranty against defects.

Application

- Apartment building, commercial building, entrance way, stairwell, garage.



Watts	Volts (ph)	Product # ¹	Unit	Weight	
				lb	kg
1500	120 (1)	OAWH01502-TAV	single	24.0	10.9
2000	208 (1)	OAWH02008-TAV	single	24.0	10.9
4000	208 (1)	OAWH04008-TAV	single	24.0	10.9
4800	208 (1)	OAWH04808-TAV	single	24.0	10.9
6000	208 (3)	OAWH06038-TAV	triple	90.0	40.9
8000	208 (1)	OAWH08008-TAV	double	50.0	22.7
9000	208 (3)	OAWH09038-TAV	triple	90.0	40.9
12000	208 (1)	OAWH12008-TAV	triple	90.0	40.9
12000	208 (3)	OAWH12038-TAV	triple	90.0	40.9
1500/1125 ²	240/208 (1)	OAWH01500-TAV	single	24.0	10.9
2000/1500 ²	240/208 (1)	OAWH02000-TAV	single	24.0	10.9
3000/2250 ²	240/208 (1)	OAWH03000-TAV	single	24.0	10.9
4000/3000 ²	240/208 (1)	OAWH04000-TAV	single	24.0	10.9
4800/3600 ²	240/208 (1)	OAWH04800-TAV	single	24.0	10.9
6000/4500 ²	240/208 (1)	OAWH06000-TAV	double	50.0	22.7
8000/6000 ²	240/208 (1)	OAWH08000-TAV	double	50.0	22.7
12000/9000 ²	240/208 (1)	OAWH12000-TAV	triple	90.0	40.9
1500	347 (1)	OAWH01507-TAV	single	24.0	10.9
2000	347 (1)	OAWH02007-TAV	single	24.0	10.9
3000	347 (1)	OAWH03007-TAV	single	24.0	10.9
4000	347 (1)	OAWH04007-TAV	single	24.0	10.9
4800	347 (1)	OAWH04807-TAV	single	24.0	10.9
6000	347 (1)	OAWH06007-TAV	double	50.0	22.7
8000	347 (1)	OAWH08007-TAV	double	50.0	22.7
12000	347 (1)	OAWH12007-TAV	triple	90.0	40.9
1500	480 (1)	OAWH01504-TAV	single	28.0	12.7
2000	480 (1)	OAWH02004-TAV	single	28.0	12.7
3000	480 (1)	OAWH03004-TAV	single	28.0	12.7
4000	480 (1)	OAWH04004-TAV	single	28.0	12.7
4800	480 (1)	OAWH04804-TAV	single	28.0	12.7
6000	480 (1)	OAWH06004-TAV	double	50.0	22.7
8000	480 (1)	OAWH08004-TAV	double	50.0	22.7
12000	480 (1)	OAWH12004-TAV	triple	90.0	40.9
12000	480 (3)	OAWH12034-TAV	triple	90.0	40.9
1500	600 (1)	OAWH01506-TAV	single	28.0	12.7
2000	600 (1)	OAWH02006-TAV	single	28.0	12.7
3000	600 (1)	OAWH03006-TAV	single	28.0	12.7
4000	600 (1)	OAWH04006-TAV	single	28.0	12.7
4800	600 (1)	OAWH04806-TAV	single	28.0	12.7
6000	600 (1)	OAWH06006-TAV	double	50.0	22.7
6000	600 (3)	OAWH06036-TAV	triple	90.0	40.9
8000	600 (1)	OAWH08006-TAV	double	50.0	22.7
9000	600 (3)	OAWH09036-TAV	triple	90.0	40.9
12000	600 (1)	OAWH12006-TAV	triple	90.0	40.9
12000	600 (3)	OAWH12036-TAV	triple	90.0	40.9

Options

Product # Kit	Product # Factory installed*	Description
KIT-OAWH-BSA	-	Surface mounting box, single unit
KIT-OAWH-BSA2	-	Surface mounting box, double unit
KIT-OAWH-BSA3	-	Surface mounting box, triple unit
KIT-OAWH-DIS20 ³	DIS20 ³	Disconnect switch, double-pole, 20A at 277V and less
KIT-OAWH-DIS40 ³	DIS40 ³	Disconnect switch, triple-pole, 40A at 600V max.
KIT-OAWH-DIS80 ³	DIS80 ³	Disconnect switch, triple-pole, 80A at 600V max.
-	IV	Fan switch
-	R ⁴	24V control relay, without transformer
-	RT ⁴	24V control relay, with transformer

* For factory installed options, add the option number to the product number. See the **Product Code** section inside the front cover.

¹ Built-in tamperproof thermostat included.

² 208V = 75% of wattage at 240V.

³ For the U.S. only: The nominal current of the unit must not exceed 80% of the capacity of the disconnect.

⁴ If the built-in thermostat is not required with the 24V control relay, remove the "T" from the product number (E.g.: OAWH04006-RT).

Add "BL" for white, "AM" for almond, "AE" for metallic silver, "BZ" for bronze, "CM" for metallic charcoal, "AL" for aluminum, "NL" for semi-gloss black, «SA» for sand. 277V available upon request.