

CONVECTAIR Opera

(A 7720 in USA) 7720 C07-C12-C15



Installation and operation notice

Read before operating / installing, do not discard

CHARACTERISTICS

Your new Opera heater is designed to heat your playroom, livingroom, sun room, washroom and even heat up your towels before or after use. Opera diffuses a gentil but, powerfull radiant heat controled by a precise electronique thermostat. Use the optional CONVECTAIR programmer and get full automatic control of your confort, economy and frost protection modes.

PLANNING THE INSTALLATION

Caution: this unit must be connected to a 240 volts or 208 volts , 60 Hz. Disconnect the power supply before making wiring connections. **CONVECTAIR recommends that Opera be installed by a qualified electrician, in accordance with national local codes.**

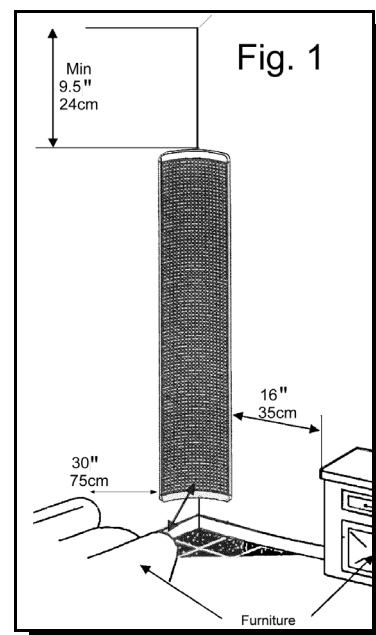
Note: If it is required to control other units from the controller on the Opera, the cable installation must be made using a 3/12 plus a ground or use a duel cable 2/18 FAS 105 use both conductors.

1. Opera shall be installed no lower than 6" (13 cm) from the ground.
2. Determine the location where Opera is to be installed, insure that there are no restrictions to the minimum clearances permitted (**Fig. 1**).
3. The electrical connection for the Opera shall be made in a rectangular junction box that has been pre-installed in the wall (**Fig. 4**). The junction box shall be of appropriate dimensions to accommodate the cables . 2 3/4"x4 1/2" (7cm x 11.5cm).

INSTALLATION

It is important to respect the clearances and installation height for the Opera. Opera must be installed no less than 6" (13 cm) from ground level. Minimum head clearance is 9.5" (24 cm), forward clearance is 30" (75 cm), and side clearance is 16" (35 cm) (**Fig. 1**).

1. Position the mounting bracket up against the corner, use the spacers provided to position the bracket the correct distance from the corner (**Fig.2**).
2. Make sure the mounting bracket is level mark and drill 5 holes for the mounting bracket (**Fig. 2**). It is recommended that "E-Z" anchors be used prior to screwing into the wall, thus supporting the mounting bracket. Note, the first screw from the bottom will be at 13.5" (34 cm) from ground level.
3. Place the unit on the left side of the mounting bracket, insert the two hitches top and bottom in the slots on the back side of the unit (**Fig. 4**).
4. Pivot unit until it locks into place (**Fig.3**).



ELECTRICAL CONNECTIONS

Caution: this unit must be connected to a 240 volts or 208 volts , 60 Hz. Disconnect the power supply before making wiring connections. **CONVECTAIR recommends that Opera be installed by a qualified electrician, in accordance with national local codes.**

The electrical connection for this unit must be made in a junction box that is pre installed (correct location) in the wall.

1. Connect the ground (copper) wire to the green wire with wire connectors (not included).
2. Connect the units black wire with the black wire from the wall (Electrical network).
3. Connect the units Red wire with the Red (**white in USA 240 V or 208 V**) wire coming out of the wall.
4. On the wire coming our of Opera there will be a 4th wire wich is purple (**Blue in USA**), the end of this wire is sealed. Do not use this wire for any electrical connection. This wire (pilot wire) is used only if you are using a Convectair Programmer.
5. Carefully place wires in the junction box and screw on the cover.
6. Re-pivot the Opera (**Fig.3**) and lock in position.

OPERATION

The "OFF/On" switch is on the control panel of the Opera. To activate the unit slide the switch to the "ON" position (**Fig. 3.1 - C**).

The operation status of the unit can be observed by the green luminescent indicator on the left of the switch.

SETTING THE THERMOSTAT

The thermostat setting dial located on the control box, (**Fig. 3.1 - B**) is accessible when the protective cover is open. To set the thermostat adjust the selector to the desired comfort level (Between 6 and 9). If, after 1 hour the setting is not satisfactory, turn the dial to the left or right to raise or lower the set point temperature.

(**Fig. 3.1 - B**).

MODE SELECTOR

The mode selector on the control box has 4 different positions (**Fig. 3.1 - A**):



Programming : Used only if Convectair programmer is installed and the unit is connected via pilot wire (Optional). Permits auto setback and comfort.



Comfort : Thermostat is on manual control, user sets temperature manually. Use this mode all the time unless you have specific conditions



Economy : This function is used to lower the temperature by 4°C from the set point at comfort level. This is a setting that is used for evenings to lower temperature in that room.



Frost protection: Keeps ambient temperature at 8°C . Use for more than 48 hours of absence. Not recommended for very cold temperatures.

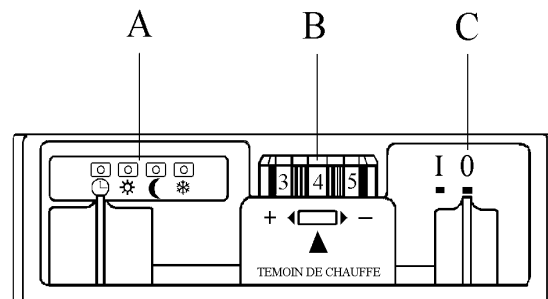
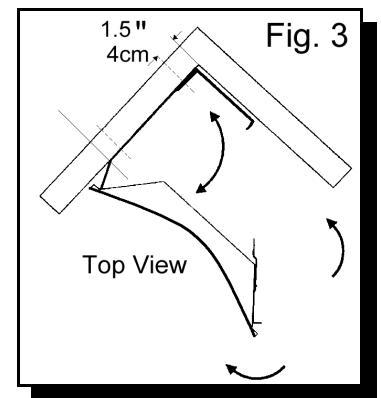
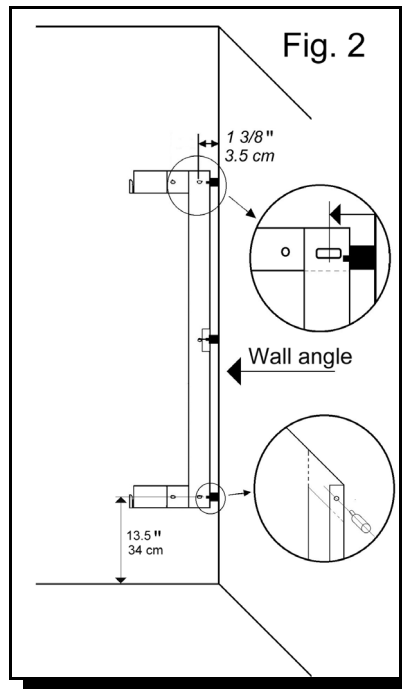


Fig 3.1

+46°F +50°F +54°F +57°F +61°F +64°F +68°F +72°F +75°F +79°F +82°F
1 2 3 4 5 6 7 8 9 Max
 +8°C +10°C +12°C +14°C +16°C +18°C +20°C +22°C +24°C +26°C +28°C

MAINTENANCE

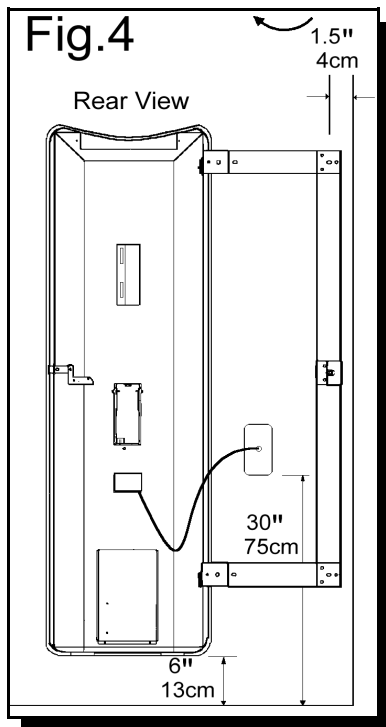
To keep your unit clean, regular maintenance is suggested. To remove dust, use a soft cloth. To remove a stain, use a damp cloth. Never use abrasive products which could damage finish.

After a while, the unit may shut off even if the heater is not clogged up. In such case the unit may require internal cleaning. Please contact one of our repair centers or call CONVECTAIR.

WARNING: In certain cases, the grille may become yellow after a while. This phenomenon is not due to a manufacturing defect. It is caused by the smoke or suspended particles present in the surrounding air, heated and blown out through the grille. This coloration can be reduced by cleaning the grille on a weekly basis

PREVENTION

It is recommended to frequently clean the grille in the front of the unit especially in areas where smoke and dust are present. Never use unit during construction or other activities that generate high amounts of dust particles.



NOTE

During the first time operation of the unit, it is possible that a slight odor and smoke are expelled from your Opera. This phenomenon is normal that shall cease after a few minutes of use.

IF YOUR OPERA DOES NOT WORK:

Prior to calling an electrician, please start by performing the following TESTS:

1. Make sure that the circuit breaker (In the Main circuit box) is in the "ON" position
2. Make sure that your thermostat and switch are in the "ON" position.
3. Adjust the thermostat to the maximum power level.
4. ***If after all these tests, the unit does not work. Shut power "OFF" wait 5 minutes, then repeat steps 1 to 3. If after all this the unit does not work, you may now call your electrician or Convectair.***

WARRANTY

- 2 years against all defects
- 5 years on heating element

All CONVECTAIR units are subject to a double warranty: 2 years on all parts and manufacturing defects and 5 years on the heating element itself. Warranty is applicable from date of purchase by the customer and under certain specific conditions. All details furnished with each unit. Please keep your invoice (purchase or installation).

REPAIR CENTERS:

To find your nearest repair center please call CONVECTAIR.

Montreal: (450) 433-5701

Toll-free from Canada and USA: 1-800-463-6478.

Fax :1 877 434-3166

support@convectair.com

Web: www.convectair.com

CONVECTAIR

30 Place Sicard, Sainte-Thérèse, Québec, Canada J7E 3X6

Tel: 1-800-463-6478 Fax: 450-434-3166

Courriel : support@convectair.ca Internet: www.convectair.ca