



180, 3rd Avenue, L'Islet, Quebec, G0R 2C0, CANADA
 Tel.: (418) 247-3947, 1-800-463-7043 Fax: (418) 247-7801
www.ouellet.com

INSTRUCTIONS “OAU” Series

This heater meets the requirements of corrosion and hose down of the CSA #94 standard. Designed for use in environments of category 1 and 2 according to the Canadian Electrical Code.



WARNING



This instruction contains the necessary information for the installation, use and effective operation of this product. Not following guidelines of this instruction and the rules of basic safety when using electrical appliances can cause fire, electric shock, serious injury, death or property damage. You should always keep this instruction in order, to ensure safe operation. The manufacturer cannot be held responsible for anything and warranty will be invalid if the installer and the user does not meet the guidelines of this instruction.

This product must be used in accordance with electrical codes and building codes in your area.

IMPORTANT INSTRUCTIONS

When installing and using electrical appliances, basic precautions should always be followed to reduce the risk of fire, electric shock, and injury to persons, including the following:

- 1- Read carefully these instructions before installing and using this heater.
- 2- Remove the power at the source before handling the internal circuits.
- 3- Do not operate the heater without fixing it to its support.
- 4- This heater is hot when in use. To avoid burns, do not let bare skin touch hot surfaces. Keep the front, back and sides of the unit clear at all times.

Respect distances and positions mentioned in the “INSTALLATION INSTRUCTIONS” section. See Figures 1 for minimum clearances.

- 5- Extreme caution is necessary when any heater is used by or near children or invalids and whenever the heater is left operating and unattended.
- 6- A heater has hot and arcing or sparking parts inside. This heater is not intended and not approved for:
 - Use in area that contain flammable liquids, combustible materials or extremely corrosive, abrasive, chemical, explosive, such as but not limited to, paint, gasoline, chlorine, sawdust and cleaning products. Example: marine, water treatment plants and chemical storage areas.
 - Do not use to heat air with combustible materials in suspension.
 - An outdoor use.

If you need to heat a location with the characteristics listed above, purchase a heater designed for those applications. We recommend that you check what kind of product is suitable for your application with your insurance company, CSA or other certification and/or consult electrical codes and building codes in your area.

Make sure the heater is appropriate for the intended use (if needed, refer to a specialist in heating).

The manufacturer does not warrant these products when used in inappropriate places and will not be liable in any way related to poor selection of the heating product.

- 7- Use this heater only as described in this manual. Any other use not recommended by the manufacturer may cause fire, electric shock, or injury to persons.
- 8- Do not insert or allow foreign objects to enter any ventilation or exhaust opening as this may cause an electric shock or fire, or damage the heater.
- 9- To prevent a possible fire, do not block air intakes or exhaust in any manner.
- 10- Protect the heater with the appropriate circuit breaker or fuse, in accordance with the nameplate.
- 11- Make sure the supply voltage (Volts) corresponds to the one indicated on the nameplate.
- 12- If the installer or the user modifies the product in any way, he will be liable for any damage resulting from this modification and CSA certification could be void.
- 13- The thermostat should not be considered an infallible device in cases where maintaining a temperature is considered critical. Examples: Hazardous material storage, computer server room, etc. In these particular cases, it is imperative to add a monitoring system to avoid the consequences of a thermostat failure.
- 14- The “GX” model is equipped with a factory installed manual reset limit, located under the cover of the junction box. The manual reset limit will turn the heater off if an overheat condition exists. To reset refer to the “OPERATING INSTRUCTIONS” section of this guide.
- 15- This heater includes a visual alarm (red light) to warn that parts of the heater are getting excessively hot. If the light turns on, immediately turn the heater off and consult the “OPERATING INSTRUCTIONS” section of this guide. **DO NOT OPERATE THE HEATER WHEN THE ALARM LIGHT IS ON.**
- 16- Turn the power off to the electrical panel (breaker/fuse) before proceeding to the installation, repair and cleaning of the heater.

SAVE THESE INSTRUCTIONS

MAINTENANCE INSTRUCTIONS

The motor of this heater is permanently lubricated.

It is the responsibility of the user to evaluate whether to clean the heater according to the amount of dirt accumulated on the air inlets and outlets as well as inside of the heater. Accumulated dirt can lead to a component malfunction. There is a fire hazard if the product is not installed and maintained in accordance with these guidelines.

- 1- Turn off the power to the electrical panel (breaker/fuse). Let heater unit cold down few minutes because it remains hot for a while.
- 2- Clean the unit with a low pressure water jet. If necessary, you can use a mild soap. Do not use chemicals or flammable cleaning products.
- 3- If necessary, the heater may be dusted with a compressed air jet.

WARRANTY

Please refer to the product sheet at www.ouellet.com.

INSTALLATION INSTRUCTIONS

MINIMUM CLEARANCE DISTANCES

Install the unit at least:

- 8 ft. (2.4 m) from the floor;
- 6 in. (15 cm) of the side and rear walls ;
- 6 in. (15 cm) from the ceiling.

MOUNTING

Make sure the power is off to the power supply before handling the internal circuitry.

Refer to Figure 3.

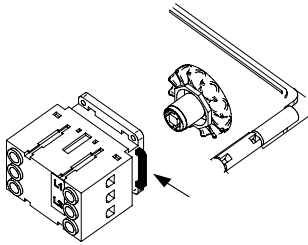
- 1- Fix the bolt (1) on the bracket (2) with the nut (3). Thereafter, fix the bracket (2) on the venturi (4) and put the mounting plate (5) in place.
- 2- Fix one of the brackets (7 or 8) to the wall or ceiling using two screws (not supplied).
- The wall or the ceiling and the screws must be able to support the weight of the unit, 23 kg (50 lb).
- 3- Fix the heater to the bracket using the self-locking nut (6).
- 4- Drill a hole on the enclosure (9) to pass the power leads in a water tight fitting (not supplied). The connection fitting use must be water tight. It is recommended to drill the back of the enclosure.

CONNECTING THE POWER

The wiring diagram is located inside the cover of the junction box. Make the connection in accordance with national and local electric codes.

To make the power connection, remove the disconnect switch from its base by pushing the black "U" clip.

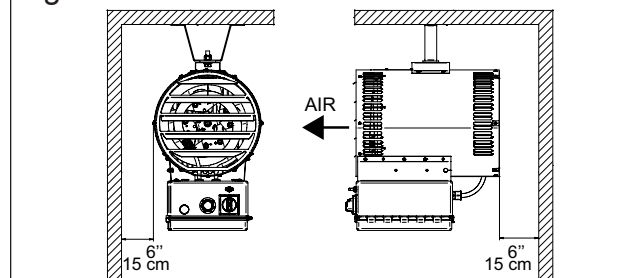
Once connected, reinstall the main switch on its base.



INSPECTION

1. Ensure that the device works well by temporarily adjusting the thermostat to the maximum temperature.
2. Make sure the fan rotates in the correct direction; the air flow should be in the direction of the arrow as shown in Figure 1.
3. Make sure that the distances from walls and ceiling are respected.

Figure 1 : Minimum clearance distances



OPERATING INSTRUCTIONS

TEMPERATURE ADJUSTMENT

Rotate thermostat knob full clockwise. The fan will start and the element will start to heat a few second later. This will remove the dust in the heater before activating the elements. When the desired temperature is reached, turn the thermostat counter-clockwise slowly until you hear a click. To make some temperature adjustments, turn slowly the thermostat clockwise to increase the temperature or counter clockwise to decrease the temperature.

FAN MODE

This option allows the use of the fan in continuous or automatic mode. **Position ON:** The fan runs continuously, with or without heating demand.

Position AUTO: The fan operates in automatic mode, only during a heating demand.

OVERHEAT PROTECTION

"LT" Model:

This model is equipped with an automatic reset thermal protection.

"GX" Model:

This model is equipped with a manual reset thermal protection under the cover of the junction box. This device turns "OFF" the heater if overheating condition occurs. To reset the unit, refer to Figure 2 and the following steps.

- 1- Close the main switch (1) of the unit.
- 2- Make sure the output and the air inlet are not blocked, this would result in abnormally high temperatures.
- 3- Let cold down the heater and open the cover (2) of the junction box.
- 4- Push the reset switch (3) until it clicks. If the unit is too hot this step will not work. If it is the case, let the unit cool down.
- 5- Close the junction box cover (2) of the heater unit and turn the main switch (1) to "ON" position.
- 6- If the thermal protection trips again, turn the power off to the electrical panel (breaker/fuse) and have the unit checked by a qualified person before using it.

Figure 2 : Overheat protection

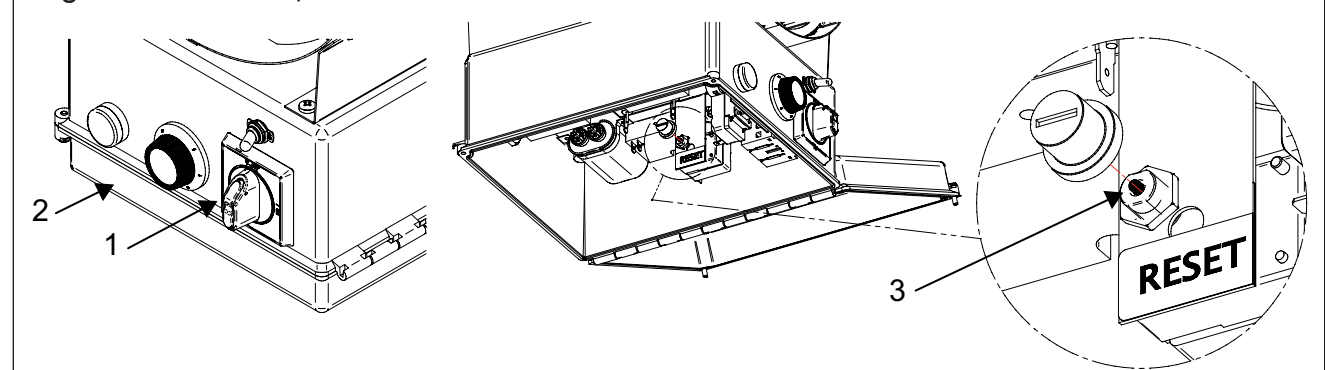


Figure 3 : Mounting

