



180, 3^e Avenue, L'Islet, Quebec, G0R 2C0, CANADA
 Tel.: (418) 247-3947, 1 800 463-7043
 Fax: (418) 247-7801
www.ouellet.com

INSTALLATION INSTRUCTIONS “ORC” Series

THE INSTALLATION MUST BE EXECUTED
 BY A QUALIFIED TECHNICIAN



Installation instructions and safety measures

WARNING

Read Carefully - These instructions contain vital information for the proper installation, use and efficient operation of the heater. Carefully read these instructions before installation, operation of the heater. Failure to adhere to the instructions could result in fire, electric shock, serious personal injury, death or property damage. Save these instructions and review frequently for continuing safe operation and instruction of future users.

ATTENTION

- Carefully read these instructions before installation.
- Do not recess the heater.
- Never paint the heater.
- Never install the heater on a wall covered with vinyl.
- Heater should not be blocked in any manner.**
- Install the heater in horizontal position only.
- Allow 1 in. (25 mm) minimum clearance below heater and any fabric. See **Figure 4**.
- Allow 4 in. (102 mm) minimum clearance from dry wall ceiling. See **Figure 4**.
- Allow 4 1/2 in. (114 mm) minimum from false ceiling, vinyl ceiling and plastic molding. See **Figure 4**.
- Allow 1/2 in. (13 mm) minimum clearance between heaters.
- Allow 3 ft. (915 mm) minimum clearance between the heater and a device sensitive to heat of 40°C and higher (104°F and higher).
- Use supplied wall brackets required.
- To avoid electric shock, disconnect all power coming to heater at main service panel before wiring or servicing.
- This heater is hot when in use. To avoid burns, do not install this heater in an accessible place. Allow 6 ft. (1829 mm) minimum clearance from the floor. See **Figure 4**.

ATTENTION (continuation)

- Do not use plastic connector for direct connection to the heater. Use power supply wire suitable for at least 90 °C (194 °F).
- All wiring must be done in accordance with the national and local electrical codes and the heater must be grounded.
- A badly installed heater can be permanently damaged and present a risk of fire or electric shock. Respect the required minimal clearances. See **Figure 1 and 4**. The heater must be solidly fixed to the structure of the building.
- Do not install the heater in bathrooms of vapor or showers, directly over a shower cubicle, nor in places where it will be exposed to high humidity or vapours during a long period.
- Check voltage rating of heater to make sure it is same as supply voltage.
- Do not insert or allow foreign objects to enter any ventilation opening as this may cause electric shock, fire, or damage to the heater.
- Do not block air inlet or outlet in any manner.
- Heater contains arcing or sparking parts. Do not use in areas where gasoline, paint, or flammable liquids are used or stored.
- Use this heater only as described in these instructions. Any other use not recommended by the manufacturer may cause fire, electric shock, or injury to persons.
- CAUTION: High temperature, risk of fire, keep electrical cords, drapery, furnishings, and other combustibles at least 3 ft. (0.9 m) from the front of the heater and away from the sides.

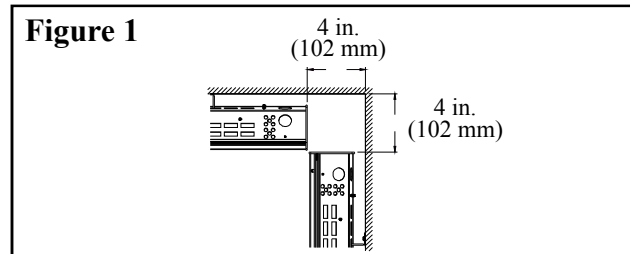
KEEP THESE INSTRUCTIONS

END TO END INSTALLATION

- Mount heaters allowing adequate spacing of 1/2 in. (13 mm) minimum between heaters.
- Install the splice plate as per instructions provided with the kit. (OPTIONAL)

INSTALLATION AT CORNER

Heater must be located so that the ends of each heater are 4 in. (102 mm) from side wall. See **Figure 1**.



WARRANTY

Please refer to the product sheet at www.ouellet.com.

WALL INSTALLATION

- Use 2 wall brackets for the 450W to 900W. Use 3 wall brackets for the 1050W and more. Fix wall brackets so that, once the heater is installed on the brackets, the length of the heater is supported at equal intervals.
- Fix the brackets with the provided wood screws. Use template provided to mark screw location depending upon type of ceiling. It is strongly recommended to fix supports of the unit on the internal structures of the wall.
- Install the wire connector (not supplied) in one of the knockouts onto the back shield.
- Attach the back shield to the brackets by tilting it back and allowing the bracket hook to enter the back shield slot then simply bring back the shield forward locking it into place. See **Figure 2**.
- Insert the wiring in the junction box. Leave approximately 6 in. (152 mm) of wiring in the case to facilitate the wiring. IMPORTANT: Use power supply wire suitable for at least 90 °C (194 °F).
- Add the screw to secure the whole. See **Figure 2**.
- Complete the wiring. See **Figure 5**.
- Install end caps. See **Figure 3**.

Figure 2

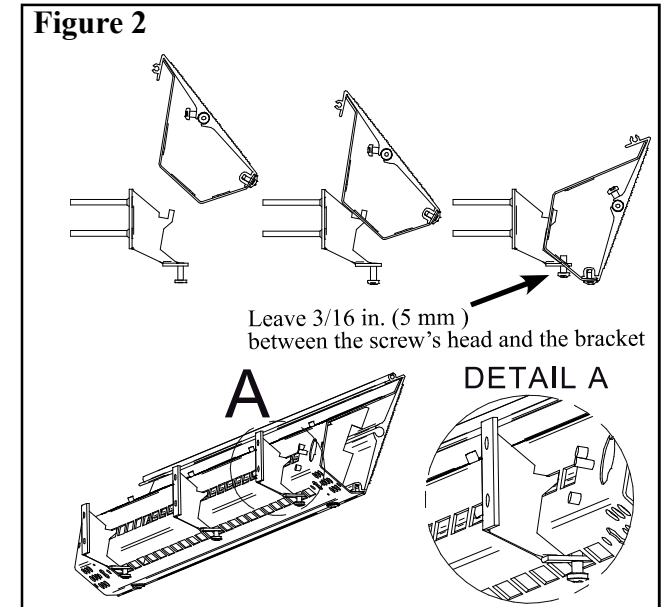


Figure 3

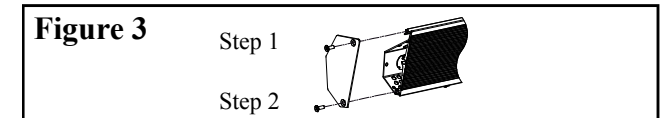


Figure 4 - MOUNTING RESTRICTIONS

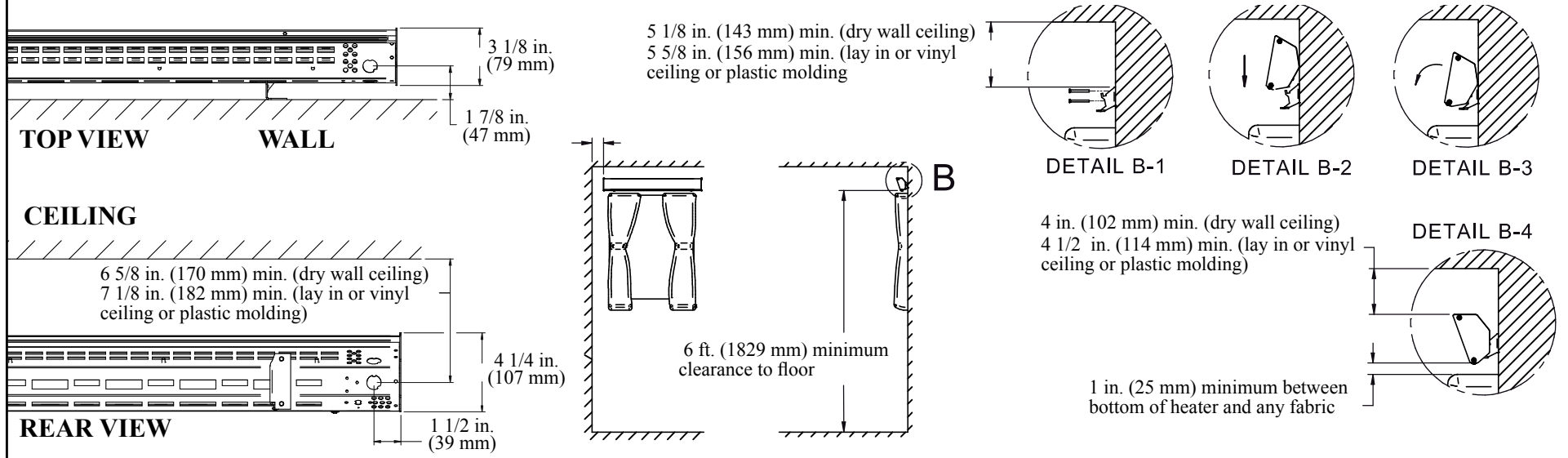
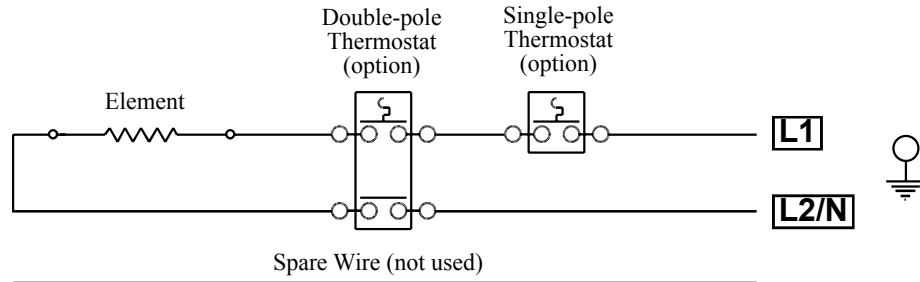
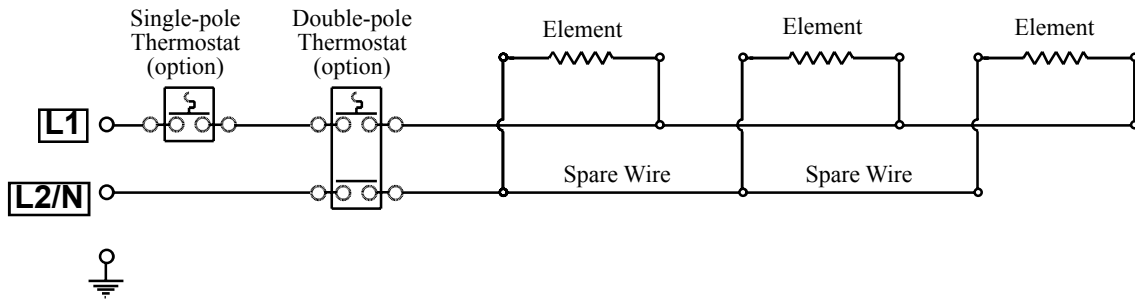


Figure 5

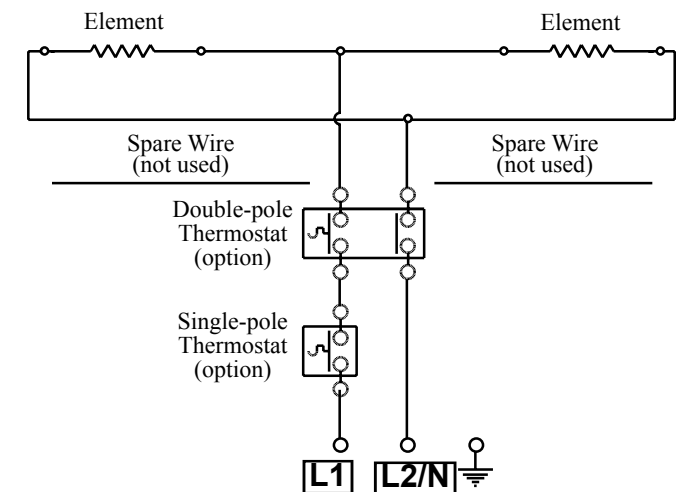
OPTIONS WIRING DIAGRAM



TWO OR MORE UNITS - SUPPLY AT END



TWO UNITS WIRING - SUPPLY IN MIDDLE



IMPORTANT : Total amperage should not be over 16 amperes