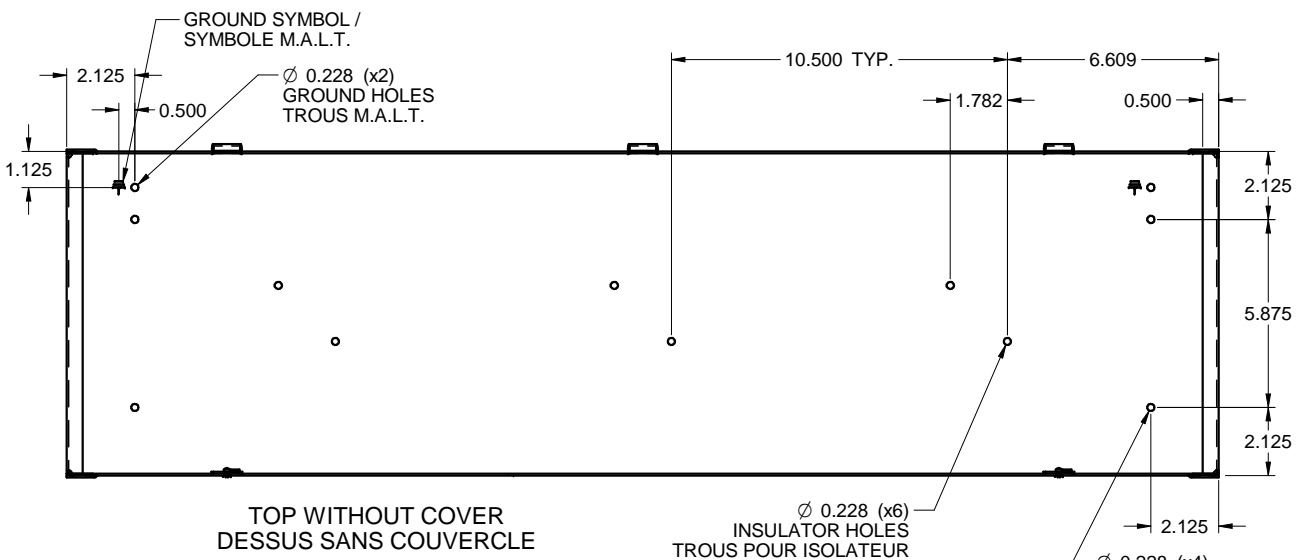
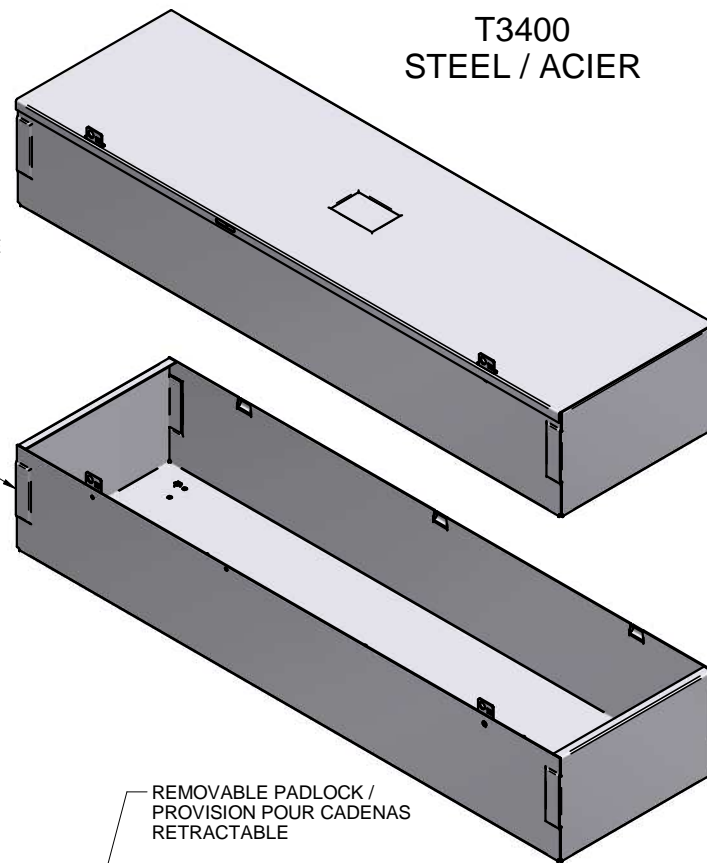
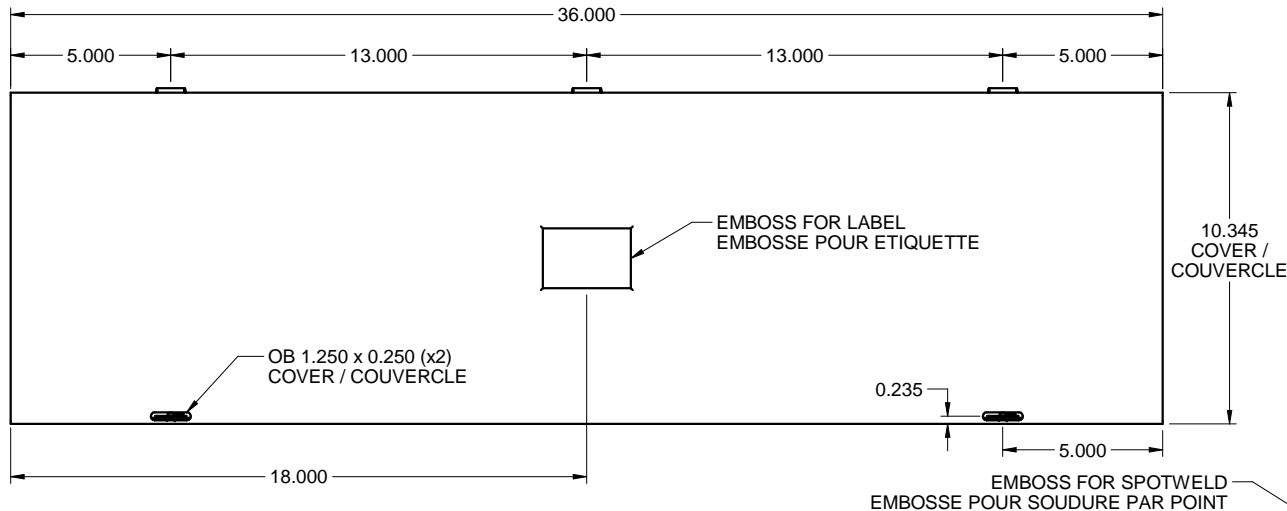
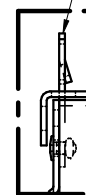


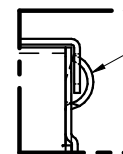
T3400
STEEL / ACIER



REMOVABLE PADLOCK /
PROVISION POUR CADENAS
RETRACTABLE



DETAIL A



FORMED HINGES /
PENTURES FORMÉES

DETAIL B

