



180, 3<sup>rd</sup> Avenue, L'Islet (Quebec) G0R 2C0 CANADA  
 Tel. : (418) 247-3947/1 800 463-7043, Fax : (418) 247-7801  
 www.ouellet.com

## INSTALLATION INSTRUCTIONS "OPP" Series

THE INSTALLATION MUST BE EXECUTED  
 BY A QUALIFIED TECHNICIAN



### CAUTION

The surface of this electric heating unit can become hot. Although there is no risk of burn for a person who has normal reflex reaction time, a person who has delayed reflexes such as a baby or an elderly person may burn themselves when the unit works at full capacity. We recommend the use of a pulsating electronic thermostat to minimize the operating temperature.

### IMPORTANT INSTRUCTIONS

Basic precautions should always be followed to reduce the risk of fire, electric shock, and injury.

- Read all instructions before using this heater.
- A heater has hot and arcing or sparking parts inside. Do not use in areas where gasoline, paint or flammable liquids are used or stored.
- This heater is hot when in use. To avoid burns, do not let bare skin touch hot surfaces. Keep combustible materials, like furniture, pillows, bedding, papers, clothes, and curtains at least 3 in. (75 mm) from the front of the heater.
- To prevent a possible fire, do not block air intakes and/or exhaust in any way whatsoever.
- Do not insert or allow foreign objects to enter any ventilation or exhaust opening as this may cause an electric shock or fire, or damage the heater.
- Do not install heater against combustible low-density cellulose fiberboard surfaces.
- The heater is not to be located below electrical convenience receptacles.
- WARNING - High temperature: Keep electrical cords, drapes, and other furnishings away from heater.
- Use only with copper branch circuit conductors.
- For bathroom use, the heater must be installed so that switches and other controls cannot be touched by anyone in the bath or shower.
- To avoid possible electrical shock, disconnect all power at the main panel prior to wiring, cleaning, or servicing.
- CAUTION: Use power supply wire for 90 °C (194 °F).

- Do not use outdoors.
- Use this heater only as described in this manual. Any other use not recommended by the manufacturer may cause fire, electric shock, or injury.
- **KEEP THESE INSTRUCTIONS**

### INSTALLATION / USER

- 1- Remove screws that secure cover to heater body.
- 2- Remove knockouts of side where you wish to make your connection.
- 3- Strip at least 6 in. (150 mm) of cable insulation and approximately 1/2 in. (12 mm) of wire insulation.
- 4- Remove wire connector and make connections according to national and local codes. See **wiring diagram A**. Insure that leads from heater are free, and that ground wire is connected to grounding screw.
- 5- Secure heater to wall using wood screws. After screws have been fastened snugly, loosen them one half turn to allow free expansion.
- 6- Replace and secure heater cover with screws.

### RELAYS (OPTIONAL)

Relay with transformer: OPP-RT-XXX

Relay without transformer: OPP-R-XXX

- 1- Fix the relay in the bottom of the right connection box using screws.
- 2- Fix the separating plate on the relay using a conduit nut.
- 3- Make connections according to national and local codes. See **wiring diagram B**.

### INTERCONNECTION

- The connection boxes and the wiring channel are approved for interconnection of baseboard heaters and components which are on the same heating branch circuit.
- For all other options in this series, use "EMT" tubing or "BX" cable to run wiring.  
 (Ex: Corner box, empty cabinets, etc.)  
The heater junction box minimum volume without options is 52.6 in<sup>3</sup> (862 cm<sup>3</sup>).

### FURNITURE AND DRAPES

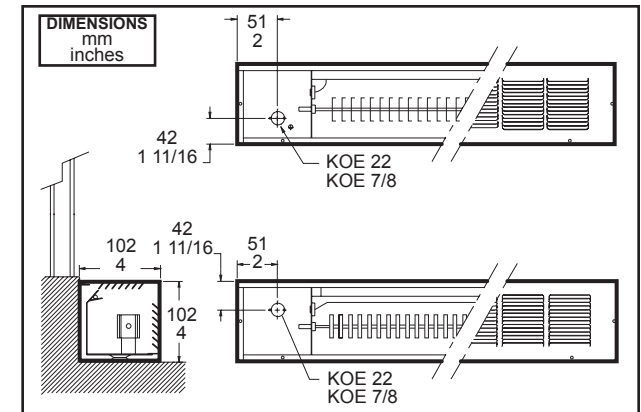
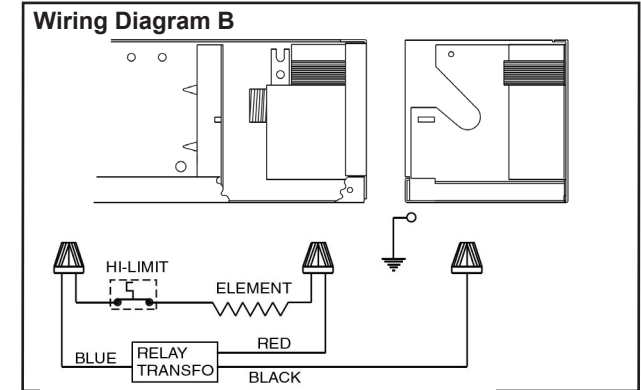
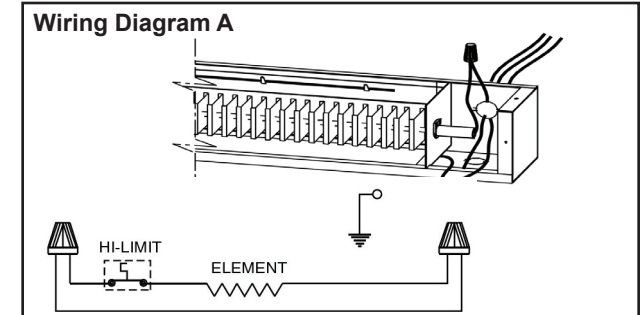
For maximum satisfaction and air flow of 3 in. (75 mm) clearance is recommended. Also allow 1 in. (25.4 mm) clearance on top and bottom of drapes when drapes cover wall.

### WARRANTY

Please refer to the product sheet at [www.ouellet.com](http://www.ouellet.com).

### MAINTENANCE

- Once a year or at the need, remove the front panel and use a vacuum cleaner to remove the dust accumulation inside the heater.
- Cleaning should be done while the heater is disconnected from the main service panel. Wait until the housing and the element of the heater have cooled down prior to maintenance. Remove the front cover of the unit by removing the screws at both ends.  
**CAUTION:** The element fins are sharp - Do not touch. Replace all covers before energizing.
- Any other servicing should be performed by a qualified technician.



INS11-200303-03