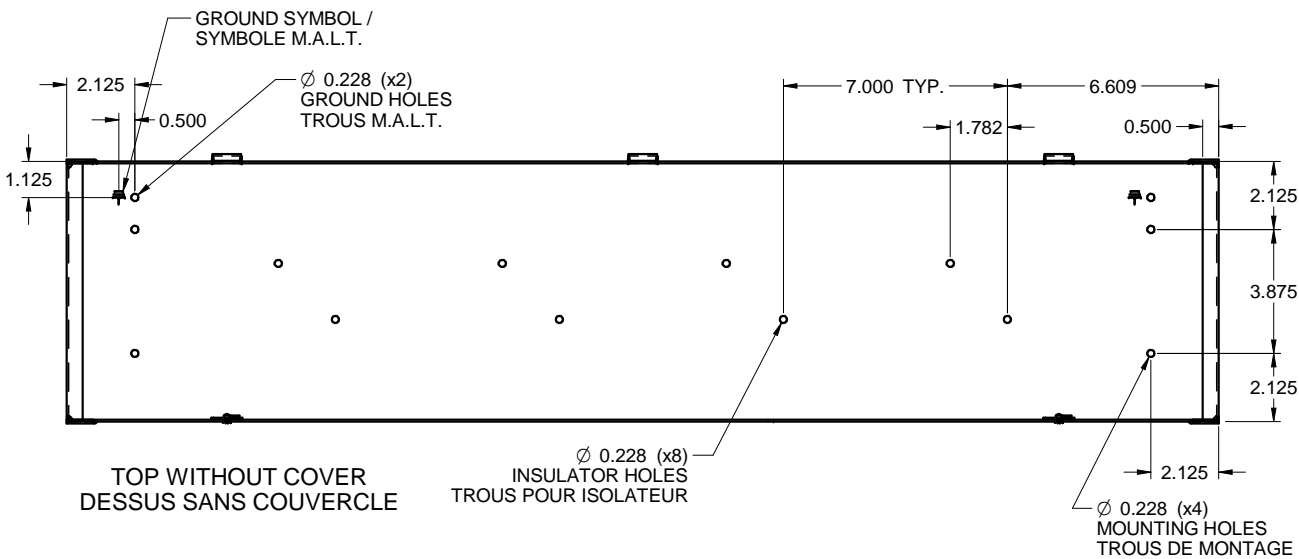
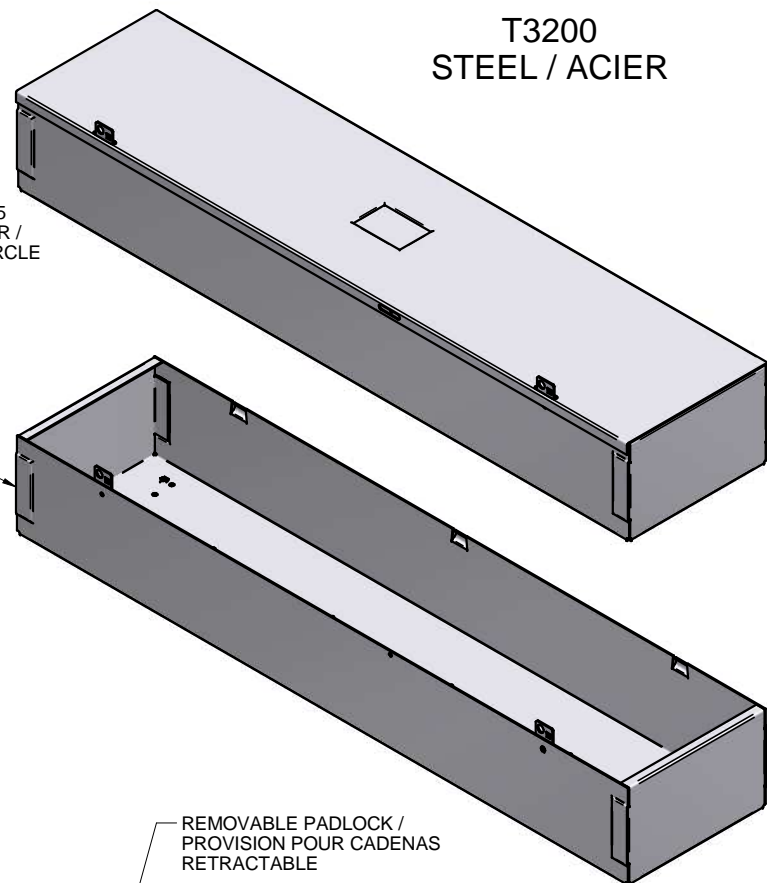
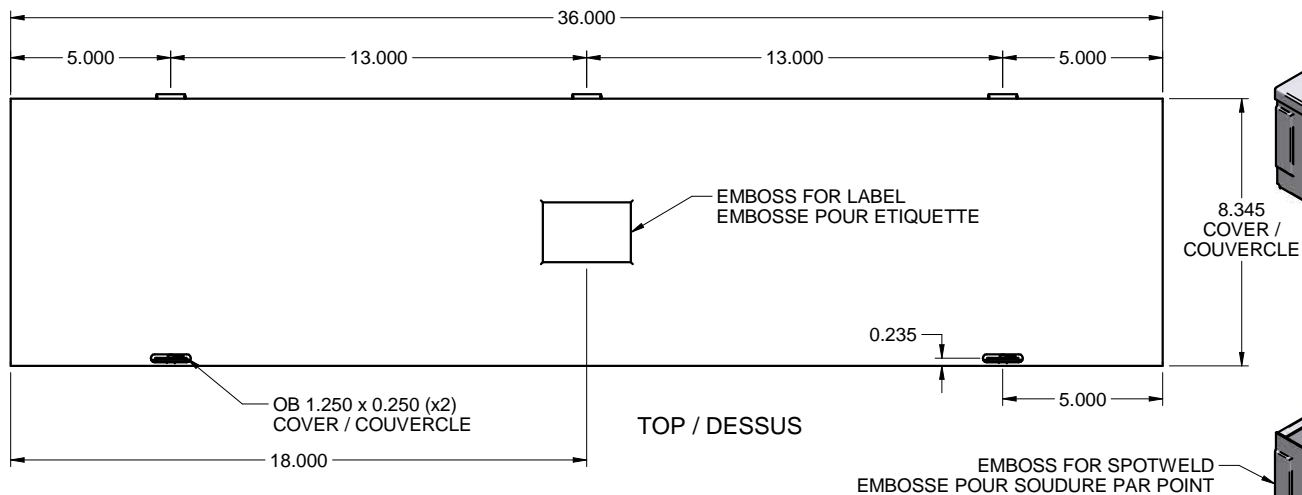
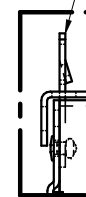


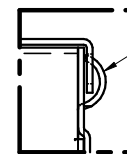
T3200  
STEEL / ACIER



REMOVABLE PADLOCK /  
PROVISION POUR CADENAS  
RETRACTABLE



DETAIL B



FORMED HINGES /  
PENTURES FORMÉES

DETAIL A

