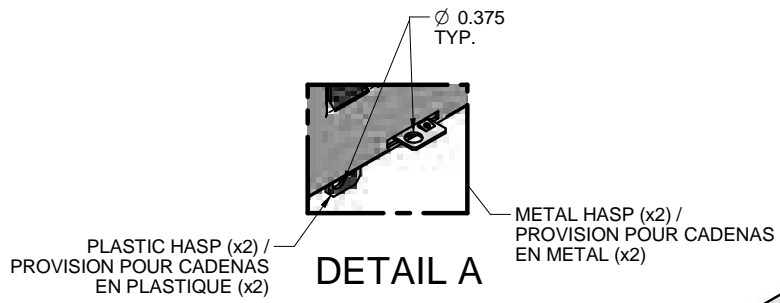
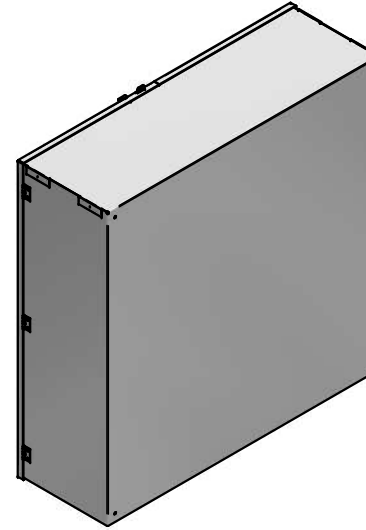
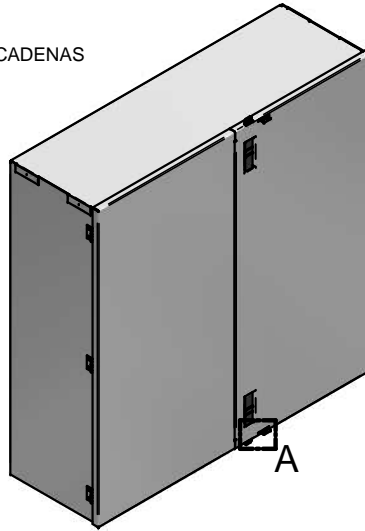


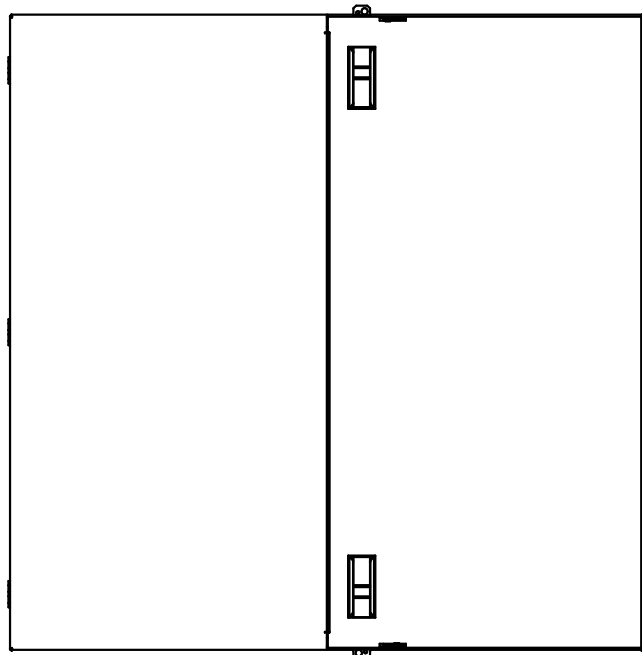
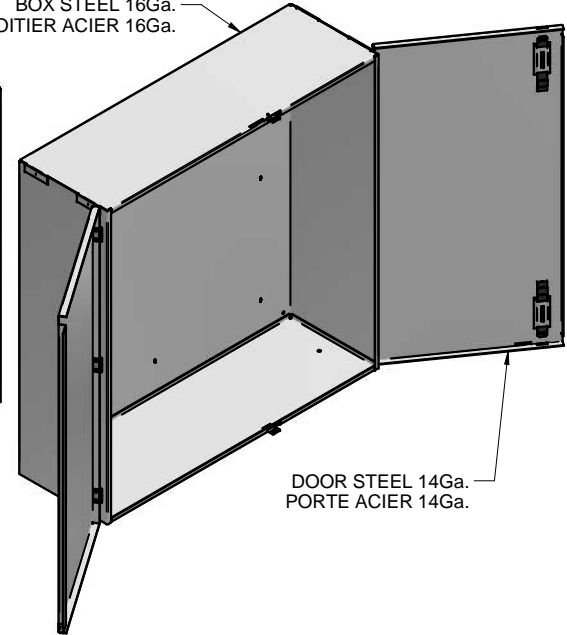
C363612UG STEEL / ACIER



TOP / DESSUS

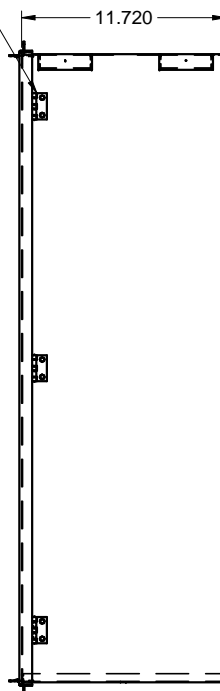


BOX STEEL 16Ga.
BOITIER ACIER 16Ga.



FRONT / FACE

WELDED HINGES (x3) /
PENTURES SOUDEES (x3)



SIDE / CÔTÉ

