



180, 3rd Avenue, L'Islet, Quebec, G0R 2C0, CANADA
 Tel.: (418) 247-3947, 1-800-463-7043 Fax: (418) 247-7801
www.ouellet.com

INSTRUCTIONS "OVS" Series



WARNING



When using electrical appliances, basic precautions should always be taken to reduce the risk of fire, electrical shock and injury, including the following.

Read carefully these instructions before installation, operation of the heater. Failure to adhere to the instructions could result in fire, electric shock, serious personal injury, and death or property damage. Review frequently for continuing safe operation and instruction of future users, if necessary.

IMPORTANT INSTRUCTIONS

- 1- Read all instructions before installing or using this heater.
- 2- This heater is hot when in use. To avoid burns, do not let bare skin touch hot surfaces. Keep combustible materials, like furniture, pillows, bedding, papers, clothes, and curtains at least 36 in. (915 mm) from the front of the heater and away from the sides.
- 3- Extreme caution is necessary when any heater is used by or near children or invalids and whenever the heater is left operating and unattended.
- 4- Do not operate any heater after it malfunctions. Disconnect power at service panel and have heater inspected by a reputable electrician before reusing.
- 5- Do not use outdoors.
- 6- Do not insert or allow foreign objects to enter any ventilation or exhaust opening as this may cause an electric shock or fire, or damage the heater.
- 7- Do not block air intakes or exhaust in any way whatsoever.
- 8- This heater has hot and arcing or sparking parts inside. Do not use it in areas where gasoline, paint, or flammable liquids are used or stored.
- 9- Use this heater only as described in this manual. Any other use not recommended by the manufacturer may cause fire, electric shock, or injury.
- 10- **AMERICAN VERSION ONLY:** This heater includes a visual alarm to warn that parts of the heater are getting excessively hot. If the light turns on, immediately turn the heater off and inspect for any objects on or adjacent to the heater that may have blocked the airflow or otherwise caused high temperatures to have occurred. If no obstruction is visible, the heater must be checked by a qualified person. **DO NOT OPERATE THE HEATER WITH THE ALARM LIGHT IS ON.**
- 11- The thermostat should not be considered as an infallible system where maintaining a temperature is considered critical. Examples: Hazardous material storage, computer room, etc. In these particular cases, it is imperative to add a monitoring system to avoid the consequences of a failure of the thermostat.

INSTALLATION INSTRUCTIONS

RECESS WALL MOUNTING:

- 1- Heater may be installed in any of four vertical positions as shown on drawing.
- 2- Provide an opening as shown on drawing, a minimum of 3 in. (76 mm) deep. May be recessed in 2X3 in. stud wall.
- 3- Remove the appropriate knock-out from the recess box for the electrical supply. The heater junction box volume is 35 in.³ (576 cm³).
- 4- Install the heater or the recess box and be sure that the heater is attached firmly with the provided screws. Make sure that the edge on each side of the recess box lean on the drywall and not on the structural parts of the wall. See marking on the sides of the recess box. **IMPORTANT:** If the recess box is pre-installed, insert the keyholes of the venturi on the 4 screws of the recess box and tighten the 4 screws to prevent vibration.
- 5- Connect the heater leads to the supply leads according to the wiring diagram of these instructions in accordance with local and national codes.
- 6- Install the grille using the provided screws. Make sure that the fan blade is free to rotate and the heater assembly is free of foreign objects and/or matter. Make sure that the solid panel of the grille covers the supply connection box.
- 7- Test heater by temporarily adjusting the thermostat at maximum temperature.

SURFACE WALL MOUNTING:

- 1- Heater (and surface box) may be installed in any of four vertical positions (See drawing).
- 2- Locate the power supply leads behind the surface box.
- 3- Mount the surface box securely to the wall with the provided screws.
- 4- Follow instructions 3 to 7 mentioned previously in the recess wall mounting section.

OPTIONAL THERMOSTAT:

Refer to the instruction supplied with the option.

CAUTION:

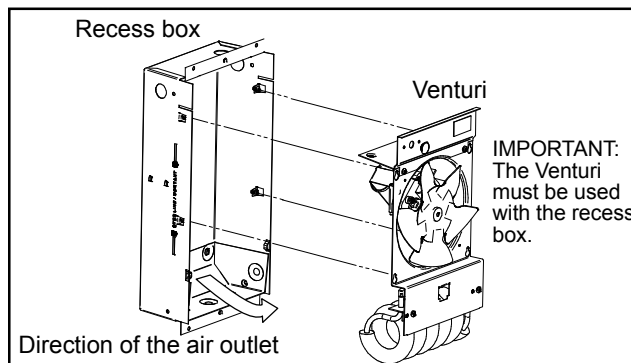
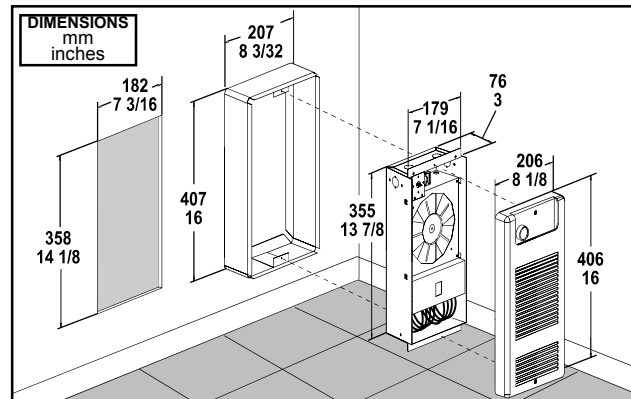
High temperature, risk of fire, keep electrical cords, drapery, furnishings, and other combustibles at least 36 in. (915 mm) from the front of the heater and away from the sides. To reduce the risk of fire, do not store or use gasoline or other flammable vapors and liquids in the vicinity of the heater.

IMPORTANT

- 1- Do not obstruct the front of the heater for at least 48 in. (1200 mm).
- 2- Install the heater with the air outlet at least 10 in. (254 mm) from the floor or adjacent surface.
- 3- Do not install the inside of the heater assembled directly in the wall. Always install the heater in the wall with the recess box.

OPERATING INSTRUCTIONS

- 1- The heater must be properly installed before it is used.
- 2- Turn the power on at the circuit breaker panel.
- 3- Electronic thermostat: be sure to set it on the fan mode.
- 4- Built-in thermostat (optional): to set thermostat at the desired temperature, follow these steps:
 - Set thermostat at maximum temperature (turn clockwise).
 - When the desired temperature is reached, turn the thermostat counter-clockwise slowly until you hear a "click".
 - The thermostat will keep this room temperature.
- 5- Built-in thermostat with control knob, the setting can be done with the supplied knob, located on the front cover.
- 6- Built-in tamperproof thermostat: the setting can be done through the hole in the front cover with a small slotted screwdriver.
- 7- **AMERICAN VERSION ONLY:** This heater includes a visual alarm to warn that parts of the heater are getting excessively hot. If the light turns on, immediately turn the heater off and inspect for any objects on or adjacent to the heater that may have blocked the airflow or otherwise caused high temperatures to have occurred. **DO NOT OPERATE THE HEATER WITH THE ALARM LIGHT IS ON.**

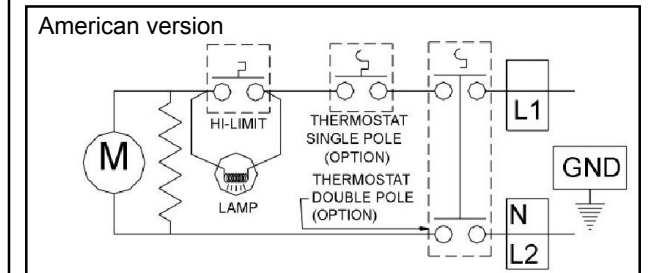
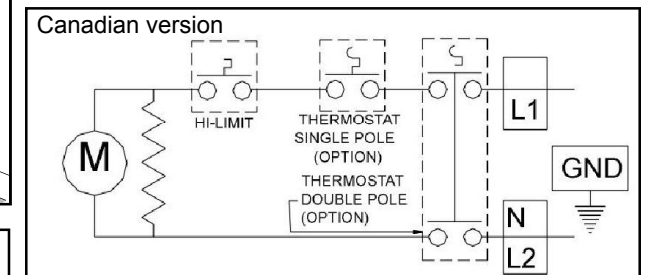
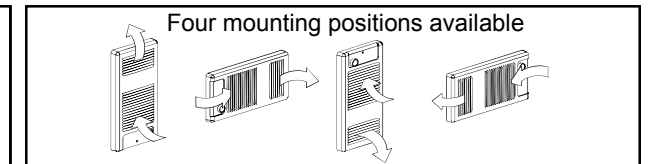


MAINTENANCE INSTRUCTIONS

- 1- Once a year, remove the front panel and use a vacuum cleaner to remove the dust accumulation inside the heater and through openings of the front panel.
- 2- Cleaning should be done while the heater is disconnected from the main service panel. Wait until the housing and heating element cool before performing maintenance.
- 3- Replace the front panel before energizing.
- 4- Any other servicing should be performed by a qualified technician.

WARRANTY

Please refer to the product sheet at www.ouellet.com.



SAVE THESE INSTRUCTIONS

INS28-200301-07