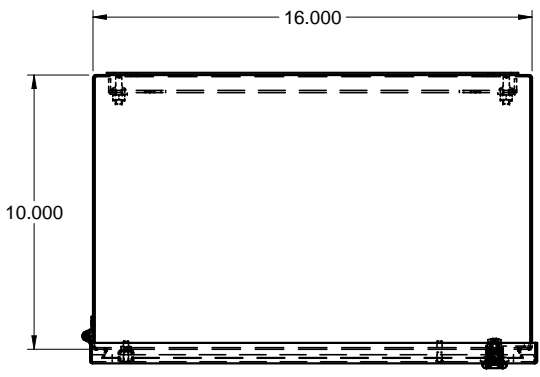
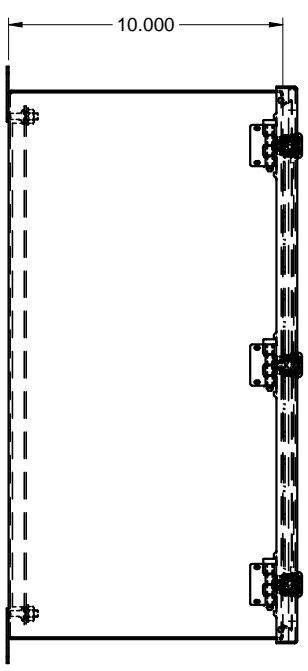
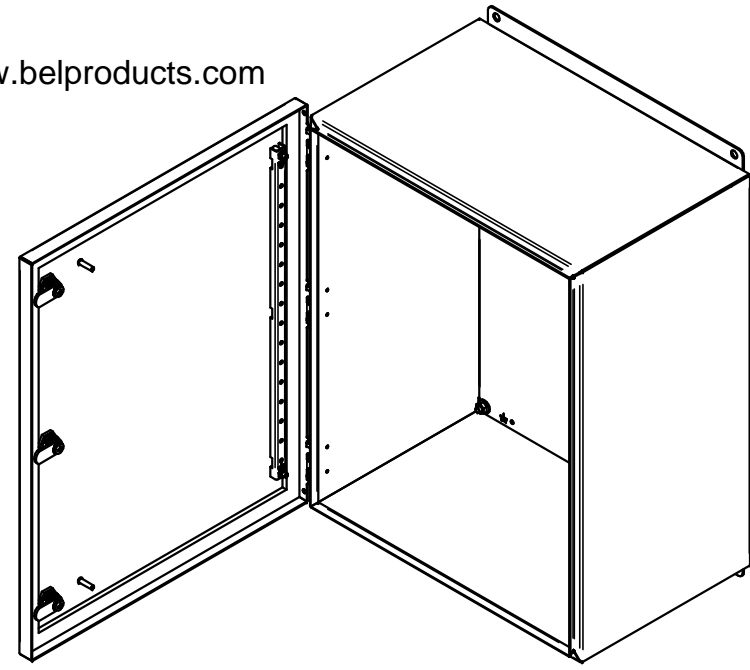


S201610
STEEL / ACIER

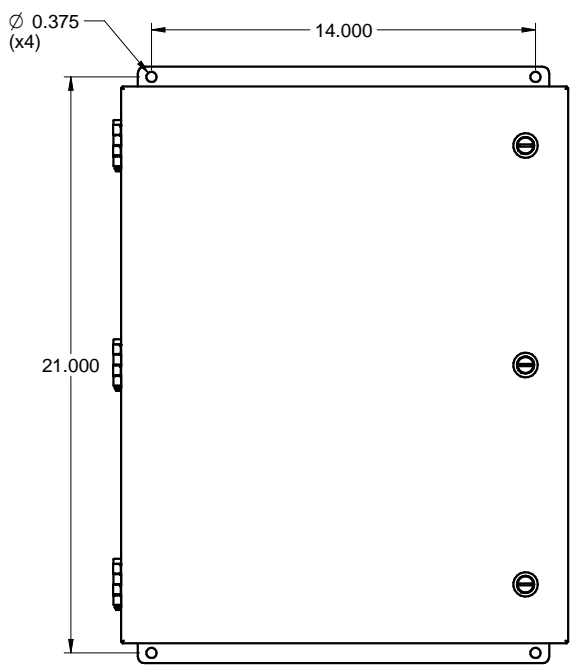
www.belproducts.com



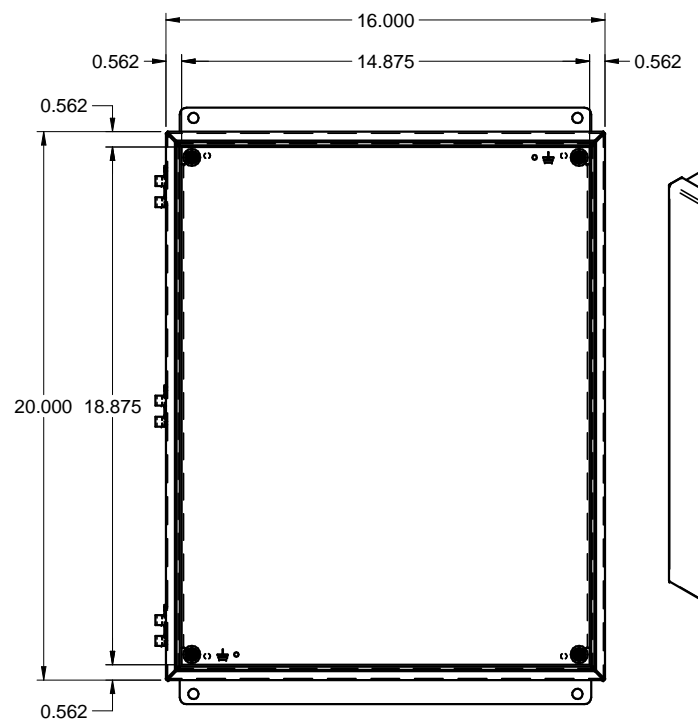
TOP / DESSUS



SIDE / CÔTÉ



FRONT / FACE



FRONT WITHOUT COVER
/ FACE SANS COUVERCLE

