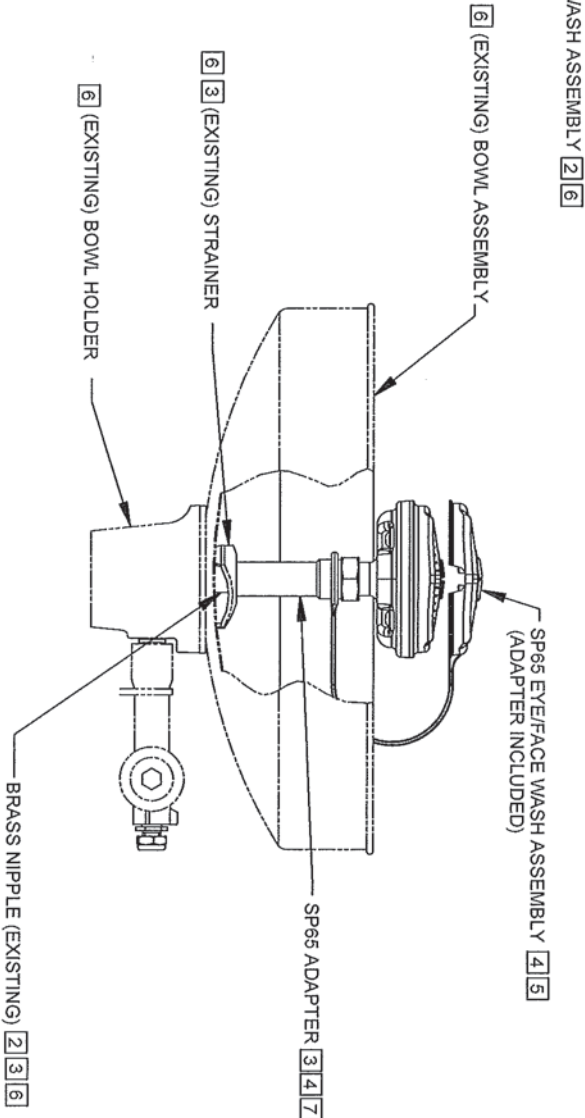
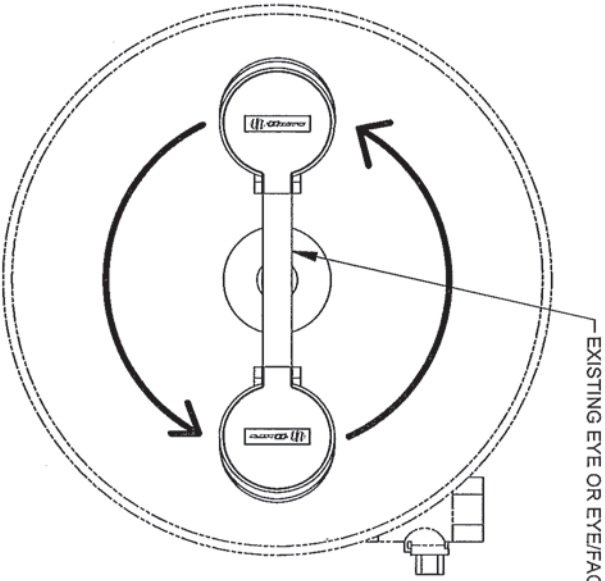
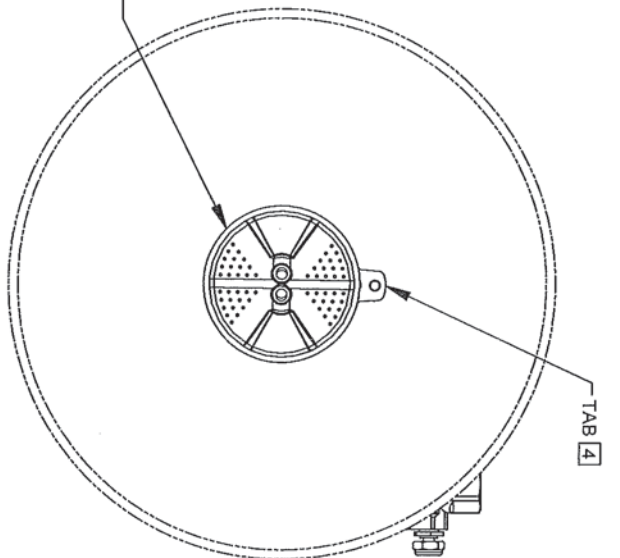


INSTALLATION/ RETRO FIT STEPS

1. IF REPLACING AN EXISTING EYEWASH ASSEMBLY WITH SP65 FOLLOW STEPS 2 THROUGH 5 AND IF INSTALLING SP65 ON NEW UNIT FOLLOW STEPS 3 THROUGH 5 (IF APPLICABLE).
NOTE: NOT FOR USE ON ANY FREEZE RESISTANT UNIT: i.e. 8300FP, 8300.158, 7433FP, 8317CTFP, 8317CTFP.220V, AND 8317CTFP-1D1.
- 2 REMOVE EXISTING EYEWASH BY SPINNING EYEWASH TEE COUNTERCLOCKWISE. DO NOT REMOVE BRASS NIPPLE FROM BOWL HOLDER.
- 3 PLACE SP65 ADAPTER THROUGH DUST COVER LOOP. THREAD SP65 ADAPTER ONTO BRASS NIPPLE UNTIL SNUG AGAINST STRAINER.
- 4 THREAD SP65 ONTO ADAPTER. ORIENT TAB TOWARDS THE BACK (AWAY FROM USER). DO NOT OVER-TIGHTEN.
- 5 PLACE DUST COVER ONTO EYEFACE WASH
- 6 EXISTING COMPONENTS SHOWN (TYPICAL MODEL) ARE FOR REFERENCE ONLY AND MAY NOT REPRESENT YOUR SPECIFIC UNIT.
- 7 ADAPTER SUPPLIED WITH SP65 MAY NOT BE REQUIRED IN SOME APPLICATIONS.

EYEFACE WASH HEAD SHOWN WITHOUT DUST COVER



SEE SHEET 2 OF 2
FOR FLOW CONTROL
CLEANING STEPS



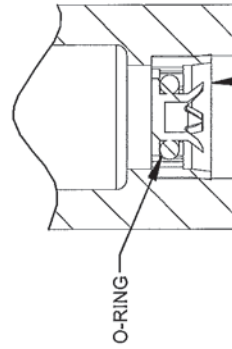
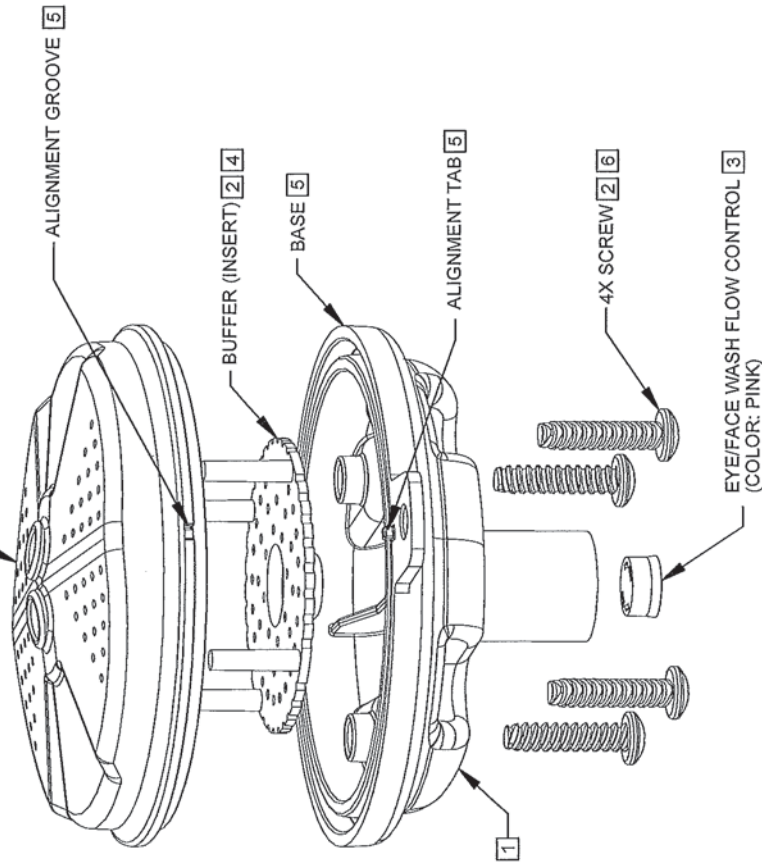
1455 KLEPPE LANE
SPARKS, NEVADA 89431
(775) 359-4712 FAX (775) 359-7424
E-MAIL: HAWS@HAWS.CO.COM
WEBSITE: WWW.HAWS.CO.COM

ECN NO. REVISED PER BY:	MODEL(S)	PART NUMBER
4108 ECN: 4838 HM	SP65 AXION EYEFACE WASH	0002077031
DATE: 5/10/14	DRAWING TYPE: INSTALLATION	DRAWING NO. REV
APPROVED: [Signature]	SCALE: 1:8	15342A00 8
DATE: 5/10/14	SIZE: A	SHEET 1 OF 2

FLOW CONTROL CLEANING STEPS:

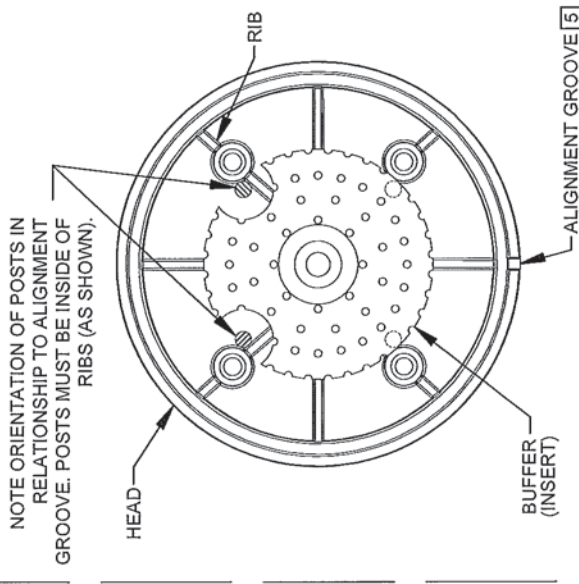
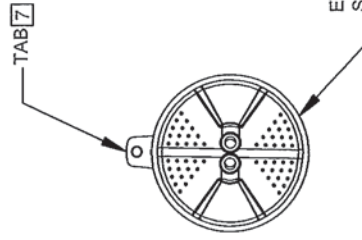
- 1 UNSCREW EYE/FACE WASH ASSEMBLY FROM ADAPTER (NOT SHOWN).
- 2 REMOVE SCREWS (QTY. 4) FROM SP65 EYE/FACE WASH ASSEMBLY. REMOVE EYE/FACE WASH HEAD AND BUFFER (INSERT).
- 3 REMOVE EXISTING FLOW CONTROL FROM BASE BY PUSHING IT OUT FROM THE TOP, AND CAREFULLY REMOVE ANY DEBRIS LODGED BETWEEN O-RING AND HOUSING OR OPENINGS. ALSO, CHECK FOR ANY SEDIMENT OR MINERAL DEPOSITS BLOCKING OPENINGS. EXERCISE CAUTION NOT TO DAMAGE OR LOSE O-RING IN THE PROCESS. ALL OPENINGS ON FLOW CONTROL MUST BE FREE AND CLEAR OF ANY OBSTRUCTIONS FOR FLOW CONTROL TO FUNCTION PROPERLY. REINSTALL FLOW CONTROL. SEE DETAIL A FOR ORIENTATION.
- 4 INSERT BUFFER (INSERT) INTO EYE/FACE WASH HEAD NOTING ORIENTATION OF POST IN RELATIONSHIP TO ALIGNMENT GROOVE AS SHOWN ON DETAIL B.
- 5 REASSEMBLE EYE/FACE WASH HEAD, MAKING SURE THAT ALIGNMENT GROOVE ON EYE/FACE WASH HEAD LINES UP WITH ALIGNMENT TAB ON BASE.
- 6 REINSTALL SCREWS (QTY. 4) INTO THE EYE/FACE WASH ASSEMBLY, TIGHTEN SNUG TO ENSURE A WATERTIGHT SEAL. DO NOT OVER-TIGHTEN. TORQUE SPEC. 4 IN. LBS. MAX.
- 7 REASSEMBLE SP65 EYE/FACE WASH ASSEMBLY ONTO ADAPTER (NOT SHOWN). ORIENT TAB TOWARDS THE BACK (AWAY FROM USER). DO NOT OVER-TIGHTEN.
- 8 PLACE DUST COVER (NOT SHOWN) ONTO EYE/FACE WASH.

EYE/FACE WASH HEAD HAS 2 LARGE OPENINGS (FOR EYES) AND MULTIPLE SMALLER OPENINGS (FOR FACEWASH)



FLOW CONTROL SHOWN IN PLACE
NOTE: PRESS FLOW CONTROL IN
UNTIL IT BOTTOMS OUT

[3] DETAIL A



NOTE ORIENTATION OF POSTS IN RELATIONSHIP TO ALIGNMENT GROOVE. POSTS MUST BE INSIDE OF RIBS (AS SHOWN).

[4] DETAIL B



SEE SHEET 1 OF 2
FOR INSTALLATION/
RETROFIT STEPS

ECN NO. REVISED PER BY: 40488	MODEL(S)	PART NUMBER
DESIGNER: ECHOLS	SP65 AXION EYE/FACE WASH	0002077031
DATE: CHYD	INSTALLATION	REV
APPROVED: ROBERTS	SCALE: 1:18	DRAWING NO. 15342A00
DATE: 12/14/14	DRAWING TYPE:	SIZE: A
		SHEET 2 OF 2