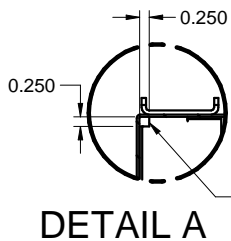
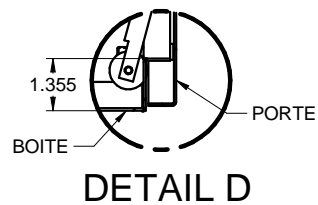
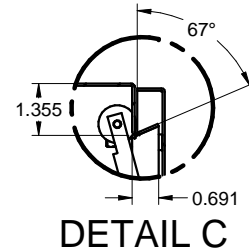
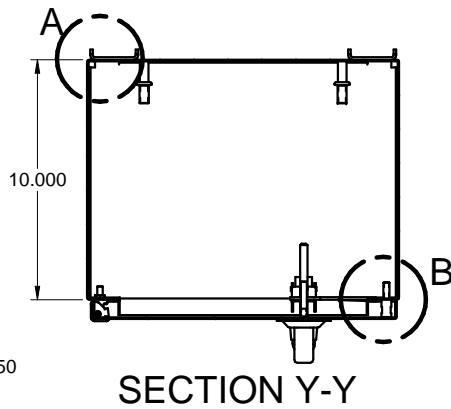
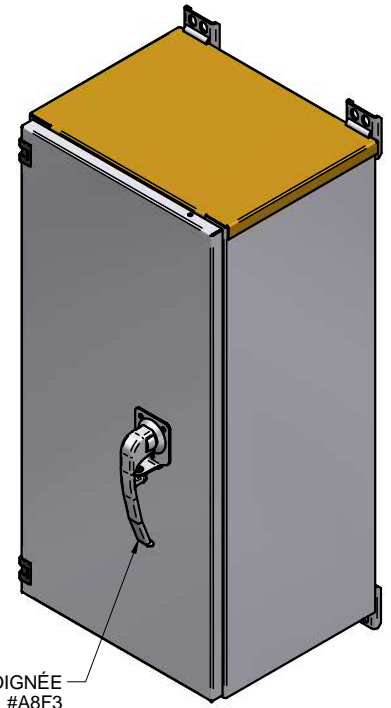
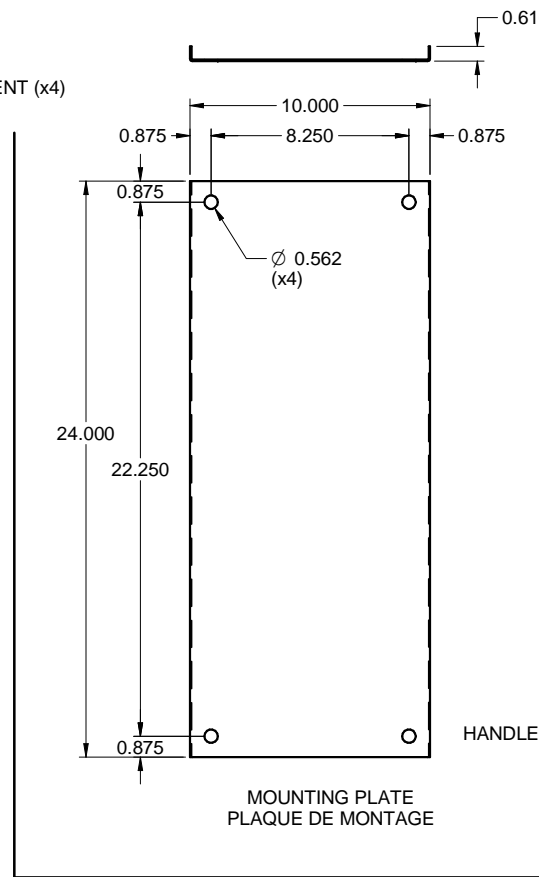
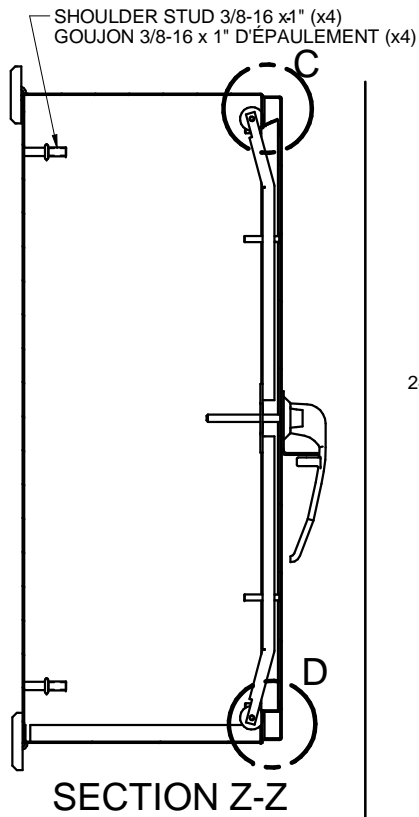
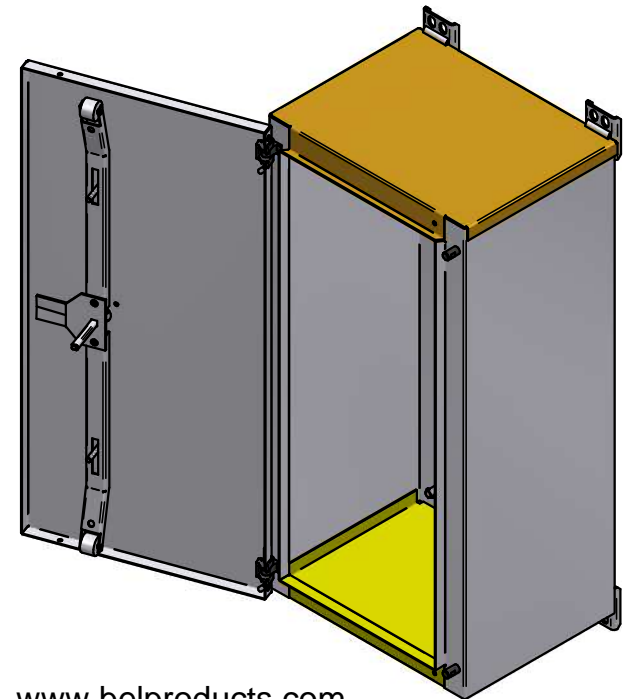
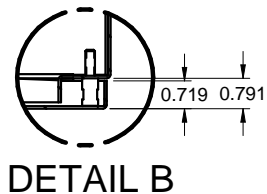


REMOVABLE MOUNTING BRACKET (x4)  
PATTE DE FIXATION AMOVIBLE (x4)



DRAIN HOLE SQUARE  
0.250" (x2)  
TROU DE DRAINAGE  
CARRÉ 0.250" (x2)



AMC271310  
STEEL / ACIER