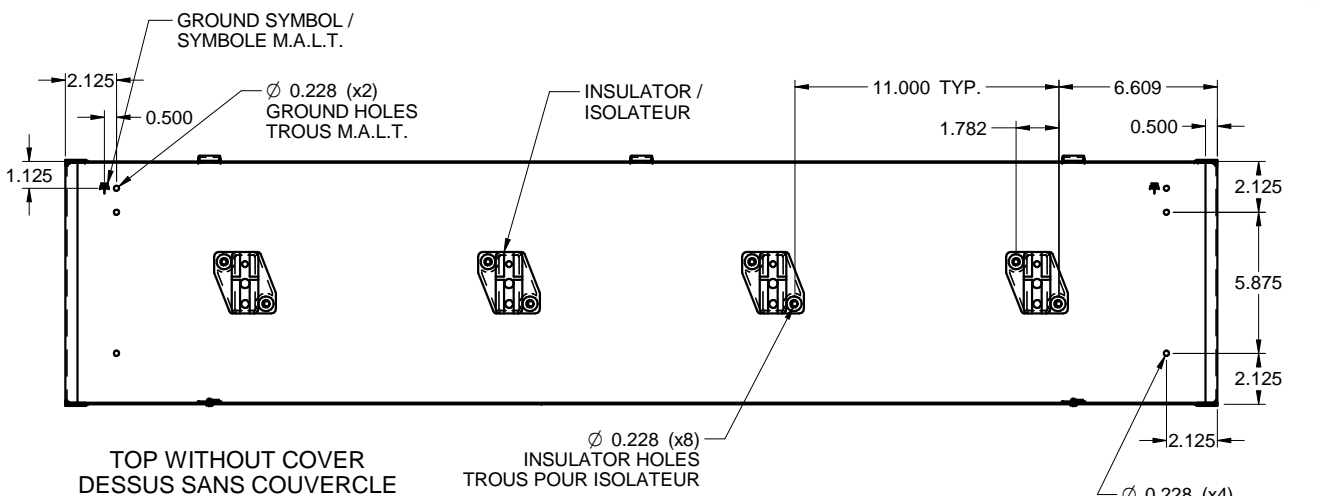
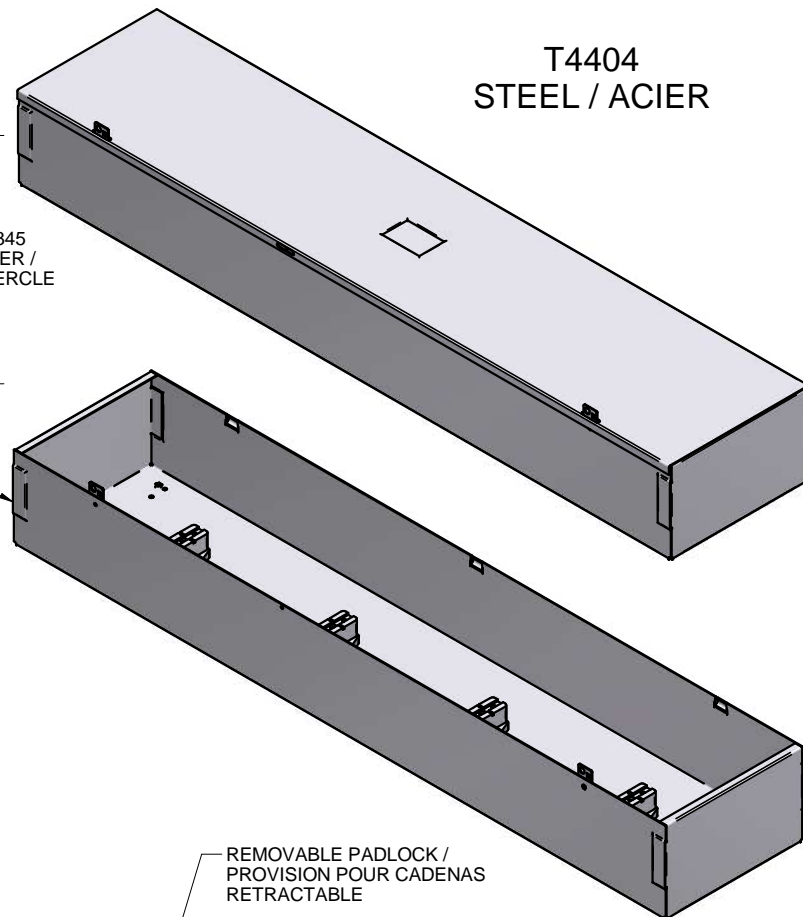
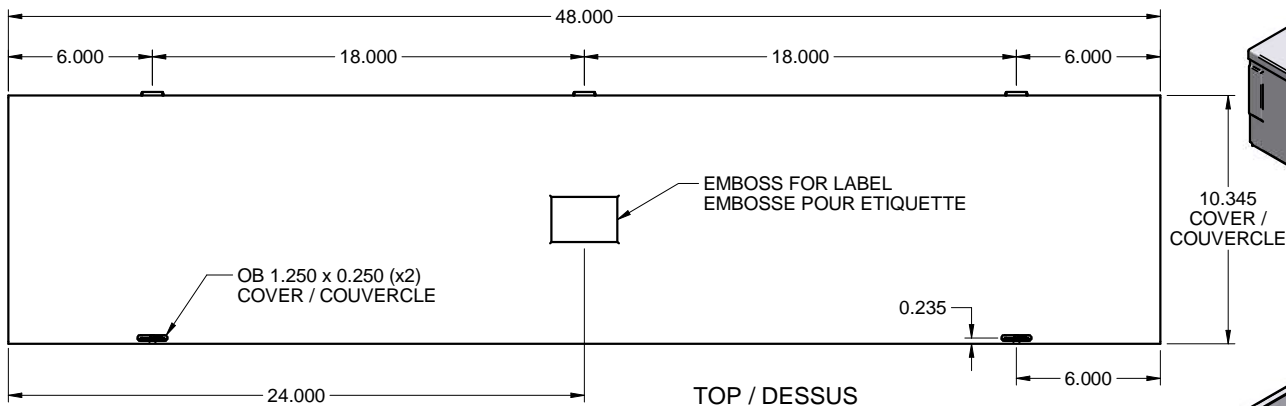
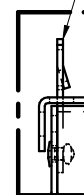


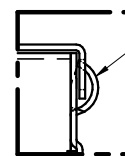
T4404
STEEL / ACIER



REMOVABLE PADLOCK /
PROVISION POUR CADENAS
RETRACTABLE

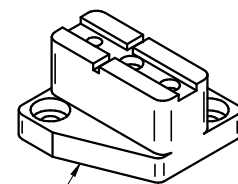


DETAIL B



DETAIL A

FORMED HINGES /
PENTURES FORMÉES



INSULATOR #BEL33
ISOLATEUR #BEL33

