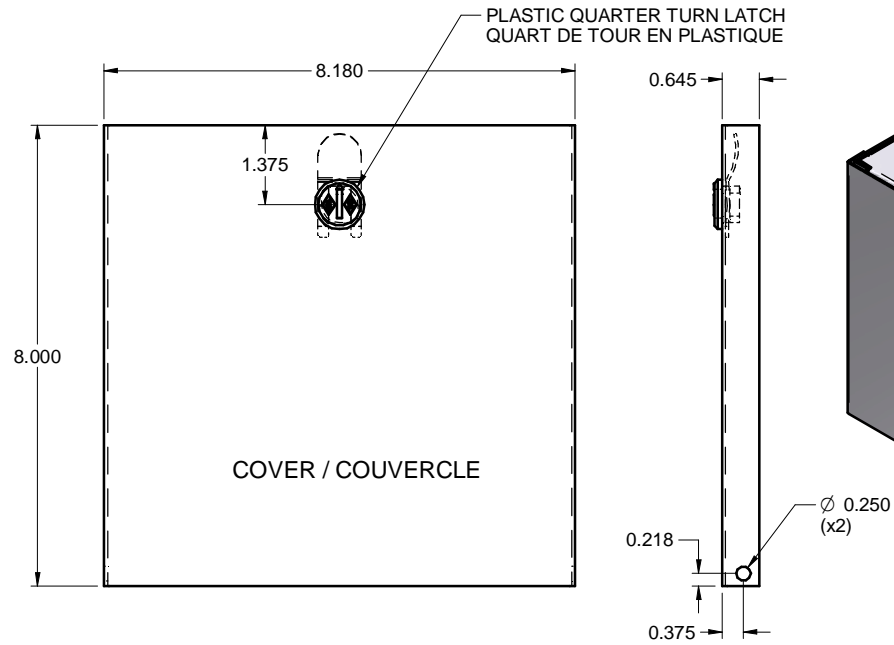
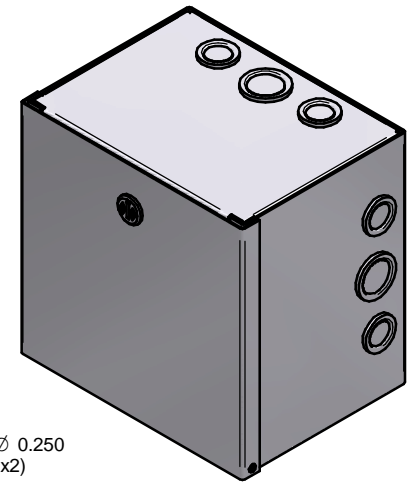


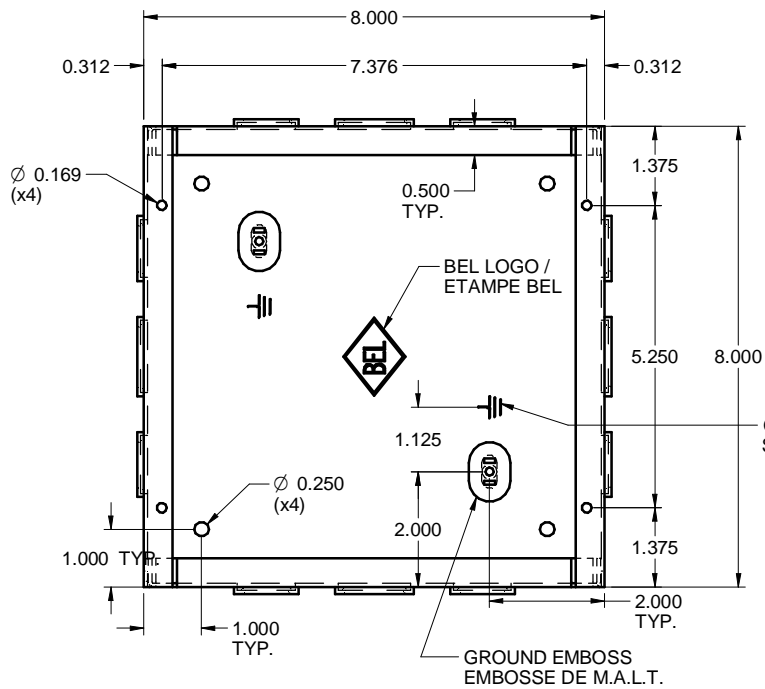
TOP / DESSUS



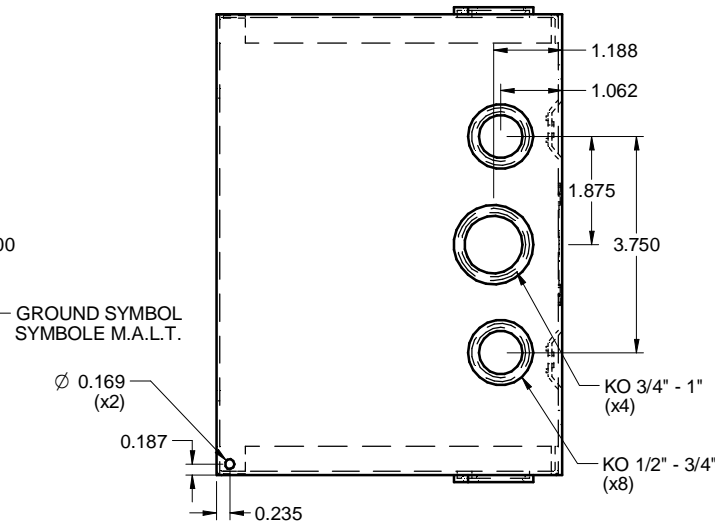
COVER / COUVERCLE



EUKO080806  
STEEL / ACIER



FRONT WITHOUT COVER  
FACE SANS COUVERCLE



SIDE / CÔTÉ

