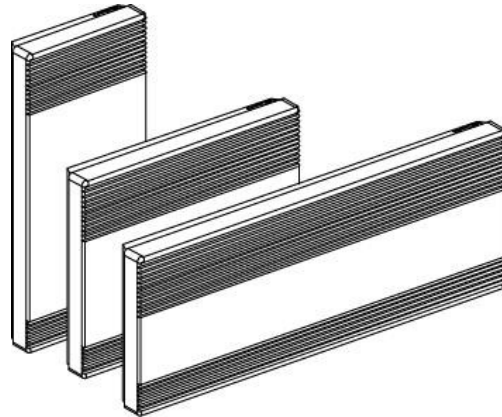
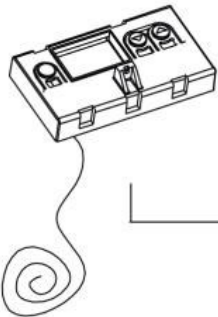
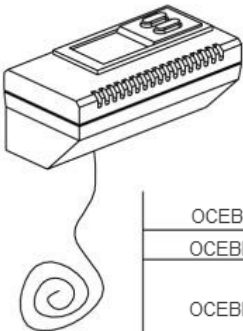


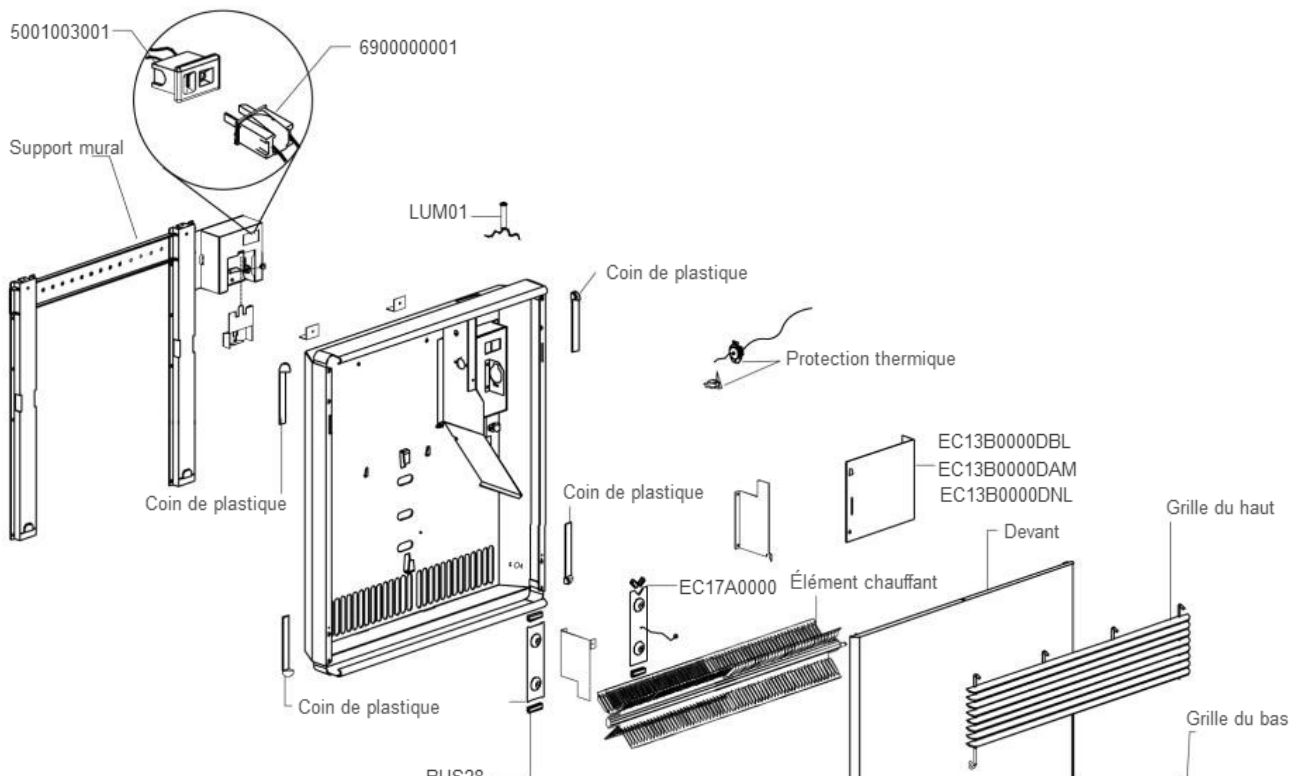
série OCE

Convecteur de style européen

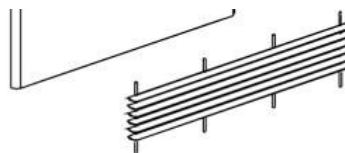


Thermostat intégré / Built-in thermostat

| | | | |
|--|-------------|---------------|------------------------------------|
|  | Blanc/White | OCEBMH-TH-DBL | Blanc/White |
|  | | OCEBMH-TH-DAM | Amande/Almond |
| | | OCEBMH-TH-DNL | Noir/Black |
| | | | Couleur optionnelle/Optional color |
| | | | Acier inoxydable/Stainless steel |



00320 —
(indiquer la longueur voulue en pied)



| | Coin en plastique Plastic corner | | |
|--------------------------------------|-------------------------------------|------------------|---------------|
| | Blanc White | Amande Almond | Noir Black |
| OCEH haut droit / OCEH top-right | BUS10 | BUS29 | BUS39 |
| OCEH haut gauche / OCEH top-left | BUS11 | BUS30 | BUS40 |
| OCEH bas droit / OCEH bottom-right | BUS12 | BUS33 | BUS45 |
| OCEH bas gauche / OCEH bottom-left | BUS13 | BUS34 | BUS46 |
| OCEBM bas droit / OCEBM bottom-right | BUS14 | BUS31 | BUS41 |
| OCEBM bas gauche / OCEBM bottom-left | BUS15 | BUS32 | BUS42 |
| OCEB haut gauche / OCEB top-left | BUS24 | BUS35 | BUS47 |
| OCEB haut droit / OCEB top-right | BUS25 | BUS36 | BUS48 |
| OCEM haut gauche / OCEM top-left | BUS26 | BUS37 | BUS43 |
| OCEM haut droit / OCEM top-right | BUS27 | BUS38 | BUS44 |

OCEB - Hauteur : 14 po (356 mm) / Heater height: 14 in (356 mm)

| Watts | Élément chauffant Heating element | Devant Front | Devant acier inoxydable Stainless steel front | Grille du haut Top grille | Grille du bas Bottom grille | Support mural Wall bracket | Protection thermique High-limit | Longueur du produit Product length | |
|-------|--------------------------------------|-----------------|--|------------------------------|--------------------------------|-------------------------------|------------------------------------|---------------------------------------|----------|
| | | | | | | | | m m | po in |
| 500 | ELA88 | EB02B0200DS* | EB52B0200 | EB03B0200D* | EB07B0200D* | OCEB-SUPPORT-492 | PRT27 | 492 | 19 7/16 |
| 750 | ELA89 | EB02B0300DS* | EB52B0300 | EB03B0300D* | EB07B0300D* | OCEB-SUPPORT-584 | PRT27 | 584 | 23 |
| 1000 | ELA90 | EB02B0400DS* | EB52B0400 | EB03B0400D* | EB07B0400D* | OCEB-SUPPORT-674 | PRT27 | 674 | 26 1/2 |
| 1250 | ELA91 | EB02B0500DS* | EB52B0500 | EB03B0500D* | EB07B0500D* | OCEB-SUPPORT-862 | PRT28 | 862 | 34 |
| 1500 | ELA92 | EB02B0600DS* | EB52B0600 | EB03B0600D* | EB07B0600D* | OCEB-SUPPORT-924 | PRT28 | 924 | 36 7/16 |
| 1750 | ELA93 | EB02B0700DS* | EB52B0700 | EB03B0700D* | EB07B0700D* | OCEB-SUPPORT-1044 | PRT29 | 1044 | 41 1/8 |
| 2000 | ELA94 | EB02B0800DS* | EB52B0800 | EB03B0800D* | EB07B0800D* | OCEB-SUPPORT-1179 | PRT29 | 1179 | 46 7/16 |
| 2500 | ELA94 + ELA88 | EB02B1000DS* | EB52B1000 | EB03B1000D* | EB07B1000D* | OCEB-SUPPORT-1579 | PRT31 | 1579 | 62 1/4 |
| 3000 | ELA94 + ELA90 | EB02B1100DS* | EB52B1100 | EB03B1100D* | EB07B1100D* | OCEB-SUPPORT-1760 | PRT31 | 1760 | 69 5/16 |

OCEM - Hauteur : 18.5 po (470 mm) / Heater height: 18.5 in (470 mm)

| Watts | Élément chauffant Heating element | Devant Front | Devant acier inoxydable Stainless steel front | Grille du haut Top grille | Grille du bas Bottom grille | Support mural Wall bracket | Protection thermique High-limit | Longueur du produit Product length | |
|-------|--------------------------------------|-----------------|--|------------------------------|--------------------------------|-------------------------------|------------------------------------|---------------------------------------|----------|
| | | | | | | | | m m | po in |
| 500 | ELA79 | EM02B0200DS* | EM52B0200 | EM03B0200D* | EM07B0200D* | OCEM-SUPPORT-344 | PRT37 | 344 | 13 1/2 |
| 750 | ELA80 | EM02B0300DS* | EM52B0300 | EM03B0300D* | EM07B0300D* | OCEM-SUPPORT-418 | PRT27 | 418 | 16 1/2 |
| 1000 | ELA81 | EM02B0400DS* | EM52B0400 | EM03B0400D* | EM07B0400D* | OCEM-SUPPORT-492 | PRT27 | 492 | 19 7/16 |
| 1250 | ELA82 | EM02B0500DS* | EM52B0500 | EM03B0500D* | EM07B0500D* | OCEM-SUPPORT-584 | PRT27 | 584 | 23 |
| 1500 | ELA83 | EM02B0600DS* | EM52B0600 | EM03B0600D* | EM07B0600D* | OCEM-SUPPORT-674 | PRT27 | 674 | 26 1/2 |
| 1750 | ELA84 | EM02B0700DS* | EM52B0700 | EM03B0700D* | EM07B0700D* | OCEM-SUPPORT-769 | PRT28 | 769 | 30 5/16 |
| 2000 | ELA85 | EM02B0800DS* | EM52B0800 | EM03B0800D* | EM07B0800D* | OCEM-SUPPORT-862 | PRT28 | 862 | 34 |
| 2500 | ELA86 | EM02B1000DS* | EM52B1000 | EM03B1000D* | EM07B1000D* | OCEM-SUPPORT-1044 | PRT29 | 1044 | 41 1/8 |
| 3000 | ELA87 | EM02B1100DS* | EM52B1100 | EM03B1100D* | EM07B1100D* | OCEM-SUPPORT-1229 | PRT29 | 1229 | 48 7/16 |

OCEH - Hauteur : 27 po (685 mm) / Heater height: 27 in (685 mm)

| Watts | Élément chauffant <i>Heating element</i> | Devant <i>Front</i> | Devant acier inoxydable <i>Stainless steel front</i> | Grille du haut <i>Top grille</i> | Grille du bas <i>Bottom grille</i> | Support mural <i>Wall bracket</i> | Protection thermique <i>High-limit</i> | Longueur du produit <i>Product length</i> | |
|-------|---|------------------------|---|-------------------------------------|---------------------------------------|--------------------------------------|---|--|-----------------|
| | | | | | | | | m m | po <i>in</i> |
| 500 | ELA70 | EH02B0200DS* | EH52B0200 | EH03B0200D* | EH07B0200D* | OCEH-SUPPORT-270 | PRT37 | 270 | 10 5/8 |
| 750 | ELA71 | EH02B0300DS* | EH52B0300 | EH03B0300D* | EH07B0300D* | OCEH-SUPPORT-344 | PRT37 | 344 | 13 1/2 |
| 1000 | ELA72 | EH02B0400DS* | EH52B0400 | EH03B0400D* | EH07B0400D* | OCEH-SUPPORT-418 | PRT27 | 418 | 16 1/2 |
| 1250 | ELA73 | EH02B0500DS* | EH52B0500 | EH03B0500D* | EH07B0500D* | OCEH-SUPPORT-492 | PRT27 | 492 | 19 7/16 |
| 1500 | ELA74 | EH02B0600DS* | EH52B0600 | EH03B0600D* | EH07B0600D* | OCEH-SUPPORT-584 | PRT27 | 584 | 23 |
| 1750 | ELA75 | EH02B0700DS* | EH52B0700 | EH03B0700D* | EH07B0700D* | OCEH-SUPPORT-674 | PRT27 | 674 | 26 1/2 |
| 2000 | ELA76 | EH02B0800DS* | EH52B0800 | EH03B0800D* | EH07B0800D* | OCEH-SUPPORT-714 | PRT27 | 714 | 28 1/8 |
| 2500 | ELA77 | EH02B1000DS* | EH52B1000 | EH03B1000D* | EH07B1000D* | OCEH-SUPPORT-862 | PRT28 | 862 | 34 |
| 3000 | ELA78 | EH02B1100DS* | EH52B1100 | EH03B1100D* | EH07B1100D* | OCEH-SUPPORT-1044 | PRT29 | 1044 | 41 1/8 |