

SAISW-4/8S-M12-4P D-COD

Weidmüller Interface GmbH & Co. KG
Klingenbergstraße 26
D-32758 Detmold
Germany

www.weidmueller.com

Similar to illustration



M12 plug-in connector in IP 67 available with crew or tension clamp connection

General ordering data

Version	Field attachable connector, M12, pin, 90°
Order No.	1160550000
Type	SAISW-4/8S-M12-4P D-COD
GTIN (EAN)	4032248948444
Qty.	1 pièce(s)

SAISW-4/8S-M12-4P D-COD

Weidmüller Interface GmbH & Co. KG

Klingenbergstraße 26

D-32758 Detmold

Germany

www.weidmueller.com

Caractéristiques techniques

Dimensions and weights

Net weight	66 g
------------	------

Technical data customisable plug-in connectors

Cable diameter, max.	8 mm	Cable diameter, min.	6 mm
Coding	D-coded	Conductor cross-section, max.	0,75 mm ²
Conductor cross-section, min.	0,14 mm ²	Connection cross-section, max.	0,75 mm ²
Connection cross-section, min.	0,14 mm ²	Contact surface	Gold-plated
Housing main material	CuZn	Insulation strength	10 ⁸ Ω
Number of poles	4	Plugging cycles	≥ 100
Pollution severity	3	Protection degree	IP67
Rated current	4 A	Rated voltage	250 V
Shield connection	Yes	Temperature range of housing	-40 ... +85 ° C
Threaded ring material	Diecast zinc	Type of connection	Screw connection

General Info

Number of poles	4	Connection 1	M12
Connection 2	Screw	Housing main material	CuZn
Connection thread	M12	Contact surface	Gold-plated
Protection degree	IP67	Plugging cycles	≥ 100

Electrical properties

Insulation strength	10 ⁸ Ω	Rated voltage	250 V
---------------------	-------------------	---------------	-------

General standards

Certificate No. (cURus)	E307231	Connector standard	IEC 61076-2-101
-------------------------	---------	--------------------	-----------------

Standards

Connector standard	IEC 61076-2-101
--------------------	-----------------

Classifications

ETIM 6.0	EC002635	ETIM 7.0	EC002635
ETIM 8.0	EC002635	ETIM 9.0	EC002635
ECLASS 9.0	27-44-01-02	ECLASS 9.1	27-44-01-03
ECLASS 10.0	27-44-01-02	ECLASS 11.0	27-44-01-02
ECLASS 12.0	27-44-01-16	ECLASS 13.0	27-44-01-02
ECLASS 14.0	27-44-01-16		

Environmental Product Compliance

RoHS Compliance Status	Compliant with exemption
RoHS Exemption (if applicable/known)	6c
REACH SVHC	Lead 7439-92-1 Imidazolidine-2-thione 96-45-7
SCIP	bcee35cf-c0f5-43d2-8daf-65ab0d08641a

SAISW-4/8S-M12-4P D-COD

Weidmüller Interface GmbH & Co. KG
Klingenbergstraße 26
D-32758 Detmold
Germany

www.weidmueller.com

Caractéristiques techniques

Approvals

Approvals



ROHS	Conform
UL File Number Search	UL Website
Certificate No. (cURus)	E307231

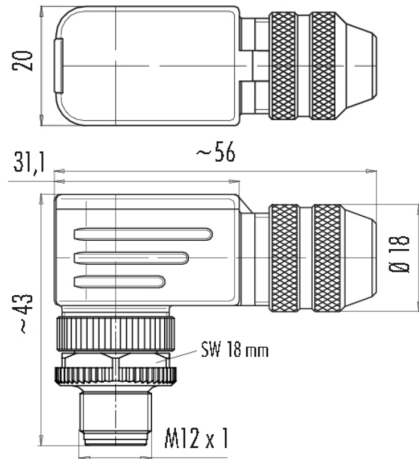
Downloads

Approval/Certificate/Document of Conformity	PROFINET Manufacturer's Declaration
Engineering Data	CAD data – STEP
Catalogues	Catalogues in PDF-format
Brochures	FL FIELDWIRING EN FL FIELDWIRING EN

SAISW-4/8S-M12-4P D-COD

Weidmüller Interface GmbH & Co. KG
Klingenbergstraße 26
D-32758 Detmold
Germany

www.weidmueller.com

Dessins**Dimensioned drawing****Pole scheme**