

IE-FCM-USB-A

Weidmüller Interface GmbH & Co. KG
Klingenbergstraße 26
D-32758 Detmold
Germany

www.weidmueller.com



Service interface FrontCom[®] Micro with USB in IP65

General ordering data

| | |
|------------|--|
| Version | FrontCom Micro USB coupling, USB 2.0, Type A |
| Order No. | 1018840000 |
| Type | IE-FCM-USB-A |
| GTIN (EAN) | 4032248730094 |
| Qty. | 10 pièce(s) |

IE-FCM-USB-A

Weidmüller Interface GmbH & Co. KG
 Klingenbergstraße 26
 D-32758 Detmold
 Germany

www.weidmueller.com

Caractéristiques techniques

Dimensions and weights

| | | | |
|----------------------|----------|----------------------|------|
| Wall thickness, min. | 1 mm | Wall thickness, max. | 5 mm |
| Net weight | 16,915 g | | |

Temperatures

| | |
|-----------------------|----------------|
| Operating temperature | -40 °C...70 °C |
|-----------------------|----------------|

General Info

| | | | |
|------------------------|--------------------------------------|-----------------------|---------------------|
| Connection 1 | USB A | Connection 2 | USB A |
| Description of article | FrontCom Micro USB coupling, USB 2.0 | Wiring | Type A |
| Colour | black | Housing main material | PA UL 94 V0 |
| Type of mounting | Cabinet, Distribution box | Shielding | 360° shield contact |
| Protection degree | IP65, in closed state | Plugging cycles | ≥ 1500 |

General standards

| | | | |
|-------------------------|---------|--------------------|-----------------|
| Certificate no. (cULus) | E316369 | Connector standard | IEC 61076-3-107 |
|-------------------------|---------|--------------------|-----------------|

Classifications

| | | | |
|-------------|-------------|-------------|-------------|
| ETIM 6.0 | EC001031 | ETIM 7.0 | EC001031 |
| ETIM 8.0 | EC001031 | ETIM 9.0 | EC001031 |
| ECLASS 9.0 | 27-18-27-02 | ECLASS 9.1 | 27-18-27-90 |
| ECLASS 10.0 | 27-18-27-02 | ECLASS 11.0 | 27-18-27-02 |
| ECLASS 12.0 | 27-18-28-92 | ECLASS 13.0 | 27-18-28-92 |
| ECLASS 14.0 | 27-18-28-92 | | |

Environmental Product Compliance

| | |
|------------------------|-----------------------------|
| RoHS Compliance Status | Compliant without exemption |
| REACH SVHC | No SVHC above 0.1 wt% |

Approvals

Approvals



| | |
|-------------------------|------------|
| ROHS | Conform |
| UL File Number Search | UL Website |
| Certificate no. (cULus) | E316369 |

IE-FCM-USB-A

Weidmüller Interface GmbH & Co. KG
Klingenbergstraße 26
D-32758 Detmold
Germany

www.weidmueller.com

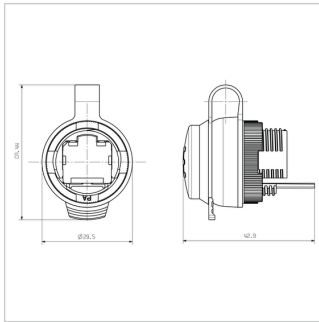
Caractéristiques techniques**Downloads**

| | |
|---|--|
| Approval/Certificate/Document of Conformity | DUXR.E316369 |
| Engineering Data | CAD data – STEP |
| Product Change Notification | Technical change of the housing of the FrontCom® Micro Technische Änderung des Gehäuses der FrontCom® Micro |
| User Documentation | MAN IE GUIDE DE MAN IE GUIDE EN Manual |
| Catalogues | Catalogues in PDF-format |
| Brochures | FL FIELDWIRING EN PI PROFINET CABLING EN PI PROFINET CABLING EN |

Fiche de données**IE-FCM-USB-A**

Weidmüller Interface GmbH & Co. KG
Klingenbergstraße 26
D-32758 Detmold
Germany

www.weidmueller.com

Dessins**Dimensioned drawing****Installation cut-out**