

Certifications and compliances:

NEC, CEC & IEC

- Class I, Division 2, Groups A, B, C, D
- Class II, Groups E, F, G
- Class III
- Class I, Zone 2 AEx ec mb IICT*GC
- Zone 21 tb IIIC
- Simultaneous Presence
- Wet Locations, Type 4X

UL standards

- UL 844 Hazardous (Classified)
- UL1598 Luminaires, UL1598A Marine

CSA standard

- CSA C22.2 No. 137

IEC/ATEX standards

- IEC 60079-0:2011, 6th Edition / EN 60079-0:2012
- IEC 60079-7:2010, 5.1 Edition / EN 60079-7:2015
- IEC 60079-31:2008, 2nd Edition / EN 60079-31:2014
- IEC 60529:2001 / EN 60529:2001
- IEC 60598-1:2008 / EN 60598-1:2008
- IEC 60598-2:2008 / EN 60598-2:2008
- IEC 60079-18:2017, 4.1 Edition / EN 60079-18:2015 + A1:2017

Luminaire markings

- IECEx UL 13.0052X
- DEMKO 13 ATEX 1305741X
- DEMKO 13 ATEX 1475031X

100-277 VAC/127-250 VDC (UNV1 base luminaire only)

- II 3 G EX ec mb IIC T5 Gc -40°C to +40°C
- II 3 G EX ec mb IIC T5 Gc -40°C to +55°C
- II 3 G EX ec mb IIC T4 Gc -40°C to +65°C
- II 2 D Ex tb IIIC T72°C Db -40°C to +40°C
- II 2 D Ex tb IIIC T87°C Db -40°C to +55°C
- II 2 D Ex tb IIIC T92°C Db -40°C to +65°C

Qualifications and compliances:

- DesignLights Consortium® Qualified (pending)*

Refer to www.designlights.org Qualified Products List under family models for full listing details. Not all models are approved for all application categories.

Temperature codes, UNV1 driver:

VMVL-3 to VMVL-11	40°C	55°C	65°C
Class I, Division 2	T5	T5	T4A
Class II, Division 1	T5	T4A	T4A
Simultaneous rating Class I, Division 1 & II	T3C	T3A	T3A
Class I, Zone 2 AEx nA nR; Ex nA nR	T5	T5	T4
Class III, Div. 1 Class II, Div. 1, Groups E, F, G Zone 21 AEx tb IIIC	T72°C	T72°C	T92°C

Electrical ratings:

Model	Input power (watts)	Input amps at 277 VAC	All models
VMVL-3	26	0.27-0.10	Voltage range, VAC* 100-277V at 50/60 Hz
VMVL-5	43	0.45-0.16	Voltage range, VDC 127-250V
VMVL-7	59	0.61-0.21	Power factor ≥0.90
VMVL-9	73	0.76-0.26	THD ≤20%
VMVL-11	91	0.92-0.32	

*IEC voltage; 100-240 VAC @ 50/60 Hz
 **For VMVL-3:PF>0.9 from 100-255 VAC

EMC / CE compliance:

If the dimming interface of the LED driver is connected to an external dimmer which is not provided with the luminaire, a ferrite core must be used on the input and dimming lines. Approved ferrite cores are: Fair-Rite P/N 0431167281.

Standard materials:

- Lamp housing and adapter - die cast aluminum with Corro-free™ epoxy powder coat
- Lens - heat- and impact-resistant glass
- Gaskets - silicone
- External hardware - stainless steel
- Factory-sealed, no external seals required

LED system:

- High intensity discrete power emitters
- Standard: cool white (5000K, 70 CRI); optional: warm white, (3000K, 80 CRI) or neutral white (4000K, 70 CRI)
- Custom Type I, III and V optics available

Weights:

Model	lbs.	kg.
VMVL-3 to VMVL-7	19.00	8.62
VMVL-9 & VMVL-11	19.20	8.70

Mounting module	lbs.	kg.
Pendant	1.25	0.57
Cone pendant	4.00	1.81
Flexible pendant	1.50	0.68
Ceiling	2.75	1.25
Wall	4.50	2.04
Angled stanchion	3.50	1.59
Straight stanchion	4.50	2.04

Ordering information

(For Type III optics and UNV34 models, see VMV ordering information on page 11)

Part number example: **VMVL-3-N-2A-R1-G-UNV1-S831-S891**

Champ VMVL, 3,000 lumens, 4000K neutral white, ¾" pendant mount, Type I optics, wire guard, 100-277 VAC driver, safety cable, diffused glass lens

VMVL - 3 - N - 2A - R1 - G - UNV1 - S831 - S891

Light source/intensity†

3	3,250 nominal lumens
5	5,537 nominal lumens
7	7,442 nominal lumens
9	9,234 nominal lumens
11	11,114 nominal lumens

†Refer to Champ VMV ordering information on page 11 for 13,000 to 21,000 lumen models.

Color temperature

BLANK	5000K, 70 CRI (<i>cool white</i>)
N*	4000K, 70 CRI (<i>neutral white</i>)
W	3000K, 80 CRI (<i>warm white</i>)

*Consult factory for lead time
**5700K and 6500K are available upon request; consult factory.

Lens guard

BLANK	No guard
G	Wire guard

Accessories & options†

S812	Trunnion mount kit with pin (<i>available with ceiling mount only</i>)
S831	Safety cable
S890	Quick clip
TB6*	Six-pole terminal block

†Ordered with fixture or available separately.
*For NEC/CEC only.

Voltage†

UNV1	100-277 VAC, 50/60 Hz; 127-250 VDC
-------------	---------------------------------------

*IEC voltage; 100-240 VAC at 50/60 Hz

†Refer to Champ VMV ordering information on page 11 for UNV34 voltage ranges and redundant drivers.

Optics†

BLANK	Type V (all mounts)
R1	Type I (<i>all mounts minus ceiling</i>)
R1A	Type I (<i>Ceiling mount with conduit 45° counterclockwise or 135° clockwise from hinge</i>)
R1B	Type I (<i>Ceiling mount with conduit 45° clockwise or 135° counterclockwise from hinge</i>)

†Refer to Champ VMV ordering information on page 11 for Type III optics.

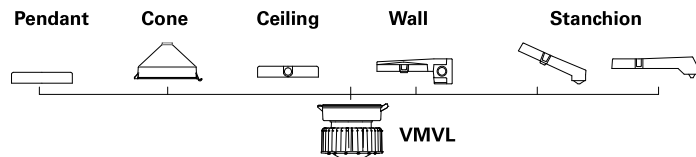
Mounting

BLANK	No mounting module	25A	25mm pendant	20C	20mm ceiling
J	1-½" stanchion, 25° angled	2B	¾" cone pendant	25C	25mm ceiling
P	1-½" stanchion, straight	3B	1" cone pendant	2TW	¾" wall
2A	¾" pendant	2HA	¾" flexible pendant	3TW	1" wall
3A	1" pendant	2C	¾" ceiling	20TW	20mm wall
20A	20mm pendant	3C	1" ceiling	25TW	25mm wall

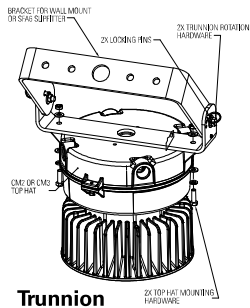
Lens material

BLANK	Clear glass
S891	Diffused glass
S896*	Teflon coated lens
S903	Polycarbonate

*For NEC/CEC only.



Accessories (ordered separately)



Trunnion

Mounting & hardware

VMVL S812 K1	Trunnion mount kit with pin*
VMVL S812 K1 DBR	PVC coated trunnion mount kit with pin*
VMVL S831 K1	Safety cable
VMVL S890 K1	Quick clip
CHMM1	Top hat adapter (<i>mounts to Appleton Mercmaster III top hats</i>)

*Available with ceiling mounted modules only.

Replacement driver kit

VMVL-3-5-7L-UNV1-DRIVER KIT	Replacement driver kit for VMVL-3, -5 and -7 models
VMVL-9-11L-UNV1-DRIVER KIT	Replacement driver kit for VMVL-9 and -11 models

Photocells

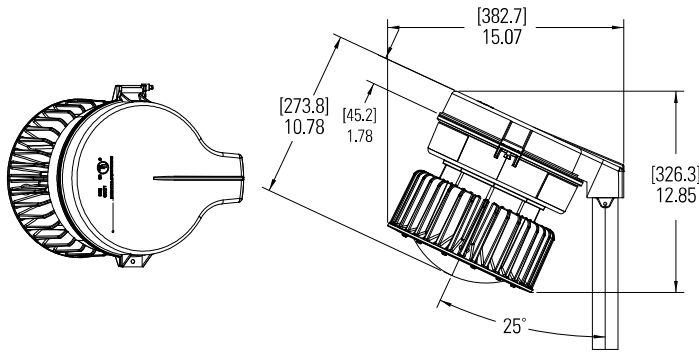
D2S20	Photocell, 120V
D2S208 277	Photocell, 208-277V

Lens guard

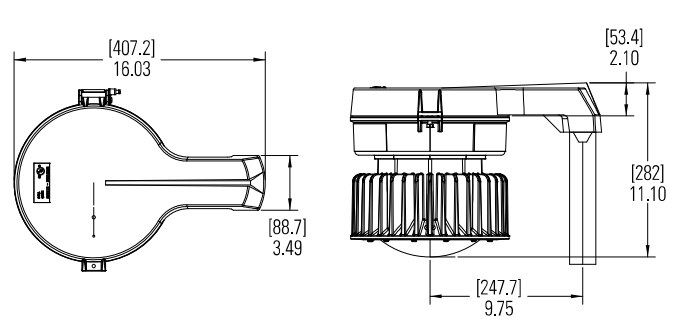
PA3001	Wire guard
---------------	------------

Mounting options and dimensions

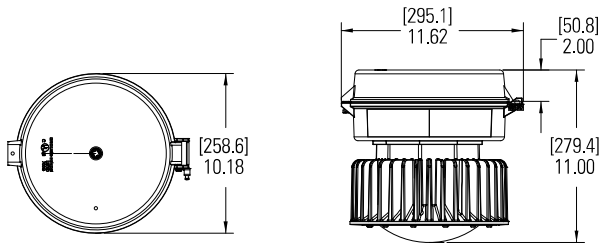
Stanchion - 25° angled



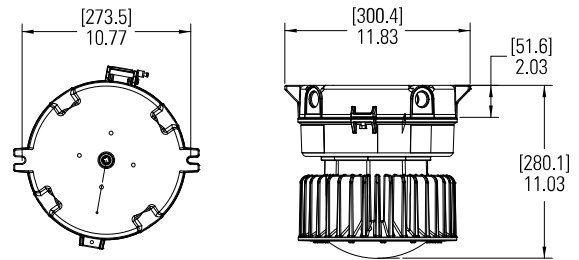
Stanchion - straight



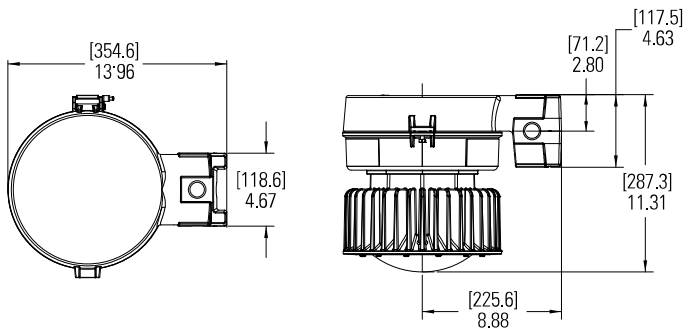
Pendant



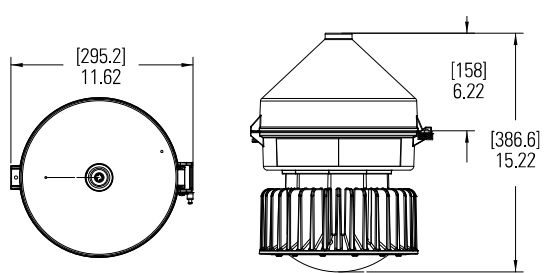
Ceiling



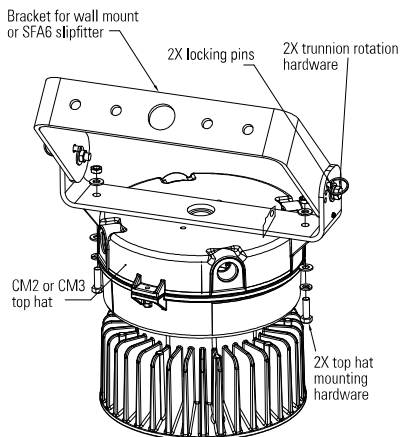
Wall



Cone pendant



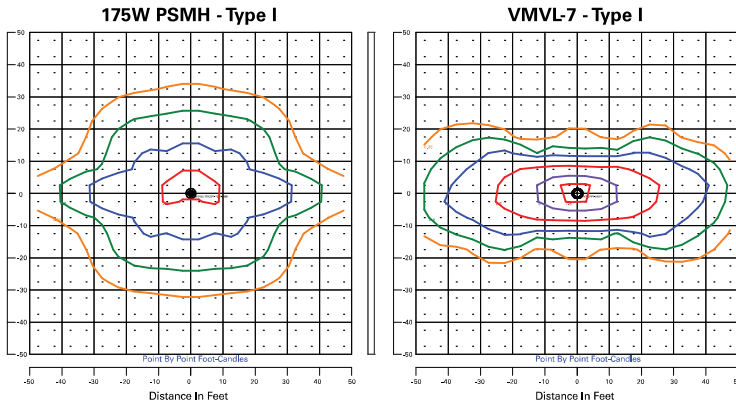
Trunnion



Mounting module series

Pendant	Cone	Ceiling	Wall	Stanchion
APM2 APM3 HPM2	BPM2 BPM3	CM2 CM3	TWM2 TWM3	JM5 PM5
VMVL-*				

Photometric comparison at 15 ft. mounting height

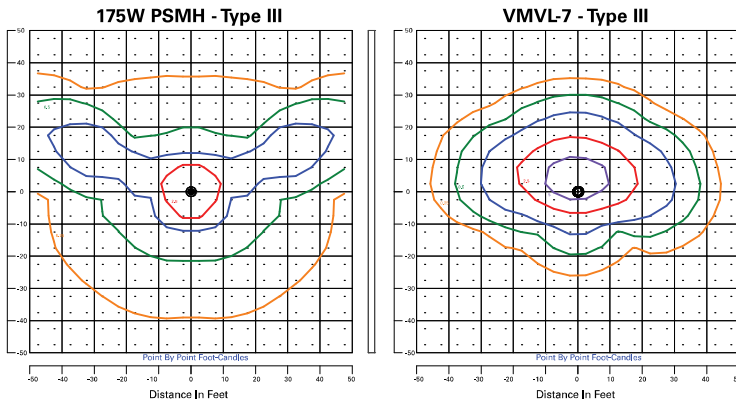


Type I optical pattern



Calculation summary

Label	Calc. type (in Fc)	Avg.	Max.	Min.
VMV 175W MH Grid	Illuminance	0.45	2.8	0.0
VMV LED Grid	Illuminance	0.62	8.0	0.0

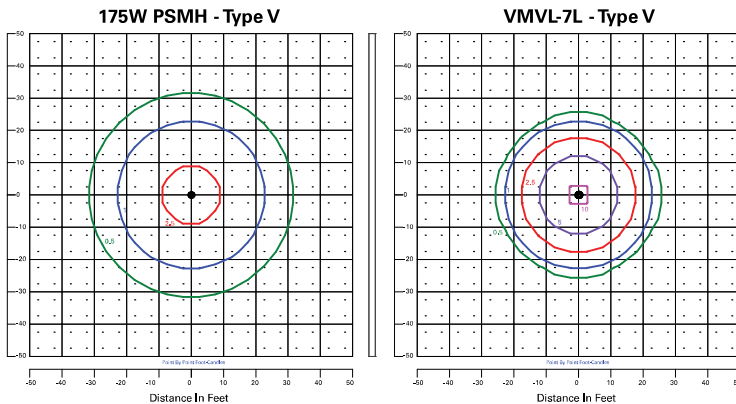


Type III optical pattern



Calculation summary

Label	Calc. type (in Fc)	Avg.	Max.	Min.
VMV 175W MH Grid	Illuminance	0.53	3.2	0.1
VMV LED Grid	Illuminance	0.61	7.5	0.0



Type V optical pattern



Calculation summary

Label	Calc. type (in Fc)	Avg.	Max.	Min.
VMV 175W MH Grid	Illuminance	0.51	2.8	0.1
VMV LED Grid	Illuminance	0.69	10.1	0.0

Higher average footcandles, uniformity and distribution coverage with less than half the lumens and energy consumption compared to 175W metal halide

Actual lumens (nominal)†	VMVL-3	VMVL-5	VMVL-7	VMVL-9	VMVL-11
Type I	3,360	5,045	6,844	8,823	10,730
Type III	3,309	4,468	6,741	8,618	10,660
Type V	3,250	5,537	7,442	9,234	11,114

† Tolerance +/- 10%.