

Project: \_\_\_\_\_

Type: \_\_\_\_\_

Drawn by: \_\_\_\_\_

Catalogue #: \_\_\_\_\_

Date: \_\_\_\_\_

## Individual Spec Sheet

# LED REFLECTOR

## PAR20

### ORDERING INFORMATION

**Order code:** 68222  
**Model number:** P20/S2/7W/40K/25/STD  
**UPC:** 69549015326  
**Case quantity:** 12

### PHYSICAL DATA

**Dimensions:** 3 3/16" x 2 1/2" (81 x 63 mm)  
**Shape:** PAR20  
**Base:** E26  
**Heat sink color:** White

### PERFORMANCE DATA

**Watts (W):** 7  
**Volts (VAC):** 120  
**Colour temperature (K):** 4 000  
**Lumen output (lm):**<sup>2</sup> 550  
**Lumen per Watts (lm/W):** 79  
**CRI:** 90  
**Life L70 (h):**<sup>3</sup> 54 000  
**Beam angle (°):** 25  
**CBCP:** 3 829  
**Power factor:** 0.70  
**Frequency (Hz):** 60  
**Operating temp. range:** - 20 °C / - 4 °F to 40 °C / 104 °F

<sup>1</sup> Typical colour temperature range: +/- 5 %

<sup>2</sup> Lumen values are derived from photometric testing. Initial lumens range: +/- 10 %

<sup>3</sup> Life hours are derived from IESNA LM80-08 testing report and projected per IESNA TM-21-11 extrapolations

### COMPATIBLE DIMMERS

Brand	Model
LEGRAND	HCL453P
COOPER	SAL06P, SLC03P, AAL06
LEVITON	IPL06, 6674
LUTRON	DVCL-153P, CTCL-153P, MACL-153P, AYCL-253P, DVCL-253P, DVELV-300P, SELV-300P

NOTE: The above table shows dimmers that have been tested and have demonstrated proper operation under normal conditions. Each installation being unique, various factors such as load, common neutrals or other electrical products on the circuit can, in certain instances, cause variance in system performance. Read and comply to the dimmer installation instructions. Consult dimming system manufacturer for additional support in operation. Standard recommends to use dimmers designed to work with LED products. Older dimmers designed for incandescent products may cause erratic operation. Some dimmers may require more than one product for stable operation. The maximum number of products is determined by the dimmer wattage rating with LEDs. Be careful, these dimmers have different ratings depending on the product type. Again, refer to the dimmer installation instructions.

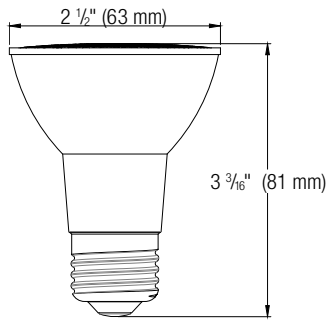


This lighting equipment complies with Canadian standard ICES-005 for use in residential applications.

Data is based upon tests performed in a controlled environment.

Actual performance can vary depending on operating conditions. Specifications are subject to change without notice.

**DIMENSIONS**



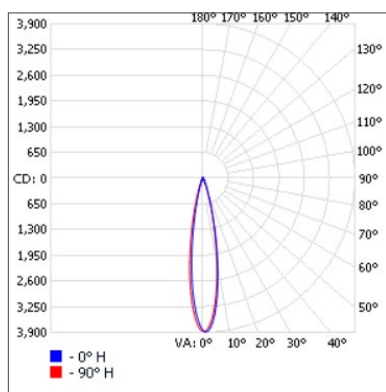
**CAUTIONS**

- Turn power off before inspection, installation, or removal.
- Suitable for use in totally enclosed luminaires.
- Suitable for use in damp locations.
- Do not open – no user serviceable parts inside.
- Use only on 120 VAC, 60Hz circuits.
- This device is not intended for use with emergency exit fixtures or emergency exit lights.
- Compatible with most dimmers.
- For complete dimmer and warranty information visit [www.standardpro.com](http://www.standardpro.com).
- Operating temperature: -20°C / -4°F to 40 °C / 104 °F.
- 5 Years Limited Warranty.

**PHOTOMETRIC DATA<sup>1</sup>**

68222 • P20/S2/7W/27K/40/STD • 638.4 lm

**Polar candela distribution**



**Zonal lumen summary**

Zone	Lumens	% Fixture
0-30	563.2	88.2
0-40	589.7	92.4
0-60	620.9	97.3
60-90	17.6	2.7
0-90	638.4	100

**Illuminance at a distance**

Center beam fc	Beam width
17.0'	5.8' 6.0'
34.0'	11.6' 12.1'
51.0'	17.4' 18.1'
68.0'	23.2' 24.2'
85.0'	29.0' 30.2'
102.0'	34.8' 36.3'

■ Vert. spread: 19.3°  
■ Horiz. spread: 20.0°

<sup>1</sup> Complete IES files available on our website.

Qty	Description	Price

I accept the specifications of the luminaire configuration mentioned above.

Name: \_\_\_\_\_  
 Company: \_\_\_\_\_  
 Signature: \_\_\_\_\_

Date: \_\_\_\_\_

Data is based upon tests performed in a controlled environment. Actual performance can vary depending on operating conditions. All products are subject to change or may be discontinued any time without notice.