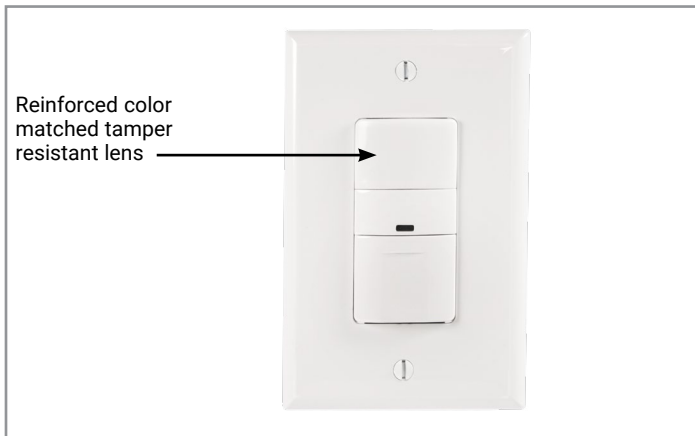


Project		Catalog #		Type	
Prepared by		Notes		Date	



# Greengate

## OSW-P-120/277V PIR

Single Level Wall Switch Sensor  
(Ground Required)

### Typical Applications

Office • Small Conference Rooms • Lunch/Break Rooms • Classrooms • Restrooms (No Stalls) • Lounges • Waiting Rooms • Closets • Storage Areas

### Interactive Menu

- Order Information page 2
- Additional Resources page 2
- Wiring Diagrams page 3
- Connected Systems page 4
- Product Warranty

### Product Certification



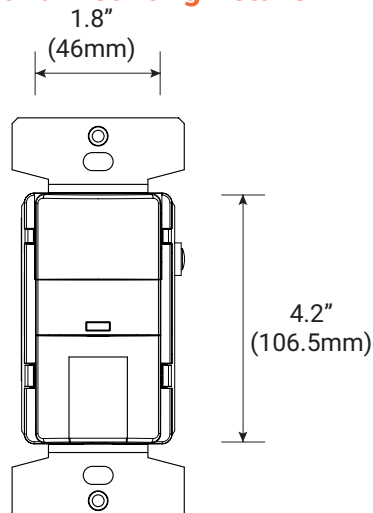
### Product Features



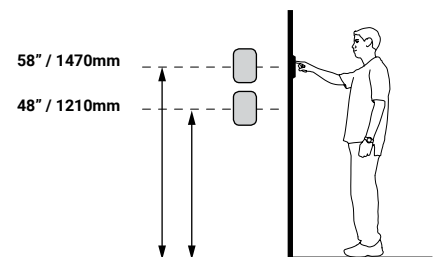
### Top Product Features

- Replaces single or 3-way switches
- No neutral wire
- Integral Daylight Sensor
- Choice of Manual On or Auto On operation
- Works with Incandescent, LED, Fluorescent, CFL, MLV, ELV or 1/2 HP motor load
- NEMA WD7 Standard robotic method utilized to verify coverage patterns

### Dimensional and Mounting Details



### Scale or Mounting Height



additional product diagrams

## Order Information

SAMPLE ORDER NUMBER: **OSW-P-1001-MV**

One single gang wallplate included

### Catalog Number

Catalog Number	Ratings	Coverage	Voltage	Color
<b>OSW-P-1001-MV</b> (*-W, V, LA, G, B)	Incandescent: 0-1800W @ 120V Fluorescent: 0-1200W @ 120V Fluorescent: 0-2200W @ 277V Max Load/Relay	180°; 1000 sq. ft.	120/277 VAC, 50/60 Hz	W=White, V=Ivory, LV=Light Almond, G=Gray, B=Black
				<b>Notes</b> Not all colors are available in stock and some color options may have extended lead times.

## Product Specifications

### Technology

- Passive Infrared (PIR)

### Mechanical

**Mounting Plate/Strap Dimensions:** 4.2" H x 1.8" W (106.55mm x 46mm)

**Product Housing Dimensions:** 2.87" H x 1.6" W x 1.42" D (72.8mm x 40.7mm x 36mm)

### Environment:

- Operating temperature:** 32°F to 104°F (0°C to 40°C)
- Relative humidity operating:** 20% to 90% non-condensing
- For indoor use only

**Housing:** Durable, injection molded housing. ABS resin complies with UL 94V-0

**Mounting:** Fits in a standard 3.5" deep back box Can be mounted in multiple gang back box Refer to NEC box calculation for properly sized mounting box

### Electrical

#### Electrical ratings (per relay):

- 120 VAC
  - Incandescent / Magnetic Low Voltage/Magnetic Ballast – Max load: 15A, 800W, 50/60 Hz
  - LED / Compact Fluorescent / Electronic Low Voltage / Electronic Ballast – Max load: 10A, 1200W, 60 Hz
  - Motor Load: 1/2 HP @ 125 VAC
- 277VAC
  - Magnetic Low Voltage / Magnetic Ballast / LED / Compact Fluorescent / Electronic Low Voltage / Electronic Ballast - Max load: 8A, 2200W, 60 Hz

#### No Minimum Load Requirement

## Overview

The OSW-P-1001-MV Passive Infrared Single Level or 3-way Occupancy Sensing Wall Switch is a motion sensing lighting control and conventional wall switch all-in-one that is used to for energy savings and convenience.

OSW-P-1001-MV is designed to detect motion from a heat-emitting source (such as a person entering a room) within its field-of-view and automatically switch lights ON. These sensors have multi-segmented lenses. For units to sense motion, the person must cross between two segments. The distance between segments increases the farther you are from the sensor, so motion has to be larger the farther you are from the unit. PIR sensors are considered line-of-sight sensors, meaning that the sensor must be able to have a direct line-of-sight to the person making the motion. In Automatic On Mode, the lights turn ON when a person enters the room. In Manual On Mode, the lights are turned ON by pressing the pushbutton. The sensor provides true multi-way ON/OFF control. When lights have been activated, the lights will remain ON as long as one of the sensor(s) continue to detect motion. The occupant may manually turn OFF the lighting by pressing the ON/OFF button on any of the connected devices. If the room becomes vacant and the lights are ON, the lights will turn OFF when the unit that detected motion last times-out.

### Hardware Specifications

#### LED Indicators:

- Red LED for Ultrasonic detection

### Controls and Performance

#### Time delays:

- Selectable 5 seconds/test, 5 minutes (factory default), 10 and 30 minutes

#### Coverage:

- Major motion: 1000 sq. ft.
- Minor motion: 300 sq. ft.

#### Light sensing level:

- 0 to 200 foot candles

### Standards/Ratings

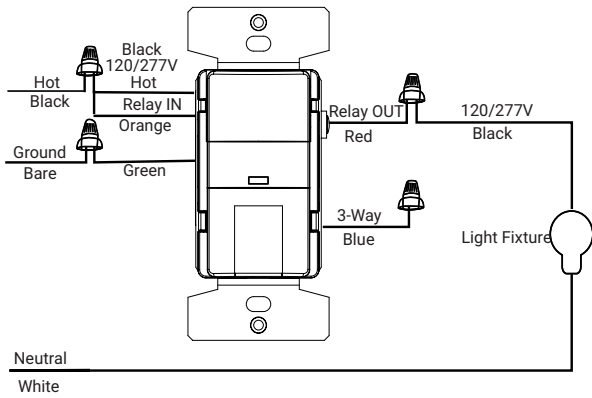
- cULus Listed - Energy Management Equipment (UL916)
- FCC Compliant
- RoHS Compliant

### Warranty

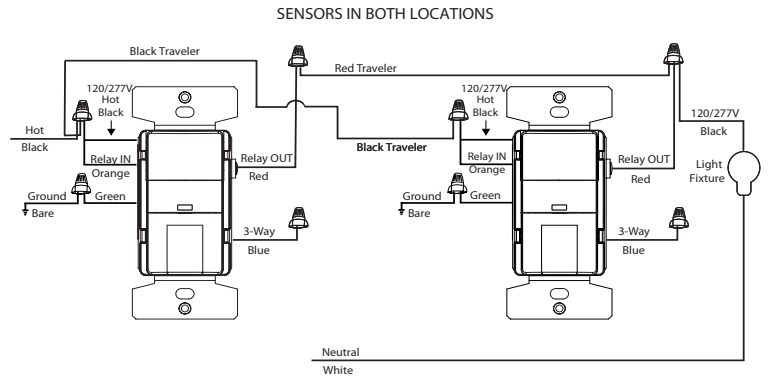
Five year warranty standard

## Wiring Diagrams

### Single Level Switching

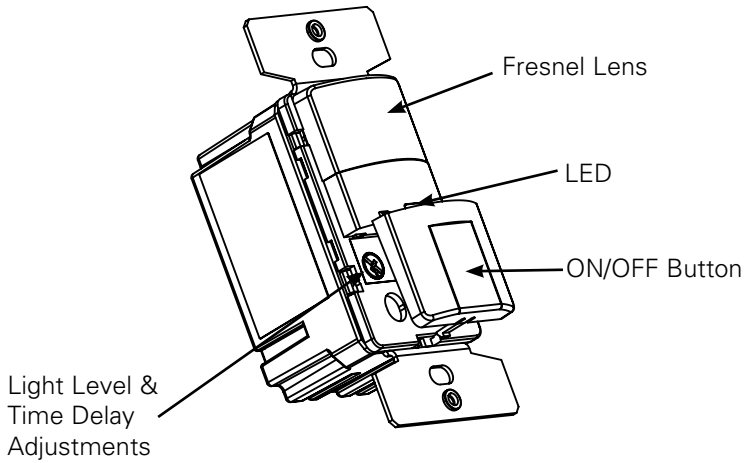


### Three-way wiring

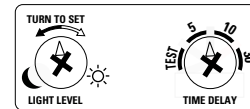


\*For additional wiring diagrams refer to installation instructions

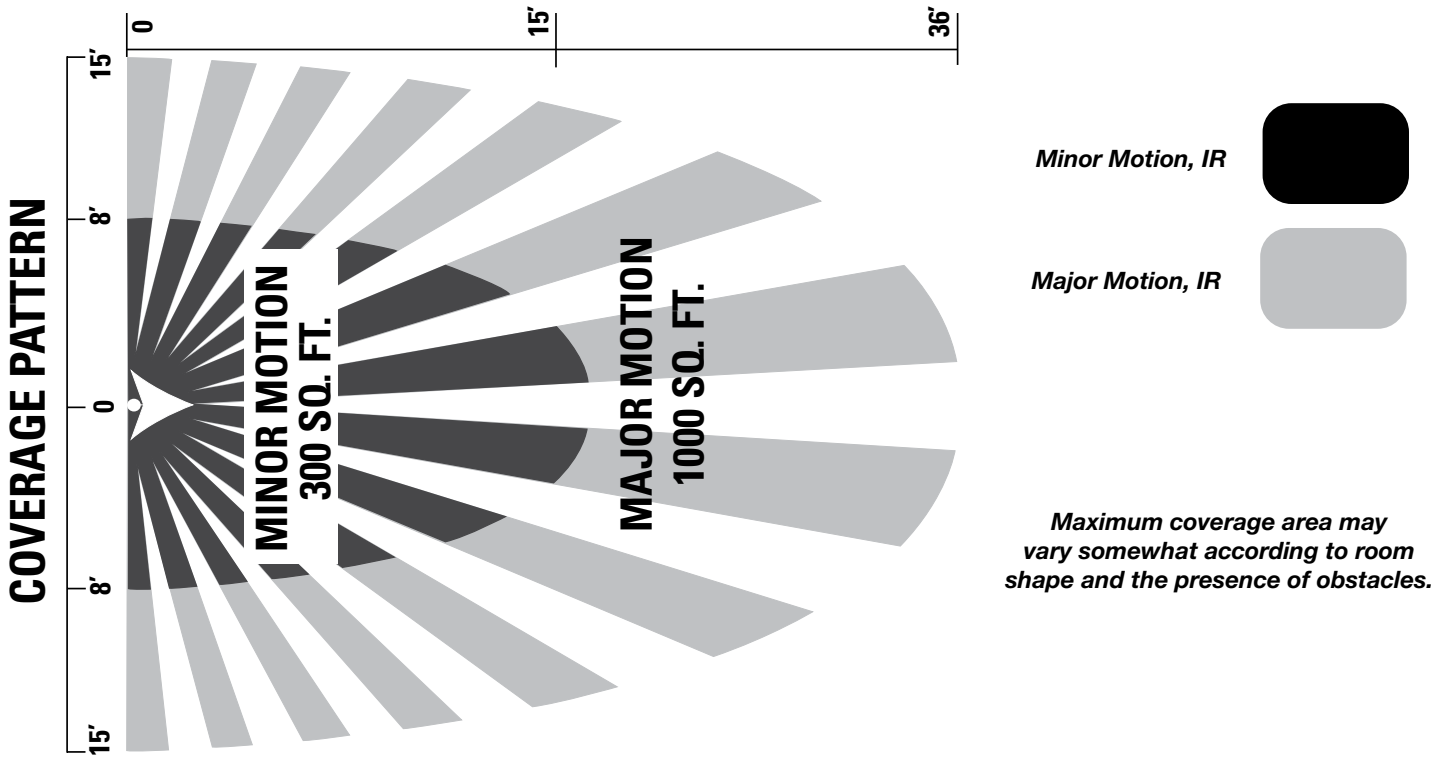
## Controls



### Light Levels & Time Delay Adjustments



Field of View



**Control Systems**

- Greengate