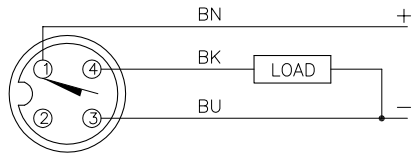
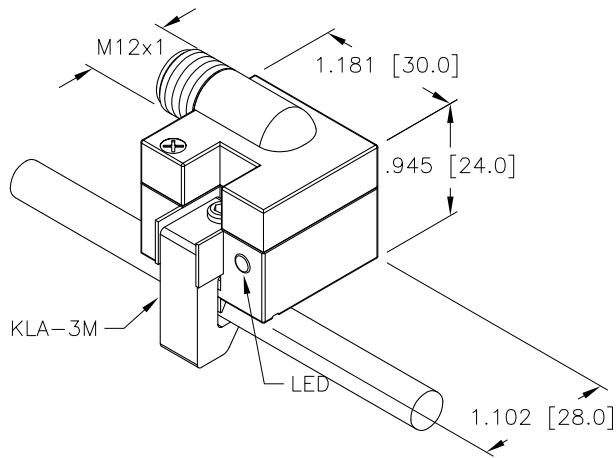


WIRING DIAGRAM



OUTPUT: AP6X

SHORT-CIRCUIT AND OVERLOAD PROTECTED



SPECIFICATIONS

OPERATING VOLTAGE	10-30 VDC
RIPPLE	≤ 10%
DIFFERENTIAL TRAVEL (HYSTERESIS)	≤ 1 mm
VOLTAGE DROP ACROSS CONDUCTING SENSOR	≤ 2.3 V at 200 mA
OUTPUT FUNCTION	NORMALLY OPEN 3-WIRE DC SELF-CONTAINED
TTL COMPATIBLE	NO
SHORT-CIRCUIT PROTECTED	YES
TRIGGER CURRENT FOR OVERLOAD PROTECTION	≥ 220 mA
CONTINUOUS LOAD CURRENT	≤ 200 mA
OFF-STATE (LEAKAGE) CURRENT	< 10μ A
NO-LOAD CURRENT	≤ 2.0 mA
TIME DELAY BEFORE AVAILABILITY	≤ 5 ms
POWER-ON EFFECT PROTECTION	INCORPORATED
REVERSE POLARITY PROTECTION	INCORPORATED
WIRE-BREAK PROTECTION	INCORPORATED
OPERATING TEMPERATURE	-25°C to +70°C (-13°F to +158°F)
ENCLOSURE	MEETS NEMA 1, 3, 4, 6, 13 AND IEC IP67
SHOCK	30 g, 11 ms
VIBRATION	55 Hz, 1 mm AMPLITUDE (IN ALL 3 PLANES)
LED FUNCTION	RED: OUTPUT ENERGIZED
SWITCHING FREQUENCY	1000 Hz
REPEATABILITY	≤ 0.1 mm (CONSTANT TEMPERATURE AND VOLTAGE)
SWITCHING POINT DRIFT	≤ 0.1 mm
MAXIMUM APPROACH VELOCITY	10 m/second
MAGNETIC ACTUATION STRENGTH	20-350 GAUSS (2-35 mT)

SOURCE DRAWING - FOR REFERENCE ONLY

NOTES:

1. MOUNTING CLAMP KLA-3M1 INCLUDED WITH SENSOR. MOUNTING CLAMP KLA-2 ALSO AVAILABLE. (ORDER SEPARATELY)

RELATED DOCUMENTS 1. 2. 3. 4.	3RD ANGLE PROJECTION 	THIS DRAWING IS PROPERTY OF TURCK INC. USE OF THIS DOCUMENT WITHOUT WRITTEN PERMISSION IS PROHIBITED.		3000 CAMPUS DRIVE MINNEAPOLIS, MN 55441 1-800-544-7769 (763) 553-7300 (763) 553-0708 fax turck.com	
	MATERIAL PA 12-GF30 PLASTIC	DRFT RWC	DATE 02/18/09	DESCRIPTION BIM-AKT-AP6X-H1141 W/KLA-3M	
FINISH	ALL DIMENSIONS DISPLAYED ON THIS DRAWING ARE FOR REFERENCE ONLY	DSGN	SCALE NONE	UNIT OF MEASUREMENT INCH [MILLIMETER]	IDENTIFICATION NO. M4675096
CONTACT TURCK FOR MORE INFORMATION		DO NOT SCALE THIS DRAWING		REV A	FILE: M4675096
A	DRAWING RELEASE	RWC	02/18/09	SHEET 1 OF 1	
REV	DESCRIPTION	BY	DATE	ECO NO.	