



Main

| | |
|---------------------------|-------------------------------------|
| Range of Product | Harmony 9001K Harmony 9001SK |
| Product or Component Type | Light block |
| Device short name | 9001K |
| Bulb base | BA 9s |
| Light block supply | Direct via integral transformer 6 V |

Complementary

| | |
|---------------------------|--------------------------|
| Net Weight | 0.32 lb(US) (0.144 kg) |
| Light source | Incandescent bulb |
| [Us] rated supply voltage | 380...480 V AC/DC |
| [Us] rated supply voltage | 380...480 V |
| Light block supply | Via integral transformer |
| Supply frequency | 50...60 Hz |
| Size | 30 mm |

Environment

| | |
|---------------------------------------|--|
| Protective treatment | TC |
| Ambient Air Temperature for Storage | -40...158 °F (-40...70 °C) |
| Ambient Air Temperature for Operation | -13...158 °F (-25...70 °C) |
| IP degree of protection | IP20 IEC 60529 |
| Standards | UL 508 JIS C 852 EN/IEC 60947-5-1 CSA C22.2 No 14 EN/IEC 60947-5-4 EN/IEC 60947-1 JIS C 4520 |
| Product Certifications | NEMA[RETURN]JUL 508 |
| Electrical shock protection class | Class II IEC 61140 |
| Vibration resistance | 7 gn 2...500 Hz)IEC 60068-2-6 |
| Shock resistance | 50 gn IEC 60068-2-27 |

Ordering and shipping details

| | |
|-------------------|-----------------------------|
| Category | 21435-9001 KM LIGHT MODULES |
| Discount Schedule | CS1 |
| GTIN | 785901725336 |
| Returnability | Yes |
| Country of origin | MX |

The information provided in this documentation contains general descriptions and/or technical characteristics of the performance of the products contained herein. This documentation is not intended as a substitute for and is not to be used for determining suitability or reliability of these products for specific user applications. It is the duty of any such user or integrator to perform the appropriate and complete risk analysis, evaluation and testing of the products with respect to the relevant specific application or use thereof. Neither Schneider Electric Industries SAS nor any of its affiliates or subsidiaries shall be responsible or liable for misuse of the information contained herein.

Packing Units

| | |
|------------------------------|---------------------|
| Unit Type of Package 1 | PCE |
| Number of Units in Package 1 | 1 |
| Package 1 Height | 1.90 in (4.826 cm) |
| Package 1 Width | 2.30 in (5.842 cm) |
| Package 1 Length | 3.70 in (9.398 cm) |
| Package 1 Weight | 5.28 oz (149.686 g) |

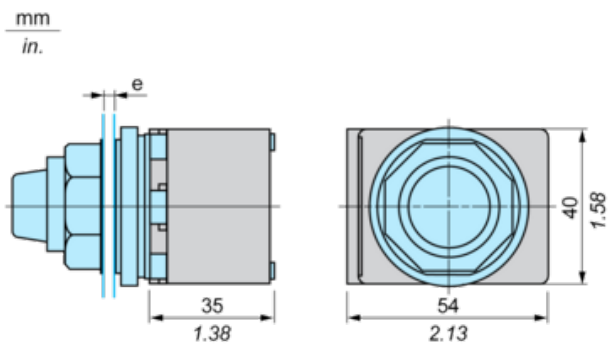
Offer Sustainability

| | |
|----------------------------|---|
| Sustainable offer status | Green Premium product |
| California proposition 65 | WARNING: This product can expose you to chemicals including: Lead and lead compounds, which is known to the State of California to cause cancer and birth defects or other reproductive harm. For more information go to www.P65Warnings.ca.gov |
| REACH Regulation | REACH Declaration |
| EU RoHS Directive | Pro-active compliance (Product out of EU RoHS legal scope) |
| Mercury free | Yes |
| China RoHS Regulation | China RoHS Declaration |
| RoHS exemption information | Yes |
| Environmental Disclosure | Product Environmental Profile |
| Circularity Profile | No need of specific recycling operations |
| WEEE | The product must be disposed on European Union markets following specific waste collection and never end up in rubbish bins. |

Contractual warranty

| | |
|----------|-----------|
| Warranty | 18 months |
|----------|-----------|

Dimensions



e panel thickness: 1 to 6 mm / 0.04 to 0.24 in.