

## Optional Accessories

### Finger Guards

The HPS Imperator line of machine tool industrial molded control transformers are available with the following optional finger guard kits:

#### Optional Unfused Finger Guard Kits

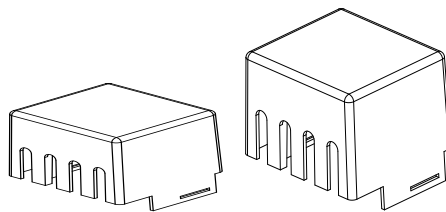
| Kit Part Number | Applicable Transformer Part Number Suffixes                 | Applicable VA Sizes |
|-----------------|---|---------------------|
| <b>FG1</b>      | AJ, AR, MQMJ, MEMX, QR, SP, PG, PP                          | 50                  |
| <b>FG2</b>      | MBMH, MGJ, MLI  | 50                  |
| <b>FG2</b>      | All   | 75                  |
| <b>FG2</b>      | All (excluding PH100MBMH)<br>Refer to FG3, FG4 or FG5 below | 100<br>150 to 1500  |

**Note:** Each finger guard kit supplies either the primary or secondary side.  
Included in the kit: 1 finger guard (unfused) and PHAK1 instruction sheet

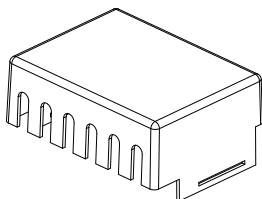
#### Optional Fused Finger Guard Kits

| Kit Part Number | Applicable Transformer Part Number Suffixes | Applicable VA Sizes | Parts Included in Kit                           |
|-----------------|---|---------------------|---|
| <b>FGF1</b>     | AJ, AR, MQMJ, MEMX, QR, SP, PG, PP          | 50                  | 1 finger guard (fused), PHAK1 instruction sheet |
| <b>FGF2</b>     | MBMH, MGJ, MLI                              | 50                  | 1 finger guard (fused), PHAK1 instruction sheet |
| <b>FGF2</b>     | All   | 75                  | 1 finger guard (fused), PHAK1 instruction sheet |
| <b>FGF2</b>     | All (excluding PH100MBMH)                   | 100                 | 1 finger guard (fused), PHAK1 instruction sheet |
| <b>FG3</b>      | MBMH  | 100                 | 1 finger guard, PHAK1 instruction sheet         |
| <b>FG3</b>      | All   | 150                 | 1 finger guard, PHAK1 instruction sheet         |
| <b>FG3</b>      | AJ, AR, MQMJ, MEMX, QR, SP, PG, PP          | 250                 | 1 finger guard, PHAK1 instruction sheet         |
| <b>FG4</b>      | MBMH, MGJ, MLI                              | 250                 | 1 finger guard, PHAK1 instruction sheet         |
| <b>FG4</b>      | All   | 350, 500            | 1 finger guard, PHAK1 instruction sheet         |
| <b>FG4</b>      | AJ, AR, MQMJ, QR, SP, PP                    | 750                 | 1 finger guard, PHAK1 instruction sheet         |
| <b>FG5</b>      | MBMH, MEMX, MGJ, MLI, PG                    | 750                 | 1 finger guard, PHAK1 instruction sheet         |
| <b>FG5</b>      | All   | 1000, 1500          | 1 finger guard, PHAK1 instruction sheet         |

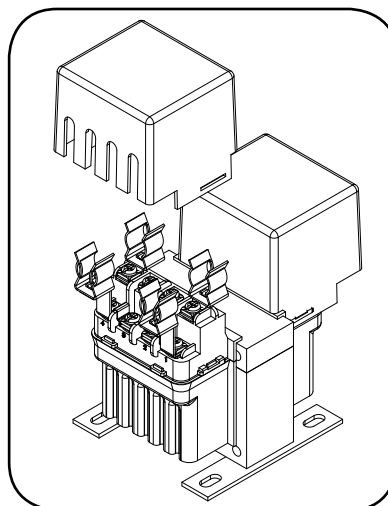
**Note:** Each finger guard kit supplies either the primary or secondary side.



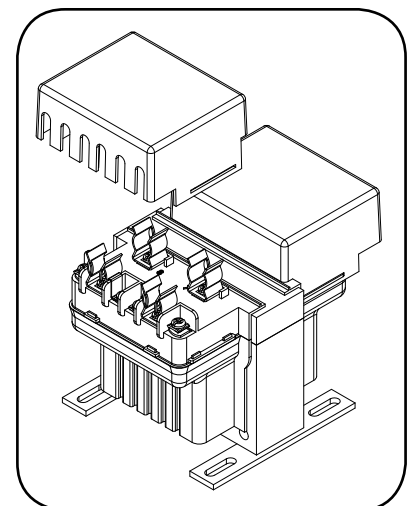
**Sample Accessory Drawing  
for Fused & Unfused  
Finger Guards**  
(for 50, 75 and 100VA)



**Sample Accessory Drawing  
for Finger Guards**  
(for 150VA and 1500VA)



**Sample Assembly Drawing  
for Finger Guard Installation**  
(For 50, 75 and 100VA)



**Sample Assembly Drawing  
for Finger Guard Installation**  
(For 150VA to 1500VA)