

PIB Series

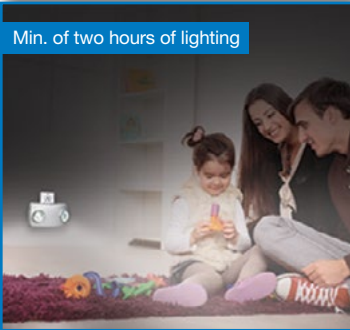
Plug-In Emergency LED Light



Automatically comes on



Min. of two hours of lighting



Plug-in installation



Light switch

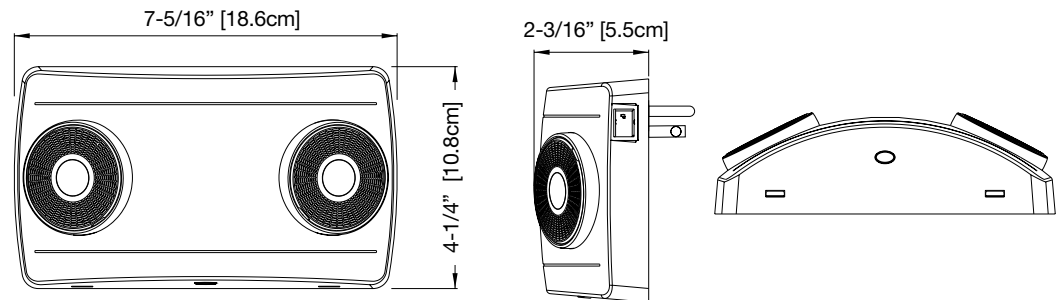


FEATURES

- Easy installation thanks to the plug-in concept
- Automatically comes on when a power failure is detected
- Provides a minimum of two (2) hours of lighting when fully charged
- Battery-operated portable lighting fixture for home or office
- Two (2) adjustable 2 x 1W LED lamps provide light where needed
- Wide angle lens illuminates open areas or pathway
- Rocking switch to power-off light when no longer needed saves battery energy
- Injection-molded thermoplastic ABS housing
- Sealed maintenance-free 3.6V Nickel-Metal Hydride battery
- Comes standard with one (1) year warranty

DIMENSIONS

Dimensions are approximate and subject to change



ORDERING INFORMATION

TNBPIB= Plug-In Emergency Light





When normal AC supply fail, use discharge switch control LED lamp ON or OFF.



On normal condition, LED charge indicator show red, press test switch simulate AC power fail, LED charge indicator turn off.

Housing

- Injection-molded thermoplastic ABS housing.
- Plastic enclosure with 5VA flame retardant.
- Fixture with plug-in type connector, suitable for residential market.
- Two fully adjustable glare-free square shape light heads for emergency light.

Electrical

- AC 120-240V 60Hz voltage operation.
- Power consumption 1.2 Watts max.
- Test switch and charge rate indicator.
- 3.6V long-life, maintenance-free, rechargeable Ni-Cad battery or Ni-Mh battery.
- Provided discharge switch control luminaire on or off.

Illumination

- Use SMD high power LED, CCT 6000K, L70 35,000 hours.
- 1 watt per head for standard model, 150lm output from luminaire.
- 2 watts per head for high lumen model, 260lm output from luminaire.

Mounting

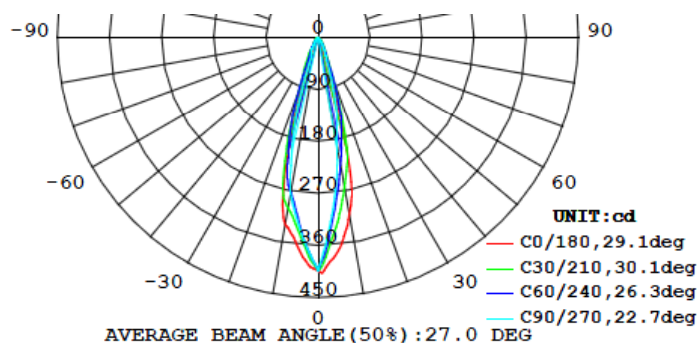
- Install on wall socket directly.

Warranty/Listing

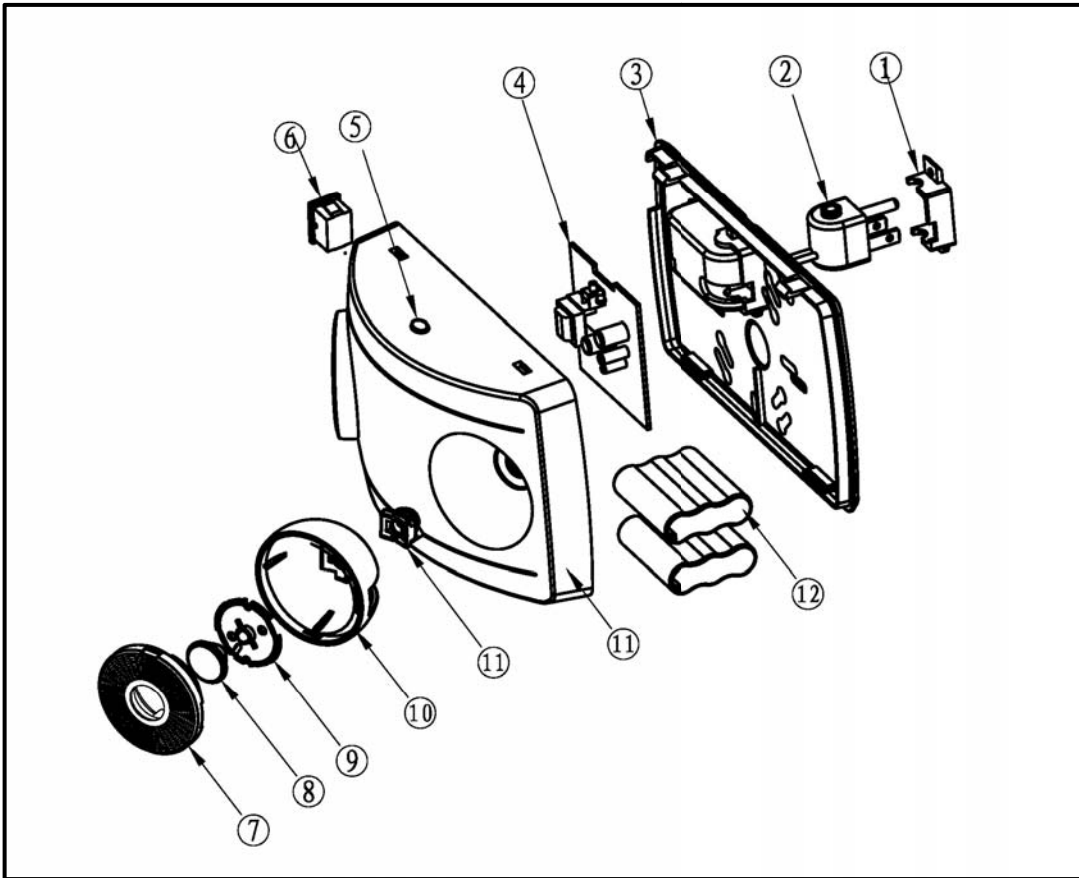
- Warranty for unit 3 years, warranty for battery 2 years.
- Suitable for use in 10°C-40°C ambient temperature, suitable for dry location.
- UL and cUL standard for Class 2 Power Units, UL 1310, and for Motor-Operated Appliances, UL 73. Canadian Standard for Portable Luminaires, C22.2 No. 12, and for Power Supplies with Extra-Low Voltage Class 2 output, CAN/CSA-C22.2 No. 223-M91.

Photometric

Luminous intensity distribution (single head)



Exploded and Material List



No.	Parts Name	Material	Q'Y
1	Plug holder	ABS	1pc
2	AC plug	PVC, Copper	1pc
3	Back plate	ABS	1pc
4	Main PCBA		1pc
5	Test button and charge indicator	Polycarbonate	1pc
6	Discharge switch	Nylon, Copper	1pc
7	Clear cover	Polycarbonate	2pcs
8	Lens	PMMA	2pcs
9	LED PCBA	ABS	2pcs
10	Lamp housing	ABS	2pcs
11	Housing	ABS	1pc
12	Ni-cad or Ni-Mh battery		1pc@2pcs