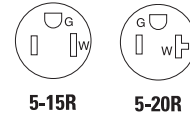


Arrow Hart hospital grade NAFTA compliant GFCI modular receptacles

Project Name:	Prepared By:
Project Number:	Date:
Catalog Number:	Type:

Description

2-pole, 3-wire grounding
 15A 125V/AC
 20A 125V/AC



SGFH20_MOD



Receptacle SPD push-in connector



Receptacle SPD screw terminal connector

Design features

- ArrowLink modular plug and connector incorporate a first make/last break grounding design
- Wire leads (where applicable) are crimped and resistance welded to plug and connector terminals
- Audible “click” when mating plug and connector indicates proper assembly
- Pre-wired plugs provide 100% inspected and consistent torque settings
- Exclusive screw terminal guards insulate conductive surfaces
- Hospital grade models UL Listed, fully compliant with all latest UL943 Class A GFCI and UL498 hospital grade requirements
- Tamper resistant models comply with 2014 NEC Article 406.12
- Lock-out functionality prevents miswired line-load connections and GFCI circuitry damage
- Performs periodic self-tests to ensure integrity of GFCI protection.

Table 1. Hospital grade GFCI modular receptacles

Catalog no.	Description	Rating		Color suffix
		A	V/AC	
<input type="checkbox"/> SGFH15__MOD	NEMA 5-15R hospital GFCI receptacle, back & side wire	15	125	B, GY, LA, RD, V, W
<input type="checkbox"/> SGFH20__MOD	NEMA 5-20R hospital GFCI receptacle, back & side wire	20	125	B, GY, LA, RD, V, W
<input type="checkbox"/> SGFH15F__MOD	NEMA 5-15R hospital GFCI receptacle, back & side wire NAFTA compliant	15	125	B, GY, LA, RD, V, W
<input type="checkbox"/> SGFH20F__MOD	NEMA 5-20R hospital GFCI receptacle, back & side wire NAFTA compliant	20	125	B, GY, LA, RD, V, W
<input type="checkbox"/> TRSGFH15__MOD	Tamper resistant NEMA 5-15R hospital GFCI receptacle, back & side wire	15	125	B, GY, LA, RD, V, W
<input type="checkbox"/> TRSGFH20__MOD	Tamper resistant NEMA 5-20R hospital GFCI receptacle, back & side wire	20	125	B, GY, LA, RD, V, W
<input type="checkbox"/> TRSGFH15F__MOD	Tamper resistant NEMA 5-15R hospital GFCI receptacle, back & side wire NAFTA compliant	15	125	B, GY, LA, RD, V, W
<input type="checkbox"/> TRSGFH20F__MOD	Tamper resistant NEMA 5-20R hospital GFCI receptacle, back & side wire NAFTA compliant	20	125	B, GY, LA, RD, V, W

Includes standard size unbreakable wallplate

Compliances, specifications and availability are subject to change without notice.



Powering Business Worldwide

Project Name:	Prepared By:
Project Number:	Date:
Catalog Number:	Type:

Table 2. ArrowLink receptacle connectors

Catalog no.	Description	Type
□ MCR300FTPI	Push-in building wire connector	ArrowLink SPD
□ MCR300FTPING	Push-in building wire connector, no ground conductor	ArrowLink SPD
□ MCR300FTST	Screw terminal building wire connector	ArrowLink SPD
□ MCR300FTSTNG	Screw terminal building wire connector, no ground conductor	ArrowLink SPD
□ MCR125SOL	125V Solid wire building wire connector	ArrowLink
□ MCR125STR	125V Stranded wire building wire connector	ArrowLink
□ MCR250SOL	250V Solid wire building wire connector	ArrowLink
□ MCR250STR	250V Stranded wire building wire connector	ArrowLink

Patent pending

Table 3. Specifications

Catalog no.		SGFH_MOD series and SGFH_F_MOD series ArrowLink: MCR125_, MCR250_, MCR300_ series	TRSGFH_MOD and TRSGFH_F_MOD series ArrowLink: MCR125_, MCR250_, MCR300_ series
Device type		Hospital grade duplex GFCI 15A & 20A	Hospital grade tamper resistant duplex GFCI 15A & 20A
Wiring type	Base device	Back & side wire	Back & side wire
	ArrowLink	Integral wire leads, crimped & resistance welded	Integral wire leads, crimped & resistance welded
	ArrowLink SPD	Backwire feed through	Backwire feed through
Testing & code compliance	Base device	<ul style="list-style-type: none"> cULus Listed to UL 498 and UL 943, file no. E60120 	<ul style="list-style-type: none"> cULus Listed to UL 498 and UL 943, file no. E60120
	ArrowLink	<ul style="list-style-type: none"> Plug & connector cULus Listed to UL 2459, file no. E325188 	<ul style="list-style-type: none"> Plug & connector cULus Listed to UL 2459, file no. E325188
	Combined	<ul style="list-style-type: none"> cULus Listed wiring assembly, UL file no. E326691 	<ul style="list-style-type: none"> cULus Listed wiring assembly, UL file no. E326691
Environmental specifications	Base device	Flammability: Meets UL 94 requirements; V2 rated Temperature rating: -35°C to 66°C (-31°F to 150.8°F)	Flammability: Meets UL 94 requirements; V2 rated Temperature rating: -35°C to 66°C (-31°F to 150.8°F)
	ArrowLink	Flammability: Meets UL 94 requirements; V2 rated Temperature rating: -35°C to 66°C (-31°F to 150.8°F)	Flammability: Meets UL 94 requirements; V2 rated Temperature rating: -35°C to 66°C (-31°F to 150.8°F)
Electrical specifications	Base device	Dielectric voltage: Withstands 2000V per UL 498 Current interrupting: Yes, at full-rated current Temperature rise: Max. 30°C (86°F) after 100 cycles of overload @ 150% of rated current (DC) Trip time: 0.025 seconds (Class A) Frequency: 60 Hz; Voltage: 125V; Amperage: 15A/20A 20A feed-through Short circuit testing: Meets and exceeds 10 kA Maximum interrupting capacity: 20 Amps	Dielectric voltage: Withstands 2000V per UL 498 Current interrupting: Yes, at full-rated current Temperature rise: Max. 30°C (86°F) after 100 cycles of overload @ 150% of rated current (DC) Trip time: 0.025 seconds (Class A) Frequency: 60 Hz; Voltage: 125V; Amperage: 15A/20A 20A feed-through Short circuit testing: Meets and exceeds 10 kA Maximum interrupting capacity: 20 Amps
	ArrowLink	Max. working voltage & continuous current: 300V/AC; 20A Overload: 52.5A/AC for 10 cycles Dielectric voltage: Withstands 1600V per UL 2459 Current interrupting: Limited cycles at full-rated current Temperature rise: Max. 50°C (122°F) while conducting 35A after 10 cycles of overload @ 52.5A/AC	Max. working voltage & continuous current: 300V/AC; 20A Overload: 52.5A/AC for 10 cycles Dielectric voltage: Withstands 1600V per UL 2459 Current interrupting: Limited cycles at full-rated current Temperature rise: Max. 50°C (122°F) while conducting 35A after 10 cycles of overload @ 52.5A/AC
Mechanical specifications	Base device	Terminal accommodation: #14 - 10 AWG	Terminal accommodation: #14 - 10 AWG
	ArrowLink	ArrowLink wire leads: #12 AWG ArrowLink SPD screw terminals: Accepts #12-#14 AWG stranded and solid wire ArrowLink SPD ground: Integral THHN #12 AWG 6" lead with ring terminal and #10 ground screw Voltage rating: Permanently marked on device	ArrowLink wire leads: #12 AWG ArrowLink SPD screw terminals: Accepts #12-#14 AWG stranded and solid wire ArrowLink SPD ground: Integral THHN #12 AWG 6" lead with ring terminal and #10 ground screw Voltage rating: Permanently marked on device
	ArrowLink models only	Material: UL recognized insulating material Dielectric strength: 2,000V min. HWI rating: 4 min. Relative temperature index, electrical: 80°C (176°F) Flammability: V0 (UL 94)	Material: UL recognized insulating material Dielectric strength: 2,000V min. HWI rating: 4 min. Relative temperature index, electrical: 80°C (176°F) Flammability: V0 (UL 94)

Project Name:	Prepared By:
Project Number:	Date:
Catalog Number:	Type:

Table 4. Materials

Catalog no.	SGFH_MOD series and SGFH_F_MOD series ArrowLink: MCR125, MCR250, MCR300_series	TRSGFH_MOD and TRSGFH_F_MOD series ArrowLink: MCR125, MCR250, MCR300_series
Device type	Hospital grade duplex GFCI 15A & 20A	Hospital grade tamper resistant duplex GFCI 15A & 20A
Base device	Top housing: Thermoplastic, nylon	Top housing: Thermoplastic, nylon
	Bottom housing: Polycarbonate	Bottom housing: Polycarbonate
	Strap: 0.047" thick steel, zinc-plated	Strap: 0.047" thick steel, zinc-plated
	Line contacts: 0.030" thick brass	Line contacts: 0.030" thick brass
	Terminal & ground screws: #8-32 steel, brass-plated; neutral screw nickel-plated, ground screw green	Terminal & ground screws: #8-32 steel, brass-plated; neutral screw nickel-plated, ground screw green
	Terminal clamps: 0.070" thick steel	Terminal clamps: 0.070" thick steel
ArrowLink	ArrowLink housing: Polycarbonate	ArrowLink housing: Polycarbonate
	ArrowLink contacts: Copper alloy	ArrowLink contacts: Copper alloy
	ArrowLink wire leads: Solid or stranded THHN #12 AWG	ArrowLink wire leads: Solid or stranded THHN #12 AWG
ArrowLink SPD	Housing: Polycarbonate	Housing: Polycarbonate
	Contacts: Copper alloy	Contacts: Copper alloy

Table 5. GFCI status indicator

Test indicator RED LED	Test indicator AMBER LED	Diagnosis	Color suffix
OFF	OFF	Device is functioning properly OR branch circuit may have no power	Manually depress TEST button to trip device. Amber light should come ON <ul style="list-style-type: none"> • If Amber light does <u>not</u> come ON, check if there is power to the branch • If Amber light does come ON, manually depress the RESET button to restore power to the device • If GFCI does not reset, replace GFCI • If GFCI does reset, device is functioning properly
OFF	ON	Device is in tripped state	Manually depress the RESET button to restore power to the device <ul style="list-style-type: none"> • If GFCI does not reset, replace GFCI
Blinking	OFF	Device's "end of life" indication OR device is in reset state	Manually depress TEST button to trip device. Amber light should come ON <ul style="list-style-type: none"> • If Amber light does <u>not</u> come ON, check if there is power to the branch • If Amber light does come ON, manually depress the RESET button to restore power to the device • If it does not reset, and/or the blinking continues, replace GFCI
Blinking	ON	Device's "end of life" indication OR device is in tripped state	Manually depress the RESET button to restore power to the device <ul style="list-style-type: none"> • If it does not reset, and/or the blinking continues, replace GFCI

Table 6. Color ordering information

For ordering devices, include Cat. no. followed by the color code: B (Brown), GY (Gray), LA (Lt. Almond), RD (Red), V (Ivory), W (White)

B	GY	LA	RD	V	W
Brown	Gray	Light Almond	Red	Ivory	White

Project Name:	Prepared By:
Project Number:	Date:
Catalog Number:	Type:

Product dimensions

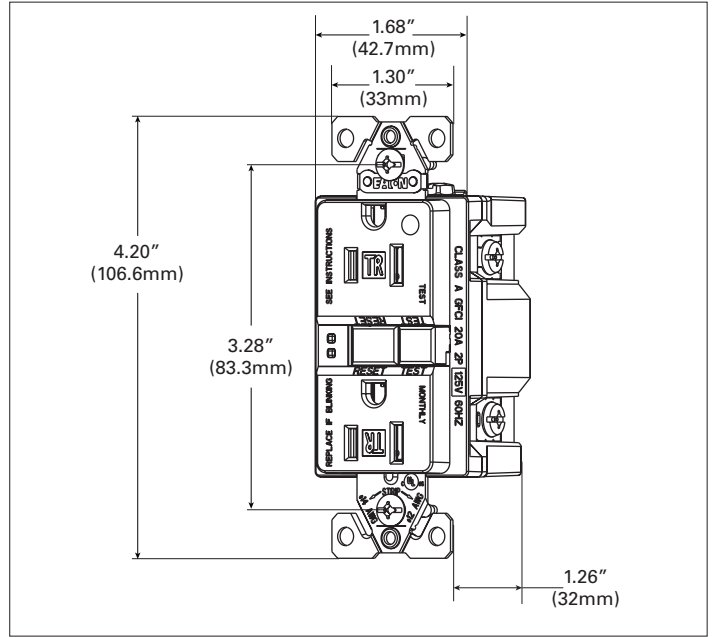
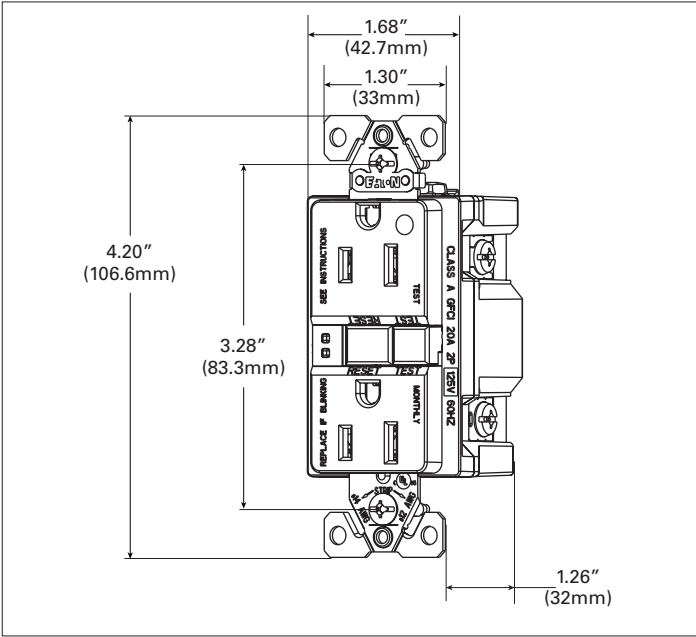


Figure 1. SGFH15F Line art with dimensions

Figure 2. TRSGFH15F Line art with dimensions

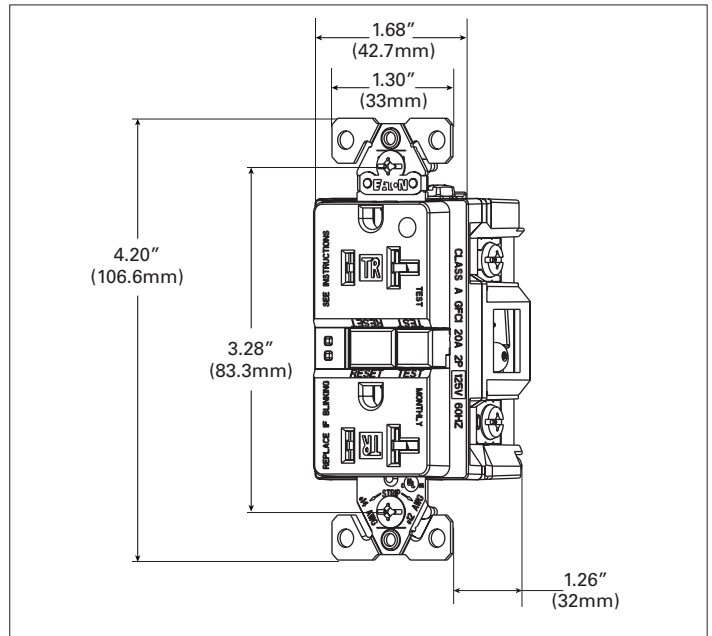
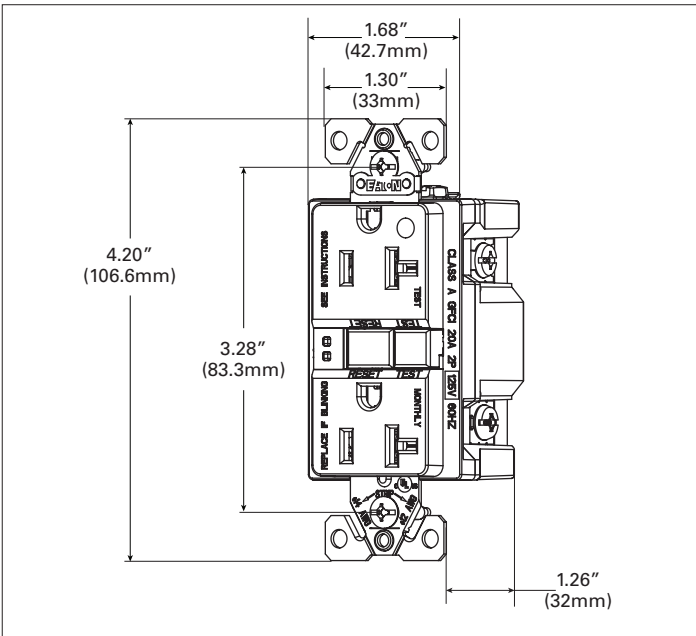






Figure 3. SGFH20F Line art with dimensions

Figure 4. TRSGFH20F Line art with dimensions

Project Name:	Prepared By:
Project Number:	Date:
Catalog Number:	Type:

Certifications & compliances

Catalog no.				
SGFH15__MOD	•		•	•
SGFH20__MOD	•		•	•
SGFH15F__MOD	•	•	•	•
SGFH20F__MOD	•	•	•	•
TRSGFH15__MOD	•		•	•
TRSGFH20__MOD	•		•	•
TRSGFH15F__MOD	•	•	•	•
TRSGFH20F__MOD	•	•	•	•
MCR300FTPI	•			
MCR300FTPING	•			
MCR300FTST	•			
MCR300FTSTNG	•			
MCR125SOL	•			
MCR125STR	•			
MCR250SOL	•			
MCR250STR	•			

KEY:  cULus  NAFTA  NOM  Build-To-Spec

 Build-To-Spec Customizable Devices

Compliances, specifications and availability are subject to change without notice.

Electrical Sector
203 Cooper Circle
Peachtree City, GA 30269
United States
Eaton.com
Cooperwiringdevices.com

Electrical Sector
Canada Operations
5925 McLaughlin Road
Mississauga, Ontario, L5R 1B8
Canada
EatonCanada.ca
Cooperwiringdevices.com

Electrical Sector
Mexico Operations
Carr. Tlalnepantla -
Cuautitlán Km 17.8 s/n
Col. Villa Jardín esq.
Cerrada 8 de Mayo
Cuautitlán, México CP 54800
México
Eaton.mx
Cooperwiringdevices.com

Eaton
1000 Eaton Boulevard
Cleveland, OH 44122
United States
Eaton.com

© 2015 Eaton
All Rights Reserved
Printed in USA
Publication No. TD610007EN
June 2015

Eaton is a registered trademark.
All other trademarks are property
of their respective owners.