

Seismic Transitional Attachments

TOLCO™ Fig. 98 - Rod Stiffener

TOLCO™ Fig. 98B - Rod Stiffener with Break-Off Bolt Head

Size Range: Secures 3/8"-16 thru 7/8"-9 hanger rod

Material: Steel

Function: Secures channel to hanger rod for vertical seismic bracing.

Approvals: Included in our Seismic Engineering Guidelines approved by the State of California Office of Statewide Health Planning and Development (**OSHPD**). For additional load, spacing and placement information relating to OSHPD projects, please refer to our Seismic Engineering Guidelines OPM-0052-13.

Finish: Electro-Galvanized. Contact customer service for alternative finishes and materials.

Weight: Approx. Wt./100 Fig. 98 - 11.8 lbs. (5.3kg)
Fig. 98B - 12.7 lbs. (5.7kg)

Order By: Figure number and finish

OPM



Fig. 98

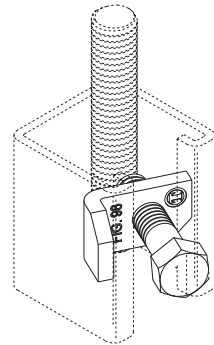
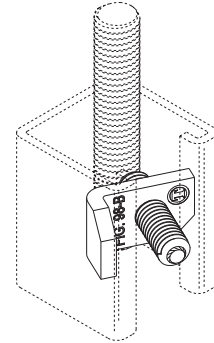


Fig. 98B



SC228 - Hanger Rod Stiffener

Size Range: Secures 3/8"-16 thru 5/8"-11 hanger rod

Material: Steel

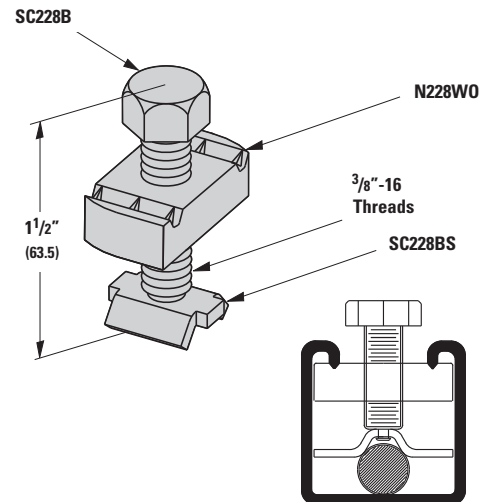
Function: Secures channel to hanger rod for vertical seismic bracing. Slight distortion of the channel (strut) may occur upon installation of rod stiffeners.

Finish: Electro-Galvanized. Contact customer service for alternative finishes and materials.

Weight: Approx. Wt./100 - 21.0 lbs. (9.5kg)

Order By: Part number and finish

Note: Order channel separately



Seismic System Attachments

Rod Stiffener Requirements

Rod Size	Maximum Rod Length Without Rod Stiffener	Maximum Spacing Between Rod Stiffeners
3/8"	19" (482mm)	13" (330mm)
1/2"	25" (635mm)	18" (457mm)
5/8"	31" (787mm)	23" (584mm)
3/4"	37" (940mm)	28" (711mm)
7/8"	43" (1092mm)	33" (838mm)
1"*	50" (1270mm)	38" (965mm)
1 1/4"*	60" (1524mm)	43" (1092mm)

* Use with SC228 only.

Notes:

- 1.) Rod stiffeners are required only on hanger and trapeze assemblies that have seismic bracing attached at or within 6" (152.4mm) of the rod. A minimum of two rod stiffeners (Fig. 98, Fig. 98B or SC228) must be installed.
- 2.) Recommended torque on Fig. 98 and SC228 is 8 lbs•ft (10.8N•m) or finger tight and one full turn with a wrench. Fig. 98B has the break off bolt head.

All dimensions in charts and on drawings are in inches. Dimensions shown in parentheses are in millimeters unless otherwise specified.