



### Main

Range of Product	Altivar
Range Compatibility	Altivar Machine ATV340 Altivar&Nbsp;Process ATV900 Altivar Machine ATV320
Product or Component Type	Power module
Device Application	Energy regeneration
[Us] rated supply voltage	380...500 V - 15...10 %
[Ue] rated operational voltage	456...778 V DC
Kw Rating	6.8 kW

### Complementary

Network Frequency	45...65 Hz
Phase	3 phase
Fixing Mode	By screws
Maximum voltage drop at rated load	3 %
Electrical connection	Control removable screw terminal block 0.5...1.5 mm <sup>2</sup> , AWG 20...AWG 16 (bottom) Power supply removable screw terminal block 2.5...4 mm <sup>2</sup> , AWG 12...AWG 10 (top) DC bus removable screw terminal block 2.5...4 mm <sup>2</sup> , AWG 12...AWG 10 (bottom)
Input current	16.5 A 380 V AC voltage inputs continuous) 14.5 A 500 V AC voltage inputs continuous) 22.9 A 380 V AC voltage inputs transient for 60 s) 19.1 A 500 V AC voltage inputs transient for 60 s)
Input power	6.8 KW 380...500 V AC voltage inputs continuous) 10.2 kW 380...500 V AC voltage inputs transient for 60 s)
Maximum DC bus voltage	300...880 V DC
Output Current	13.4 A 380 V AC continuous) 11.9 A 500 V AC continuous) 18.4 A 380 V AC transient for 60 s) 15.4 A 500 V AC transient for 60 s)
Width	3.15 in (80 mm)
Height	13.27 in (337 mm)
Depth	6.89 in (175 mm)
Net Weight	13.23 lb(US) (6 kg)

### Environment

Standards	IEC 61800-5-1 IEC 61800-3
Product Certifications	cUL
Ambient air temperature for operation	14...122 °F (-10...50 °C) without derating 122...140 °F (50...60 °C) with derating factor
Ambient Air Temperature for Storage	-40...158 °F (-40...70 °C)
Operating altitude	<= 3280.84 ft (1000 m) without derating 3280.84...9842.52 ft (1000...3000 m) with power derating 1 % per 100 m
Operating position	Vertical or horizontal position
Type of cooling	Fan

Environmental characteristic	Chemical pollution resistance class 3C3 IEC 60721-3-3 Dust pollution resistance class 3S2 IEC 60721-3-3
Pollution degree	2 IEC 61800-5-1

## Ordering and shipping details

Category	22184-ATV340 ACCESSORIES
Discount Schedule	CP4B
GTIN	3606481144218
Returnability	No
Country of origin	US

## Packing Units

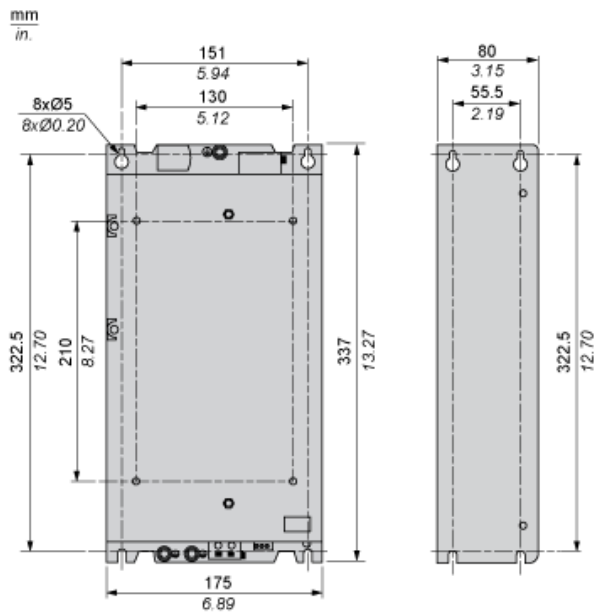
Unit Type of Package 1	PCE
Number of Units in Package 1	1
Package 1 Height	7.87 in (20.000 cm)
Package 1 Width	10.16 in (25.800 cm)
Package 1 Length	20.28 in (51.500 cm)
Package 1 Weight	16.56 lb(US) (7.510 kg)
Unit Type of Package 2	P06
Number of Units in Package 2	6
Package 2 Height	29.53 in (75.000 cm)
Package 2 Width	23.62 in (60.000 cm)
Package 2 Length	31.50 in (80.000 cm)
Package 2 Weight	128.00 lb(US) (58.060 kg)

## Offer Sustainability

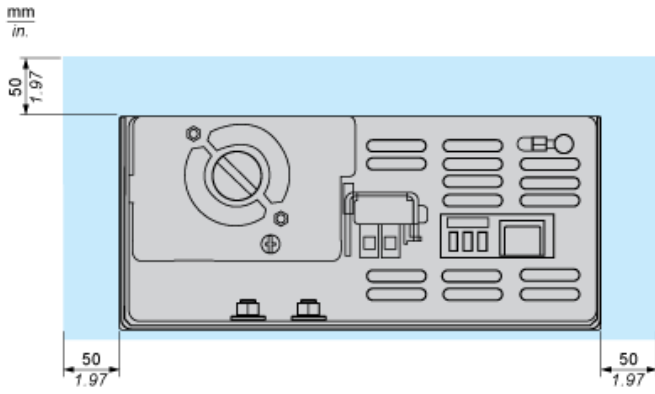
Sustainable offer status	Green Premium product
California proposition 65	WARNING: This product can expose you to chemicals including: Lead and lead compounds, which is known to the State of California to cause cancer and birth defects or other reproductive harm. For more information go to <a href="http://www.P65Warnings.ca.gov">www.P65Warnings.ca.gov</a>
REACH Regulation	<a href="#">REACH Declaration</a>
EU RoHS Directive	Pro-active compliance (Product out of EU RoHS legal scope)
Mercury free	Yes
China RoHS Regulation	<a href="#">China RoHS Declaration</a>
RoHS exemption information	<a href="#">Yes</a>
Environmental Disclosure	<a href="#">Product Environmental Profile</a>
Circularity Profile	<a href="#">End Of Life Information</a>
WEEE	The product must be disposed on European Union markets following specific waste collection and never end up in rubbish bins.

Dimensions

Front and Side Views



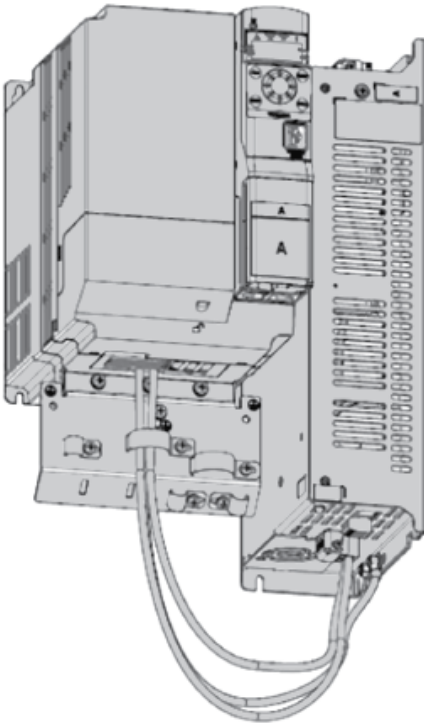


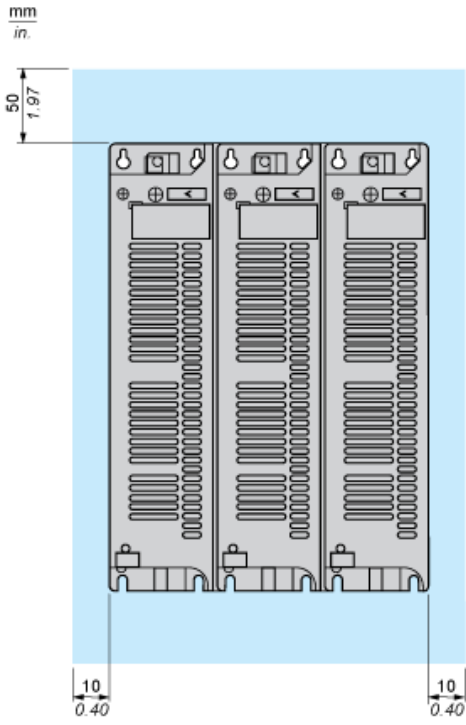


## Mounting Recommendations

---

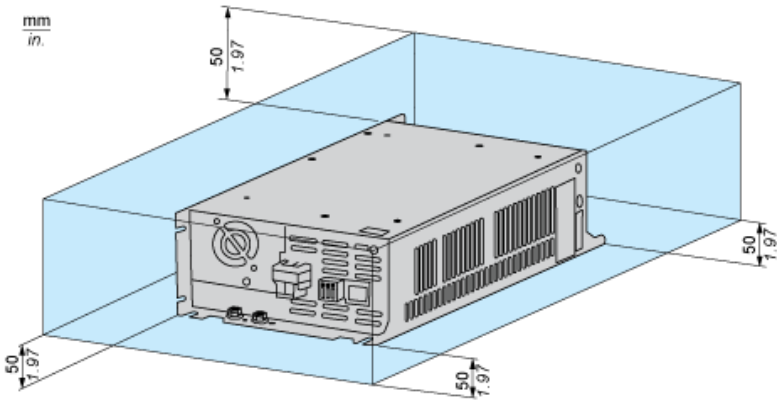
### Side by Side Mounting





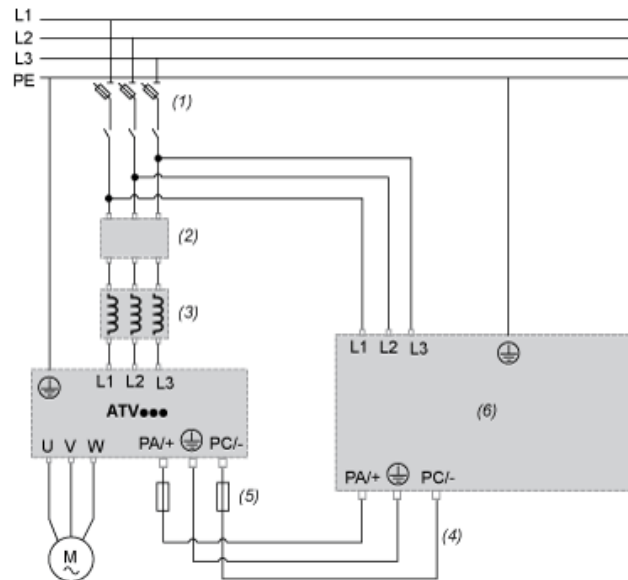
## Mounting Recommendations

### Horizontal Flat Mounting



## Wiring Diagram

### Drive and Regenerative Unit



- (1) : AC protection fuses
- (2) : Optional additional EMC input Filter (see drive catalog)
- (3) : Optional AC Choke (see drive catalog)
- (4) : DC bus link
- (5) : DC protection fuses
- (6) : Altivar Regenerative Unit