

DEV	"A"
-02	1.889
-03	2.654
-04	3.419
-05	4.184
-06	4.949
-07	5.714
-08	6.479
-09	7.244
-10	8.009
-11	8.774
-12	9.539
-13	10.304
-14	11.069

CAT. NO.: SEE CHART
 MASS:

TOLERANCES-UNLESS OTHERWISE SPECIFIED
 2 PL. DEC. ±.015 TRUE C.L. ±.015
 3 PL. DEC. ±.015 ANGLES ±1

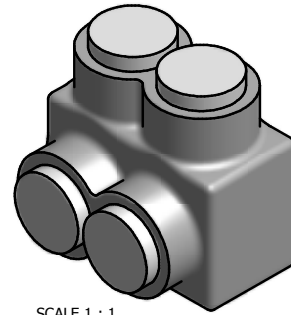
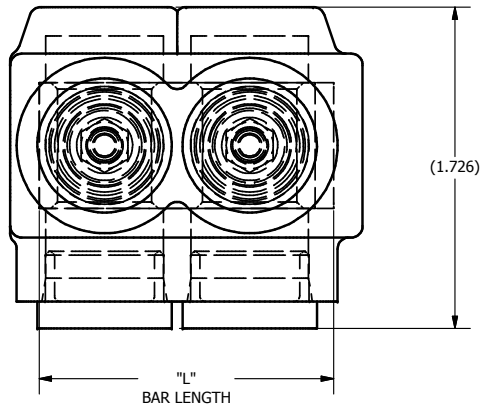
DWG. NO.
M2920
 SHEET 1 OF 2



DRAWN BY: JG
 DATE: 7/15/2008

SCALE:
 SIZE: B

REV.	DESCRIPTION
E	



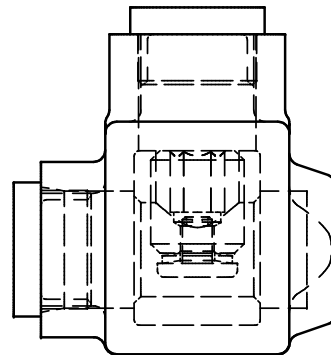
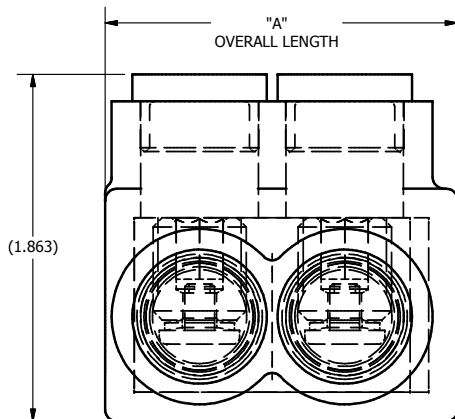
SCALE 1 : 1

SEE CHART FOR
 CATALOG #

ILSCO CORP

WIRE RANGE: 3/0-6 AWG
 2/0-6 H.I.K.DLO 1-6M
 TORQUE: 200 IN LBS.
 MAX INS OD: .610"
 600 VOLTS - AL9CU

VIEW A



DRAWING #	ILSCO CAT #	ILSCO FLEX CAT #	DEV	BAR #	"L"	# OF SCREW PORTS
M2905B02W	PBTS-2-3/0	PBTS-2-3/0-F	-02	N1306C02W	1.577	2
M2905B03W	PBTS-3-3/0	PBTS-3-3/0-F	-03	N1306C03W	2.342	3
M2905B04W	PBTS-4-3/0	PBTS-4-3/0-F	-04	N1306C04W	3.107	4
M2905B05W	PBTS-5-3/0	PBTS-5-3/0-F	-05	N1306C05W	3.872	5
M2905B06W	PBTS-6-3/0	PBTS-6-3/0-F	-06	N1306C06W	4.637	6
M2905B07W	PBTS-7-3/0	PBTS-7-3/0-F	-07	N1306C07W	5.402	7
M2905B08W	PBTS-8-3/0	PBTS-8-3/0-F	-08	N1306C08W	6.167	8
M2905B09W	PBTS-9-3/0	PBTS-9-3/0-F	-09	N1306C09W	6.932	9
M2905B10W	PBTS-10-3/0	PBTS-10-3/0-F	-10	N1306C10W	7.697	10
M2905B11W	PBTS-11-3/0	PBTS-11-3/0-F	-11	N1306C11W	8.462	11
M2905B12W	PBTS-12-3/0	PBTS-12-3/0-F	-12	N1306C12W	9.227	12
M2905B13W	PBTS-13-3/0	PBTS-13-3/0-F	-13	N1306C13W	9.992	13
M2905B14W	PBTS-14-3/0	PBTS-14-3/0-F	-14	N1306C14W	10.757	14