

Project: _____ Type: _____

Drawn by: _____ Catalogue #: _____ Date: _____

Individual Spec Sheet

A19

LED LAMPS

ORDERING INFORMATION

Order code: 69688
Model number: A19/S6/13W/27K/STD
UPC: 069549029095
Case quantity: 50

PHYSICAL DATA

Base: E26
Type: A19

PERFORMANCE DATA

Watts (W): 13
Traditional equivalent (W) 100
Volts (V AC): 120
Color temperature (K)¹: 2 700
Lumen output (lm)²: 1600
Efficacy (lm/W): 123
CRI: 80
Dimmable Yes
Life L70 (h)³: 25 000
Beam Angle 220
Power factor: ≥0.7
Frequency (Hz): 60
Input current (A): 125
Operating temp. range: - 30 °C / - 22 °F to 35 °C / 95 °F
Energy Star Yes
Warranty: 3 Years

¹ Typical color temperature range: +/- 5 %.

² Lumen values are derived from photometric testing. Initial lumens range: +/- 10 %.

³ Life hours are derived from IESNA LM80-08 testing report and projected per IESNA TM-21-11 extrapolations.

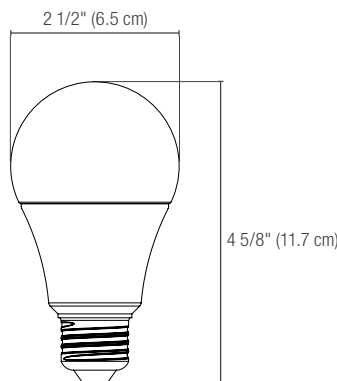
COMPATIBLE DIMMERS¹

Brand	Model
LUTRON	PD-5NE, PD-6WCL, CTCL-153P, DVCL-253P, DVRP-253-WH, SELV-300P, MACL-153P
COOPER	RRD-6NA-WH, AAL06
LEVITON	IPL06, 6674, DSL06-1ZL, DSM10-1LZ, IPE04-1LZ, DDMX1
LEGRAND	RH703PTUTC

Dimming performance might be impacted when using the above dimmers with only one lamp. Full performance achieved when using two or more lamps.

¹ This table shows dimmers that have been tested and have demonstrated proper operation under normal conditions. Each installation being unique, various factors such as load, common neutrals or other electrical products on the circuit can, in certain instances, cause variance in system performance. Read and comply to the dimmer installation instructions. Consult dimming system manufacturer for additional support in operation. Some dimmers may require more than one product for stable operation. Stangpro recommends to use dimmers designed to work with LED products. Older dimmers designed for incandescent products may cause erratic operation.

DIMENSIONS



ICES
005



enclosed
fixture



This lighting equipment meets requirements of ICES-005 issue 5 - class B for use in residential applications. Data is based upon tests performed in a controlled environment. Actual performance can vary depending on operating conditions. Specifications are subject to change without notice.