

ORDERING INFORMATION

Order code: 10444
 Description: ED21326-120-277-BLS GLB
 UPC: 69549104440



SPECIFICATIONS

Ballast type:	Electronic
Starting method:	Program Start
Lamp connection:	Series
Input voltage (V):	120-277 V
Input frequency (Hz):	50/60 HZ
Max. case temperature:	75 °C
Thermal protection:	Class P
Type:	1 Outdoor
Contains PCBs:	No
Sound rating:	A
Open current voltage (OCV) (V):	550
Inherent thermal protection:	Yes
Lamp protection circuit:	Yes
ICES-005 Compliant:	Class A RFLD



Lamp Type:	Number of lamps	Rated lamp watts	Min. start temp. (°F / °C)	Input current (A)	Input power (ANSI watts)	Ballast factor	Max THD (%)	Power factor	Max. lamp current crest factor	B.E.F.
120 VOLTS										
PL18/TTT (18W)	2	18	-4/-20	0.33	39	0.85	10	0.99	1.7	2.18
PL13/TTT (13W)	2	13	-4/-20	0.27	33	0.91	10	0.99	1.7	2.76
PL18/DTT (18W)	2	18	-4/-20	0.30	36	0.86	10	0.99	1.7	2.39
PL13/DTT (13W)	2	13	-4/-20	0.25	30	0.98	10	0.99	1.7	3.27
2D (16W)	2	16	-4/-20	0.28	35	0.72	10	0.99	1.7	2.06
PL26/TTT (26W)	1	26	-4/-20	0.19	23	0.74	10	0.99	1.7	3.22
PL18/TTT (18W)	1	18	-4/-20	0.17	20	0.92	10	0.99	1.7	4.60
PL13/TTT (13W)	1	13	-4/-20	0.14	17	0.94	10	0.99	1.7	5.53
PL26/DTT (26W)	1	26	-4/-20	0.19	23	0.74	15	0.98	1.7	3.22
PL18/DTT (18W)	1	18	-4/-20	0.15	18	0.92	15	0.98	1.7	5.11
2D (38W)	1	38	-4/-20	0.21	25	0.42	10	0.99	1.7	1.68
2D (28W)	1	28	-4/-20	0.21	25	0.57	10	0.99	1.7	2.28
2D (21W)	1	21	-4/-20	0.17	20	0.60	10	0.99	1.7	3.00
2D (16W)	1	16	-4/-20	0.15	18	0.74	10	0.99	1.7	4.11
FC9T5 (22W)	1	22	-4/-20	0.23	28	0.85	10	0.98	1.7	3.04

This lighting equipment complies with Canadian standard ICES-005; for use in commercial applications.

WARRANTY:

Ballast warranty of 5 years for electronic ballast 70-75 °C. Ballast warranty of 3 years for electronic ballast 90 °C. For more information visit our website.

Data is based upon tests performed in a controlled environment and representative of relative performance. Actual performance can vary depending on operating conditions. Specifications are subject to change without notice. March 30, 2015

ORDERING INFORMATION

Order code: 10444
 Description: ED21326-120-277-BLS GLB
 UPC: 69549104440

Lamp Type:	Number of lamps	Rated lamp watts	Min. start temp. (°F / °C)	Input current (A)	Input power (ANSI watts)	Ballast factor	Max THD (%)	Power factor	Max. lamp current crest factor	B.E.F.
230 VOLTS										
PL18/TTT (18W)	2	18	-4/-20	0.17	39	0.85	10	0.99	1.7	2.18
PL13/TTT (13W)	2	13	-4/-20	0.15	33	0.91	10	0.99	1.7	2.76
PL18/DTT (18W)	2	18	-4/-20	0.16	36	0.86	10	0.98	1.7	2.39
PL13/DTT (13W)	2	13	-4/-20	0.14	30	0.98	15	0.98	1.7	3.27
2D (16W)	2	16	-4/-20	0.16	35	0.72	10	0.99	1.7	2.06
PL26/TTT (26W)	1	26	-4/-20	0.10	23	0.74	10	0.98	1.7	3.22
PL18/TTT (18W)	1	18	-4/-20	0.09	20	0.92	15	0.98	1.7	4.60
PL13/TTT (13W)	1	13	-4/-20	0.08	17	0.94	15	0.98	1.7	5.53
PL26/DTT (26W)	1	26	-4/-20	0.10	23	0.74	15	0.97	1.7	3.22
PL18/DTT (18W)	1	18	-4/-20	0.08	18	0.92	20	0.97	1.7	5.11
2D (38W)	1	38	-4/-20	0.11	25	0.42	10	0.99	1.7	1.68
2D (28W)	1	28	-4/-20	0.11	25	0.57	10	0.99	1.7	2.28
2D (21W)	1	21	-4/-20	0.09	20	0.60	15	0.98	1.7	3.00
2D (16W)	1	16	-4/-20	0.08	18	0.74	15	0.98	1.7	4.11
FC9T5 (22W)	1	22	-4/-20	0.12	28	0.85	15	0.97	1.7	3.04
277 VOLTS										
PL18/TTT (18W)	2	18	-4/-20	0.14	39	0.86	15	0.98	1.7	2.21
PL13/TTT (13W)	2	13	-4/-20	0.12	33	0.98	10	0.98	1.7	2.97
PL18/DTT (18W)	2	18	-4/-20	0.13	36	0.86	15	0.98	1.7	2.39
PL13/DTT (13W)	2	13	-4/-20	0.11	30	0.98	15	0.97	1.7	3.27
2D (16W)	2	16	-4/-20	0.13	34	0.70	10	0.98	1.7	2.06
PL26/TTT (26W)	1	26	-4/-20	0.09	23	0.74	15	0.97	1.7	3.22
PL18/TTT (18W)	1	18	-4/-20	0.08	21	0.92	15	0.97	1.7	4.38
PL13/TTT (13W)	1	13	-4/-20	0.07	18	0.97	20	0.95	1.7	5.39
PL26/DTT (26W)	1	26	-4/-20	0.09	23	0.74	20	0.96	1.7	3.22
PL18/DTT (18W)	1	18	-4/-20	0.07	18	0.92	25	0.95	1.7	5.11
2D (38W)	1	38	-4/-20	0.10	26	0.43	10	0.98	1.7	1.65
2D (28W)	1	28	-4/-20	0.10	25	0.57	15	0.97	1.7	2.28
2D (21W)	1	21	-4/-20	0.08	20	0.60	15	0.96	1.7	3.00
2D (16W)	1	16	-4/-20	0.07	18	0.74	15	0.96	1.7	4.11
FC9T5 (22W)	1	22	-4/-20	0.10	28	0.85	20	0.97	1.7	3.04

This lighting equipment complies with Canadian standard ICES-005; for use in commercial applications.

WARRANTY:

Ballast warranty of 5 years for electronic ballast 70-75 °C. Ballast warranty of 3 years for electronic ballast 90 °C. For more information visit our website.

Data is based upon tests performed in a controlled environment and representative of relative performance. Actual performance can vary depending on operating conditions. Specifications are subject to change without notice.

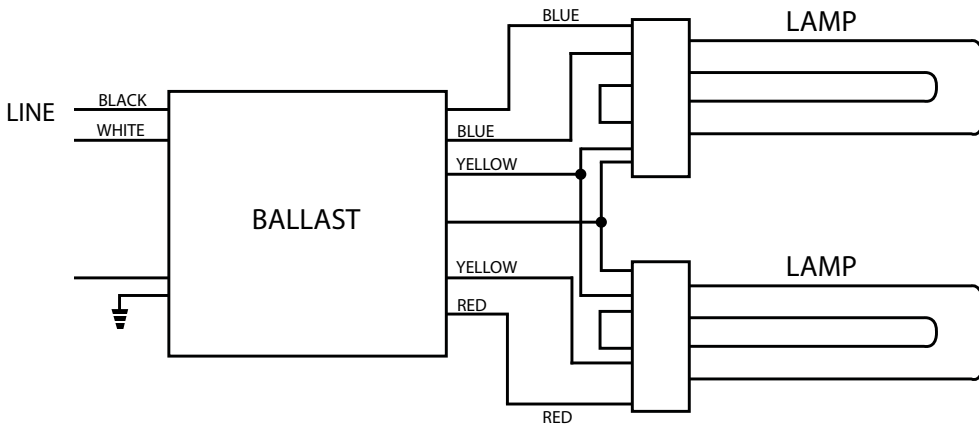
March 30, 2015



ORDERING INFORMATION

Order code: 10444
 Description: ED21326-120-277-BLS GLB
 UPC: 69549104440

WIRING DIAGRAM

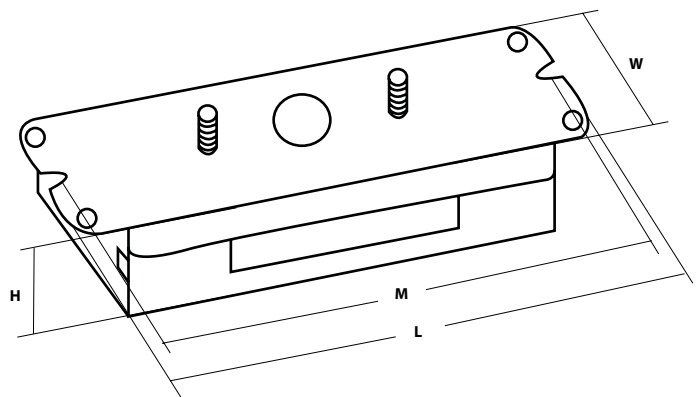


LEADS LENGTH

Black	3.14" (8 cm)
White	3.14" (8 cm)
Blue	5.11" (13 cm)
Red	5.11" (13 cm)
Yellow	5.11" (13 cm)

BALLAST DIMENSIONS

Length (L):	6.50" (16.4 cm)
Width (W):	1.93" (4.9 cm)
Height (H):	1.18" (3.0 cm)
Mounting (M):	5.90" (15.0 cm)



WARRANTY:

Ballast warranty of 5 years for electronic ballast 70-75 °C. Ballast warranty of 3 years for electronic ballast 90 °C.
 For more information visit our website.

Data is based upon tests performed in a controlled environment and representative of relative performance.
 Actual performance can vary depending on operating conditions. Specifications are subject to change without notice.
 March 30, 2015