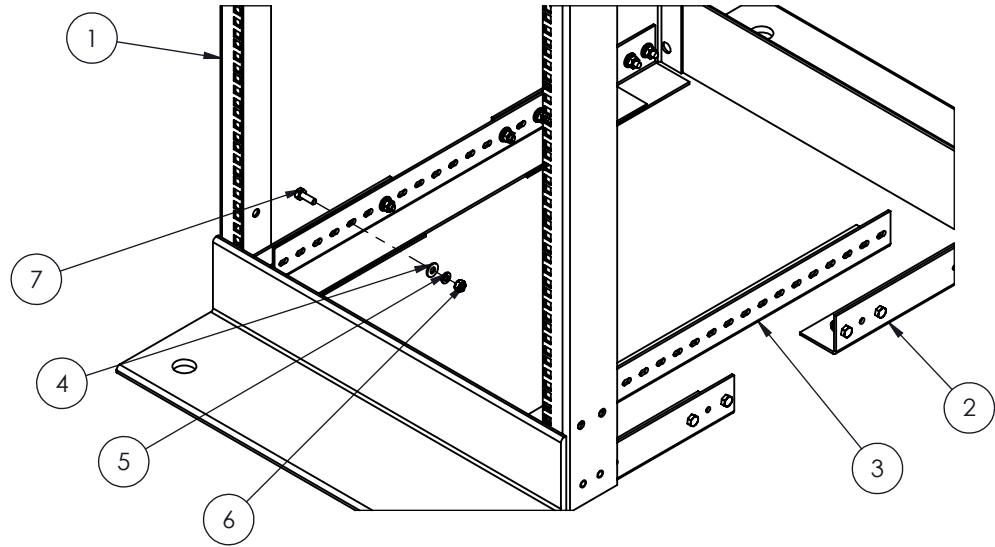
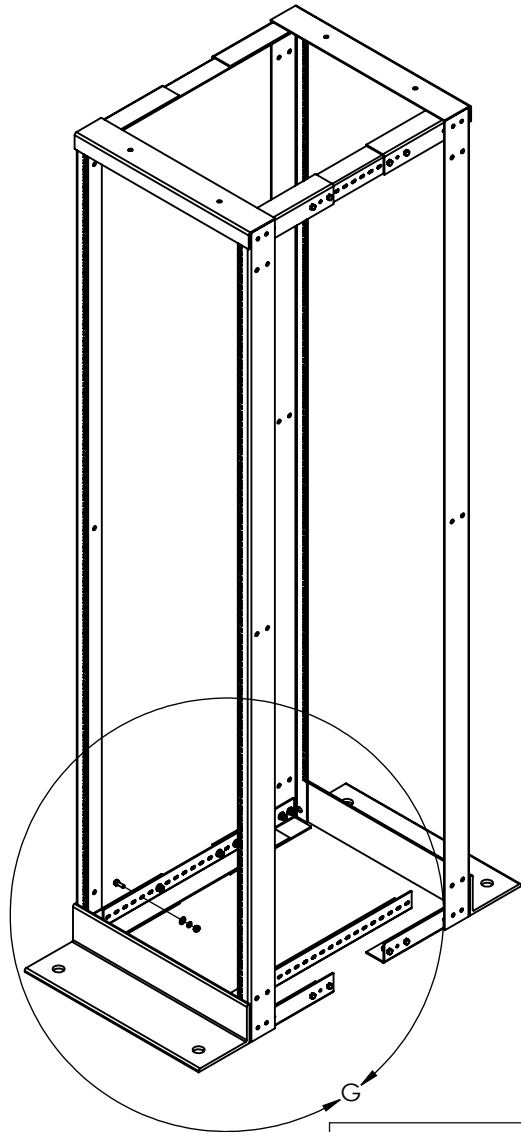
 PROPRIETARY AND CONFIDENTIAL THE INFORMATION CONTAINED IN THIS DRAWING IS THE SOLE PROPERTY OF A.I.G. ELECTRON METAL INC. ANY REPRODUCTION IN PART OR AS A WHOLE WITHOUT THE WRITTEN PERMISSION OF A.I.G. ELECTRON METAL INC IS PROHIBITED.	CONFIDENTIEL L'INFORMATION CONTENUE DANS CE DESSIN EST L'ENTIÈRE PROPRIÉTÉ D'ELECTRON METAL A.I.G. INC. TOUTE REPRODUCTION PARTIELLE OU EXHAUSTIVE SANS PERMISSION ÉCRITE D'ELECTRON METAL A.I.G. INC. EST INTERDITE.	DRAWN BY: E.D.		Title: DOUBLE RACK CAGE-NUTS (19 x 77) x 26 - 38			
		CHECKED BY: E.D.					
PROJECT: Racks\DoubleRck		FILE: DbIRck19x77_26_38_CageNuts_1305029386_ENG		PART NO.:		DRAWING NO.:	
RCKDIC-194428		1305029386		REV.:	SCALE:	DATE:	SHEET:
		-		3:64		2011-04-26	
						1 / 2	

NO.	NOTE	DESCRIPTION	QTY
1	1305027199	FRAME (19 x 77) CAGE-NUTS	2
2	1305021664	END ANGLE	8
3	1305021665 - 26" - 38"	CENTER ANGLE	4
4	1/4"	PLAIN WASHER	32
5	1/4"	SPLIT LOCK WASHER	32
6	1/4-20	HEX NUT	32
7	1/4-20 x 3/4	HEX BOLT	16



DETAIL G
1:8



PROPRIETARY AND CONFIDENTIAL
 THE INFORMATION CONTAINED IN THIS DRAWING IS THE SOLE PROPERTY OF A.I.G. ELECTRON METAL INC. ANY REPRODUCTION IN PART OR AS A WHOLE WITHOUT THE WRITTEN PERMISSION OF A.I.G. ELECTRON METAL INC IS PROHIBITED.

CONFIDENTIEL
 L'INFORMATION CONTENUE DANS CE DESSIN EST L'ENTIÈRE PROPRIÉTÉ D'ELECTRON METAL A.I.G. INC. TOUTE REPRODUCTION PARTIELLE OU EXHAUSTIVE SANS PERMISSION ÉCRITE D'ELECTRON METAL A.I.G. INC. EST INTERDITE.

DRAWN BY: E.D.	Title: DOUBLE RACK CAGE-NUTS (19 x 77) x 26 - 38			
CHECKED BY: E.D.				
PROJECT: Racks\DoubleRck	FILE: DbIRck19x77_26_38_CageNuts_1305029386_ENG			
PART NO.: RKDKIC-194428	DRAWING NO.: 1305029386	REV.: -	SCALE: 1:16	DATE: 2011-04-26
			SHEET: 2 / 2	