

Selection Tables

HPS Sentinel G

Energy Efficient General Purpose Distribution

ALUMINUM WOUND, THREE PHASE



600 Delta Primary Volts

480Y/277 Secondary Volts

60 Hz

| kVA | Catalog Number | Case Style | Approx. Dimensions (Inches) | | | Approx. Weight (Lbs.) | Mtg Type W - Wall F - Floor | Wiring Diagram |
|-------|----------------|------------|-----------------------------|-------|--------|-----------------------|-----------------------------------|----------------|
| | | | Width | Depth | Height | | | |
| 15 | SG3A0015PK | DH1 | 21.5 | 20.1 | 22.0 | 210 | F or W/C* | SCD 19 |
| 30 | SG3A0030PK | DH2 | 25.8 | 23.8 | 28.8 | 310 | F or W/C* | SCD 19 |
| 45 | SG3A0045PK | DH2 | 25.8 | 23.8 | 28.8 | 380 | F or W/C* | SCD 19 |
| 75 | SG3A0075PK | DH3 | 28.3 | 27.0 | 36.0 | 510 | F (Opt W/C) | SCD 19 |
| 112.5 | SG3A0112PK | DH3 | 28.3 | 27.0 | 36.0 | 680 | F (Opt W/C) | SCD 19 |
| 150 | SG3A0150PK | DH4 | 31.5 | 29.5 | 44.5 | 870 | F | SCD 19 |
| 225 | SG3A0225PK | DH5 | 38.0 | 34.0 | 52.0 | 1350 | F | SCD 19 |
| 300 | SG3A0300PK | DH5 | 38.0 | 34.0 | 52.0 | 1800 | F | SCD 19 |
| 500 | SG3A0500PK | DH6 | 49.0 | 42.0 | 64.0 | 2750 | F | SCD 20 |
| 750 | SG3A0750PK | DH7 | 54.0 | 47.0 | 72.0 | 4100 | F | SCD 20 |
| 1000 | SG3A1000PK | DH8 | 60.0 | 50.0 | 82.0 | 5400 | F | SCD 10 |

W/C: Built-in Wall Ceiling Mounting Opt W/C: Wall Ceiling Mounting Kit "DW3" Available OSHPD Certified for Floor Mounting Only

COPPER WOUND, THREE PHASE

208 Delta Primary Volts

208Y/120 Secondary Volts

60 Hz

| kVA | Catalog Number | Case Style | Approx. Dimensions (Inches) | | | Approx. Weight (Lbs.) | Mtg Type W - Wall F - Floor | Wiring Diagram |
|-------|----------------|------------|-----------------------------|-------|--------|-----------------------|-----------------------------------|----------------|
| | | | Width | Depth | Height | | | |
| 15 | SG3A0015BB0C | DH1 | 21.5 | 20.1 | 22.0 | 210 | F or W/C* | SCD 19 |
| 30 | SG3A0030BB0C | DH2 | 25.8 | 23.8 | 28.8 | 340 | F or W/C* | SCD 19 |
| 45 | SG3A0045BB0C | DH2 | 25.8 | 23.8 | 28.8 | 400 | F or W/C* | SCD 19 |
| 75 | SG3A0075BB0C | DH3 | 28.3 | 27.0 | 36.0 | 590 | F (Opt W/C) | SCD 19 |
| 112.5 | SG3A0112BB0C | DH3 | 28.3 | 27.0 | 36.0 | 740 | F (Opt W/C) | SCD 19 |
| 150 | SG3A0150BB0C | DH4 | 31.5 | 29.5 | 44.5 | 930 | F | SCD 19 |
| 225 | SG3A0225BB0C | DH4 | 31.5 | 29.5 | 44.5 | 1350 | F | SCD 7A |
| 300 | SG3A0300BB0C | DH5 | 38.0 | 34.0 | 52.0 | 1800 | F | SCD 7A |
| 500 | SG3A0500BB0C | DH6 | 49.0 | 42.0 | 64.0 | 3200 | F | SCD 8 |
| 750 | SG3A0750BB0C | DH6 | 49.0 | 42.0 | 64.0 | 4050 | F | SCD 60 |
| 1000 | SG3A1000BB0C | DH7 | 54.0 | 47.0 | 72.0 | 5200 | F | SCD 60 |

W/C: Built-in Wall Ceiling Mounting Opt W/C: Wall Ceiling Mounting Kit "DW3" Available OSHPD Certified for Floor Mounting Only

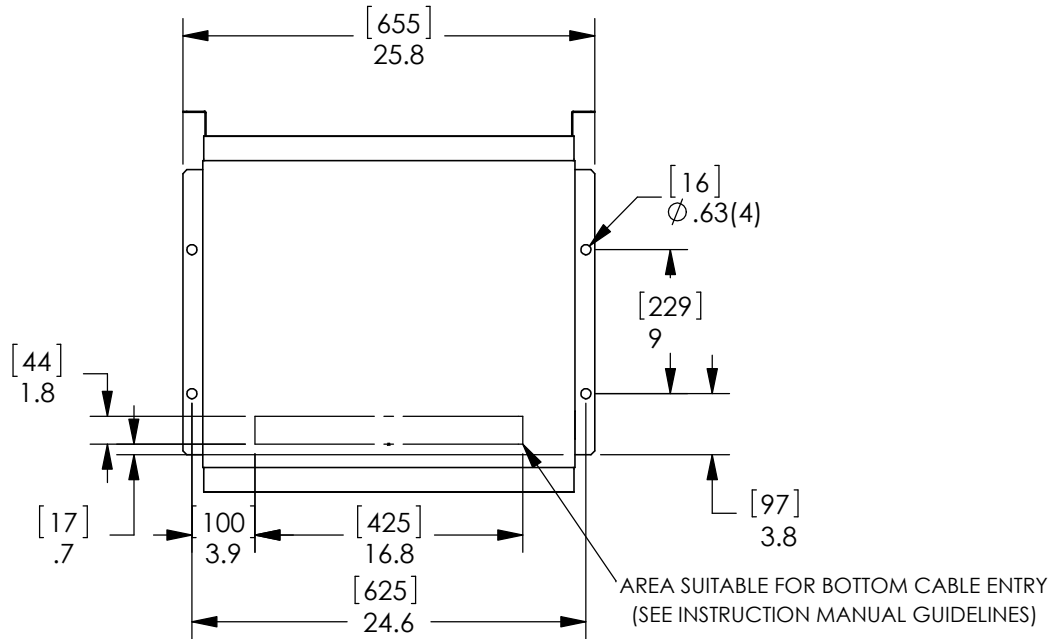
208 Delta Primary Volts

480Y/277 Secondary Volts

60 Hz

| kVA | Catalog Number | Case Style | Approx. Dimensions (Inches) | | | Approx. Weight (Lbs.) | Mtg Type W - Wall F - Floor | Wiring Diagram |
|-------|----------------|------------|-----------------------------|-------|--------|-----------------------|-----------------------------------|----------------|
| | | | Width | Depth | Height | | | |
| 15 | SG3A0015BK0C | DH1 | 21.5 | 20.1 | 22.0 | 210 | F or W/C* | SCD 53 |
| 30 | SG3A0030BK0C | DH2 | 25.8 | 23.8 | 28.8 | 340 | F or W/C* | SCD 53 |
| 45 | SG3A0045BK0C | DH2 | 25.8 | 23.8 | 28.8 | 400 | F or W/C* | SCD 53 |
| 75 | SG3A0075BK0C | DH3 | 28.3 | 27.0 | 36.0 | 590 | F (Opt W/C) | SCD 53 |
| 112.5 | SG3A0112BK0C | DH3 | 28.3 | 27.0 | 36.0 | 740 | F (Opt W/C) | SCD 53 |
| 150 | SG3A0150BK0C | DH4 | 31.5 | 29.5 | 44.5 | 930 | F | SCD 53 |
| 225 | SG3A0225BK0C | DH4 | 31.5 | 29.5 | 44.5 | 1350 | F | SCD 56 |
| 300 | SG3A0300BK0C | DH5 | 38.0 | 34.0 | 52.0 | 1800 | F | SCD 56 |
| 500 | SG3A0500BK0C | DH6 | 49.0 | 42.0 | 64.0 | 3200 | F | SCD 23A |
| 750 | SG3A0750BK0C | DH6 | 49.0 | 42.0 | 64.0 | 4050 | F | SCD 61 |
| 1000 | SG3A1000BK0C | DH7 | 54.0 | 47.0 | 72.0 | 5200 | F | SCD 61 |

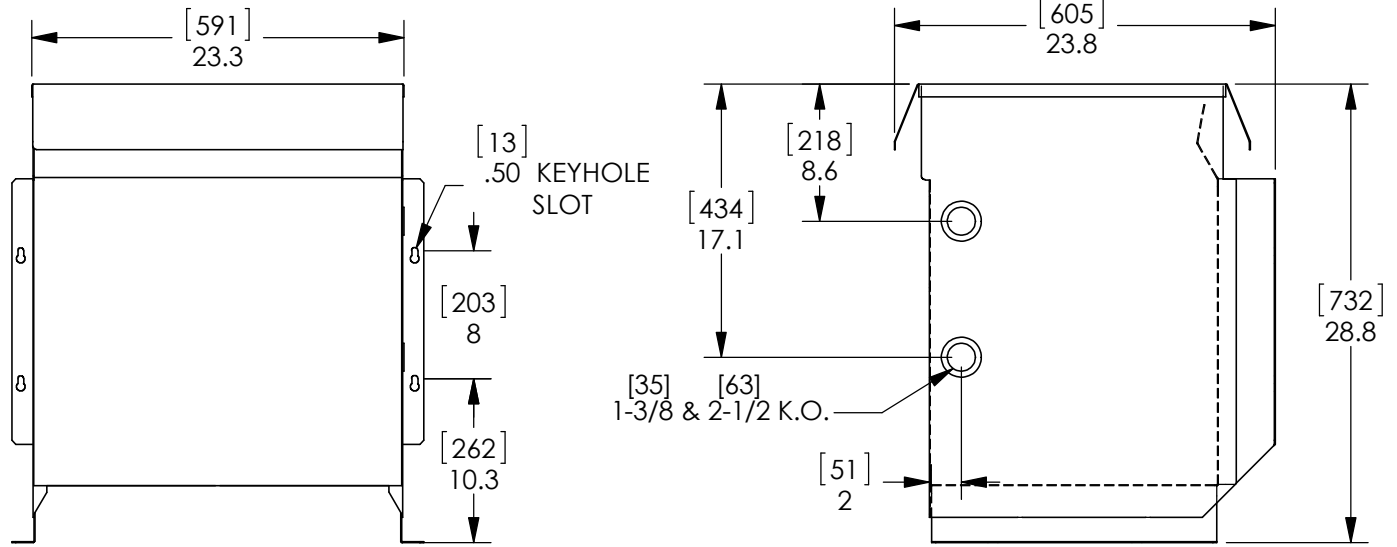
W/C: Built-in Wall Ceiling Mounting Opt W/C: Wall Ceiling Mounting Kit "DW3" Available OSHPD Certified for Floor Mounting Only



DES'D BY: **KJV**
 DATE: **2015-11-11**

CHK'D BY: --
 DATE: --

APP'D BY: **KJV**
 DATE: **2015-11-11**



DIMENSIONS ARE IN in[mm]