



## Main

Range of Product	Harmony 9001K Harmony 9001SK
Product or Component Type	Contact block
Device short name	9001K

## Complementary

Terminals description ISO n°1	(1-2-3-4)OC_OFF
Net Weight	0.06 lb(US) (0.027 kg)
Contacts type and composition	1 NO
Contact operation	Early make
Positive opening	Without
Connections - terminals	Screw clamp terminals, 1 x 0.22...2 x 2.5 mm <sup>2</sup> IEC 60947-1
Tightening torque	7.08 lbf.in (0.8 N.m) IEC 60947-1
Shape of screw head	Cross slotted
Contacts material	Silver alloy contacts
Short-circuit protection	10 A cartridge fuse IEC 60947-5-1
[I <sub>th</sub> ] conventional free air thermal current	10 A
[U <sub>i</sub> ] rated insulation voltage	250 V 3)IEC 60947-1
[U <sub>imp</sub> ] rated impulse withstand voltage	2.5 kV IEC 60947-1
[I <sub>e</sub> ] rated operational current	3 A 240 V, AC-15, A600-Q600 NEMA 0.55 A 125 V, DC-13, A600-Q600 NEMA
[I <sub>cm</sub> ] rated short-circuit making capacity	12 KA 600 V AC-15, 7200 VA 15 KA 480 V AC-15, 7200 VA 30 KA 240 V AC-15, 7200 VA 60 KA 120 V AC-15, 7200 VA 0.55 KA 125 V DC-13 0.1 KA 600 V DC-13 0.27 kA 250 V DC-13
Rated breaking capacity	3 KA 240 V AC-15, 720 VA 6 KA 120 V AC-15, 720 VA 1.2 KA 600 V AC-15, 720 VA 1.5 KA 480 V AC-15, 720 VA 0.1 KA 600 V DC-13 0.27 KA 250 V DC-13 0.55 kA 125 V DC-13
[U <sub>s</sub> ] rated supply voltage	0...600 V
Connections - Terminals	Screw-clamp terminals

## Environment

Protective treatment	TC
Ambient Air Temperature for Storage	-40...158 °F (-40...70 °C)
Ambient Air Temperature for Operation	-13...158 °F (-25...70 °C)
Electrical shock protection class	Class II IEC 61140
IP degree of protection	IP20 IEC 60529
Standards	JIS C 4520 JIS C 852 IEC 60947-5-4 IEC 60947-5-1 IEC 60947-1 UL 508 CSA C22.2 No 14 UL 60947-5-1
Product Certifications	UL 508[RETURN]NEMA
Vibration resistance	7 gn 2...500 Hz)IEC 60068-2-6
Shock resistance	50 gn IEC 60068-2-27

## Ordering and shipping details

Category	21434-9001 KA CONTACT BLOCKS
Discount Schedule	CS1
GTIN	785901880035
Returnability	Yes
Country of origin	MX

## Packing Units

Unit Type of Package 1	PCE
Number of Units in Package 1	1
Package 1 Height	1.00 in (2.54 cm)
Package 1 Width	1.00 in (2.54 cm)
Package 1 Length	1.60 in (4.064 cm)
Package 1 Weight	0.96 oz (27.216 g)

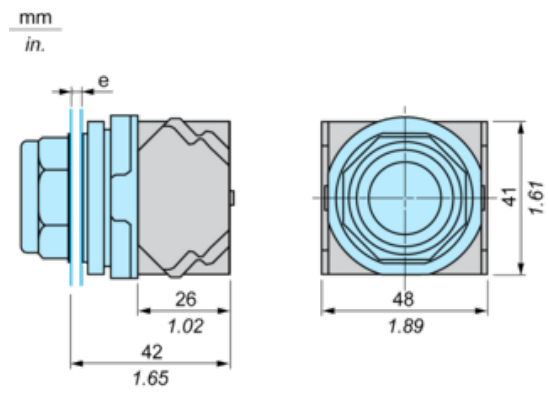
## Offer Sustainability

Sustainable offer status	Green Premium product
California proposition 65	WARNING: This product can expose you to chemicals including: Nickel compounds, which is known to the State of California to cause cancer, and Di-isodecyl phthalate (DIDP), which is known to the State of California to cause birth defects or other reproductive harm. For more information go to <a href="http://www.P65Warnings.ca.gov">www.P65Warnings.ca.gov</a>
REACH Regulation	<a href="#">REACH Declaration</a>
EU RoHS Directive	Pro-active compliance (Product out of EU RoHS legal scope)
Mercury free	Yes
China RoHS Regulation	<a href="#">China RoHS Declaration</a>
RoHS exemption information	<a href="#">Yes</a>
Environmental Disclosure	<a href="#">Product Environmental Profile</a>
Circularity Profile	No need of specific recycling operations
WEEE	The product must be disposed on European Union markets following specific waste collection and never end up in rubbish bins.

## Contractual warranty

Warranty	18 months
----------	-----------

Dimensions



e panel thickness: 1 to 6 mm / 0.04 to 0.24 in.