

PLEASE CHECK WWW.MOLEX.COM FOR LATEST PART INFORMATION

Part Number: [0847000001](#)
Status: **Active**
Overview: [Brad Industrial Ethernet Solutions](#)
Description: Receptacle, Inline, Industrial, 8/8

Documents:

[3D Model](#) [RoHS Certificate of Compliance \(PDF\)](#)
[Drawing \(PDF\)](#)

General

Product Family	Industrial Receptacles
Series	84700
IP Rating	IP67
Overview	Brad Industrial Ethernet Solutions
Product Name	RJ45
Type	PCB Mount
UPC	756054460405

Physical

Coupling Type	External Thread
Gender	Male
Keyway	None
Length	N/A
Material - Component	PBT
Mounting Thread Size	1" - 14 UNC
Orientation	Straight
Panel Mount	Front
Poles	N/A
Temperature Range - Operating	-20°C to +80°C
Wire Size AWG	N/A
Wire/Cable Type	N/A

Electrical

Current - Maximum per Contact	1.5A
Voltage - Maximum	125V

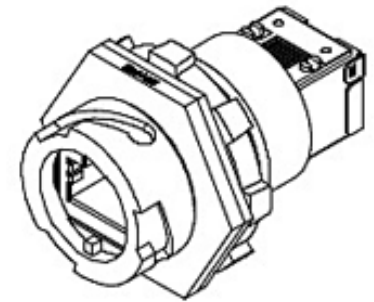
Solder Process Data

Lead-free Process Capability	N/A
------------------------------	-----

Material Info

Reference - Drawing Numbers

Sales Drawing	SD-84700-007
---------------	--------------



Series image - Reference only

EU ELV

Not Relevant

EU RoHS

Compliant

REACH SVHC

Not Contained Per -
ED/30/2017 (7 July
2017)

Halogen-Free

Status

Not Low-Halogen

**Need more information on product
environmental compliance?**

Email productcompliance@molex.com
Please visit the [Contact Us](#) section for any
non-product compliance questions.

China ROHS

ELV

RoHS Phthalates

Green Image

Not Relevant

Not Contained

Search Parts in this Series

[84700 Series](#)

Mates With

[84700-0002 Plug](#), [84702 Cable Assemblies](#)

Use With

[84700-0003 Dust Cover](#)