



# MARCUS

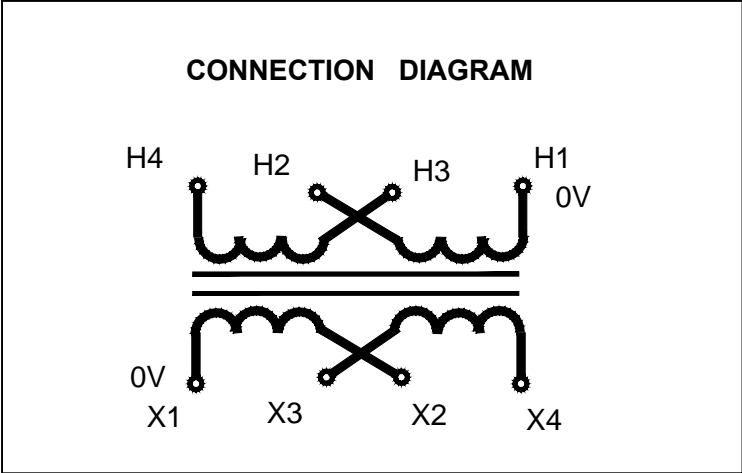
Marcus Transformer LTD  
 Phone: 1-800-267-7376  
 Fax: 1-866-205-7526  
 Email: Info@marcustransformer.com

## TECHNICAL DATA

SINGLE PHASE CONTROL TRANSFORMER

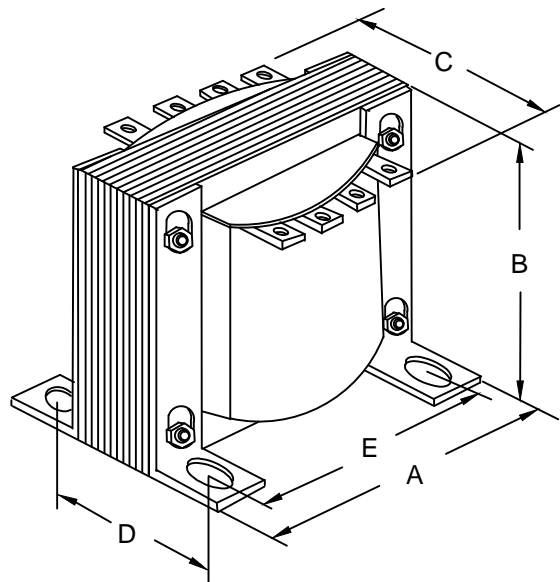
### DESCRIPTION

MODEL	MO100B
Type	Open
VA	100
Primary (Volts)	120 / 240
Secondary (Volts)	120 / 240
Input /Output Amps	0.83 , 0.42 / 0.83 , 0.42
Temperature Rise	80°C
Insulation Class	B (130°C)
Frequency	50 / 60Hz
Polarity	additive
Noise level	less than 40DB
Winding	Copper
Approvals	CE compliant UL listed CSA approved



### WIRING CONNECTION

PRIMARY :		
VOLTS	INTERCONNECT:	CONNECT LINES TO :
120	H1-H3 AND H2-H4	H1-H4
240	H2-H3	H1-H4
SECONDARY :		
VOLTS	INTERCONNECT:	CONNECT LINES TO :
120	X1-X3 AND X2-X4	X1-X4
240	X2-X3	X1-X4



### DIMENSIONS INCHES / MM

VA	A	B	C	D	E	MOUNTING HOLES INCHES / MM	SHIP WEIGHT LBS / KG
100	3.00 76.2	2.50 63.5	3.27 83.1	2.50 63.5	2.50 63.5	0.21 x 0.625 5.3 x 15.9	2.75 1.3

Notes: