

Project: _____

Type: _____

Drawn by: _____ Catalogue #: _____

Date: _____

Individual Spec Sheet

LED SWIVEL LED UNDERCABINET LUMINAIRE 3 CCT AND 2 POWER SELECTABLE

ORDERING INFORMATION

Order code: 68481
Model number: UCS/9IN/120V/3W/SEL/FR/WH
UPC: 069549016538
Case quantity: 10

PHYSICAL DATA

Dimensions: 9" (228)
Lens Type: Frosted PC
Housing Material: Aluminum
Housing Finish: White
Mounting: Surface

PERFORMANCE DATA

Watts (W): 1.5/3
Volts (VAC): 120
Colour temp. (K)¹: 2 700/3 000/4 000
Lumen output (lm)²: 108/204
Efficiency (lm/W): 58
CRI: 90
Life L70 (h)³: 50 000
Dimming: Yes
Power factor: >0.9
THD (%): <15
Frequency (Hz): 60
Operating temp. range: -20°C to 40°C (-4 °F to 104 °F)

¹ Typical colour temperature range: +/- 5 %

² Lumen values are based on 3 000 K default programming. Please refer to the LUMEN SPECIFICATION TABLE for more details on other color temperatures.

³ Life hours are derived from IESNA LM80-08 testing report and projected per IESNA TM-21-11 extrapolations

LUMEN SPECIFICATION TABLE

Model number	Watts (W)	2 700 K		3 000 K		4 000 K	
		Lumen (lm)	Efficiency (lm/W)	Lumen (lm)	Efficiency (lm/W)	Lumen (lm)	Efficiency (lm/W)
UCS/9IN/120V/3W/SEL/FR/WH	1.5	103	69	108	72	114	76
	3	191	64	204	68	214	71

Default programming: 3 000 K

COMPATIBLE ACCESSORIES (order separately)

Order code	Description	Type	Length in (mm)	Case qty(master)
67202	UCS/PLUG/120V/STD	120 V Power Cord Plug	73 5/8 (1 870)	100
67203	UCS/JUMPER/6IN/STD	6" Jumper	6 (152.5)	500
67204	UCS/JUMPER/24IN/STD	24" Jumper	24 (610)	250
67205	UCS/JUMPER/36IN/STD	36" Jumper	36 (914)	100
67787	UC/HARDWIREBOX/120V/STD	Hardwire Box	6.5 (165)	50

COMPATIBLE DIMMERS

Brand	Model
LEGRAND	PD-5NE
LUTRON	DVCL-153P
LEVITON	IPE04-1LZ

NOTE: The table shows dimmers that have been tested and have demonstrated proper operation under normal conditions. Each installation being unique, various factors such as load, common neutrals or other electrical products on the circuit can, in certain instances, cause variance in system performance. Read and comply to the dimmer installation instructions. Consult dimming system manufacturer for additional support in operation. Stanpro recommends to use dimmers designed to work with LED products. Older dimmers designed for incandescent products may cause erratic operation. Some dimmers may require more than one product for stable operation. The maximum number of products is determined by the dimmer wattage rating with LEDs. Be careful, these dimmers have different ratings depending on the product type. Again, refer to the dimmer installation instructions.

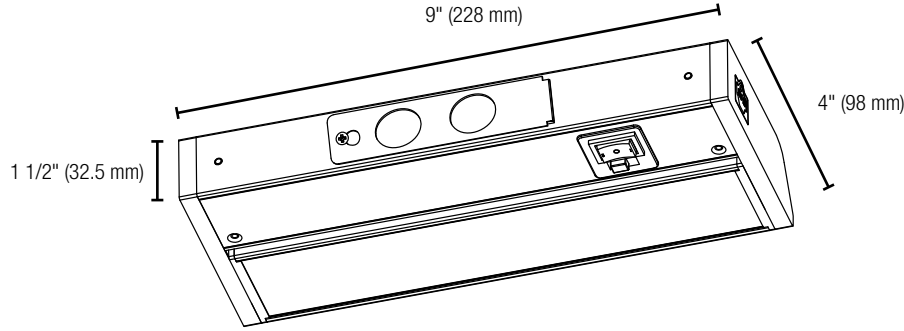
Dimming range: 5%-100%

This lighting equipment complies with Canadian standard ICES-005 for use in residential applications. Data is based upon tests performed in a controlled environment.

Actual performance can vary depending on operating conditions. Specifications are subject to change without notice.



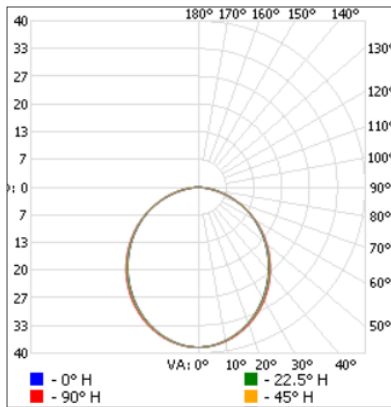
DIMENSIONS



PHOTOMETRIC DATA¹

68481 • UCS/9IN/120V/3W/SEL/FR/WH • 2 700 K • 1.5 W • 103.5 lm

Polar candela distribution



Zonal lumen summary

Zone	Lumens	% Fixture
0-30	29.2	28.2
0-40	47.3	45.7
0-60	82.2	79.4
60-90	21.3	20.6
0-90	103.5	100

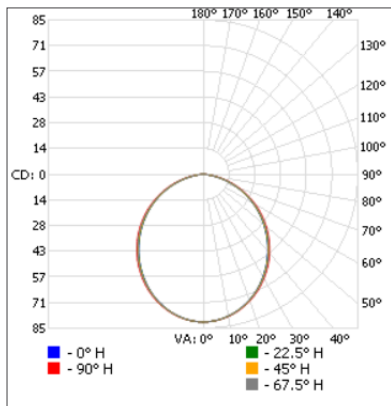
Illuminance at a distance

Center beam fc		Beam width	
1.7'	13.4	4.5'	4.6'
3.3'	3.55	8.8'	9.0'
5.0'	1.54	13.3'	13.7'
6.7'	0.86	17.8'	18.3'
8.3'	0.56	22.1'	22.7'
10.0'	0.39	26.6'	27.3'

■ Vert. spread: 106.1°
■ Horiz. spread: 107.6°

68481 • UCS/9IN/120V/3W/SEL/FR/WH • 4 000 K • 3 W • 213.9 lm

Polar candela distribution



Zonal lumen summary

Zone	Lumens	% Fixture
0-30	61.8	28.9
0-40	100.0	46.8
0-60	172.8	80.8
60-90	41.1	19.2
0-90	213.9	100

Illuminance at a distance

Center beam fc		Beam width	
1.7'	28.2	4.4'	4.6'
3.3'	7.49	8.6'	9.0'
5.0'	3.26	13.0'	13.6'
6.7'	1.82	17.4'	18.3'
8.3'	1.18	21.6'	22.6'
10.0'	0.82	26.0'	27.3'

■ Vert. spread: 104.9°
■ Horiz. spread: 107.5°

¹ Complete IES files available on our website.

Qty	Description	Price

I accept the specifications of the luminaire configuration mentioned above.

Name: _____
 Company: _____
 Signature: _____

Date: _____

Data is based upon tests performed in a controlled environment. Actual performance can vary depending on operating conditions. All products are subject to change or may be discontinued any time without notice.