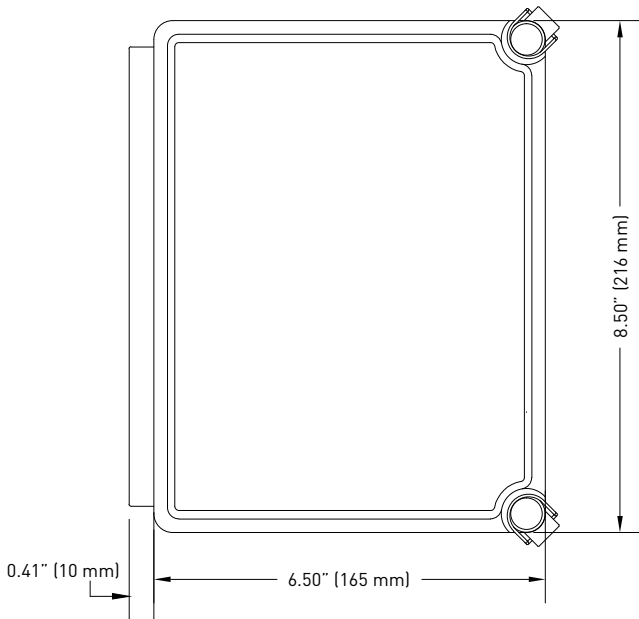


Raychem MIJB-864-A

MI POWER AND SPLICE BOX

Junction Box with Pre-Drilled Earth Plate for Use with MI Heating Units



FRONT VIEW

PRODUCT OVERVIEW

The efficient design and simple construction of these enclosures make them durable in corrosive environments, yet aesthetically pleasing.

Corner latches provide unobstructed access. The continuous hinge pin provides a secure seal and double latching creates added security.

Typically, it is used as a single cable power junction box or splice box:

- One power cable in and two MI cables out
- One power cable in, one power cable out and one MI cable out
- Two D or E design MI cables in and two D or E design MI cables out (splice box)
- Three B design MI cables in and three B design MI cables out (splice box)
- Star termination for 3-phase B design MI cables
- 3-phase energization of three B design MI cables

CONSTRUCTION

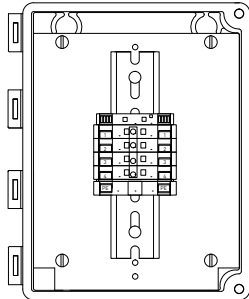
- Compression molded fibreglass has outstanding chemical and temperature resistance qualities and exhibits excellent weatherability and physical properties
- Light gray finish inside and out
- Gasket assures water-tight and dust-tight seal
- Polyester mounting tabs and stainless steel attachment screws are provided with each enclosure
- Two corrosion resistant polyester quick release latches are located in corners to provide unobstructed access to enclosure
- Removable hinged cover attached to body with stainless steel hinge pin
- Hinge pin and bail are corrosion resistant Type 316 stainless steel
- Padlock provisions included in each latch
- Inside dimensions: 8" high x 6" wide x 4" deep (200 x 150 x 100 mm)
- Entries: Up to 8 x 1/2" and 3 x 3/4" - Use a step bit to drill out or enlarge any holes in fibreglass required for hubs/ connectors
- Box includes earthing plate on three sides and back of box and is pre-punched for eight 1/2" and three 3/4" hubs

APPROVALS

CSA approved Type 4X enclosure and certified electrical assembly
 Area classification - Hazardous locations CL 1, DIV2 Groups B, C and D, T5
 Enclosure type: Type 4X
 Ambient temperature rating: -50°C to +40°C
 Enclosure flammability evaluated per UL 508A



ELECTRICAL SPECIFICATIONS



Maximum operating voltage 600Vac

Maximum 35A per terminal, rated 18AWG to 6AWG

Maximum circuit breaker rating - 40A (loaded to 80% has a maximum current of 32A)

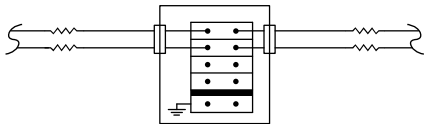
Maximum total connected load - 15.7kW

Consider MI cold lead cable gland size, hub size and power cable size in selecting appropriate box

Power cable gland and hubs for MI cold lead glands not included

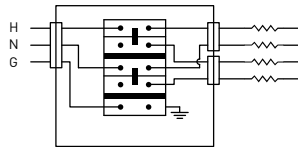
TYPICAL ELECTRICAL CONNECTION OPTIONS

MIJB-864-A-SPLC



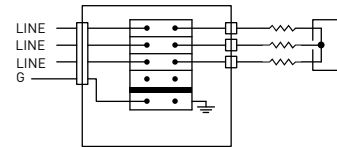
- USED TO SPLICE E DESIGN MI CABLES WITH E OR D DESIGN CABLES.
- FIELD TO REMOVE 4-POLE JUMPER.

MIJB-864-A-PARALLEL



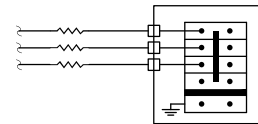
- USE WITH A, E OR D DESIGN MI CABLES.
- FIELD TO INSTALL TWO 2-POLE JUMPERS AND END PLATE.

MIJB-864-A-3PWR

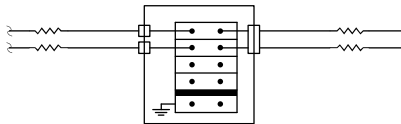


- USE WITH B DESIGN MI CABLES.
- USE AN MIJB-864-A-STAR TO TERMINATE OR A MIJB-864-A-SPLC TO CONTINUE THE 3-PHASE HEATER CABLE.
- FIELD TO REMOVE 4-POLE JUMPER.

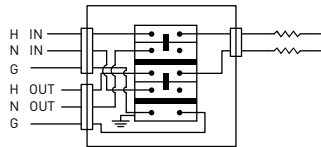
MIJB-864-A-STAR



- USED TO TERMINATE 3 PHASE B DESIGN MI CABLES.

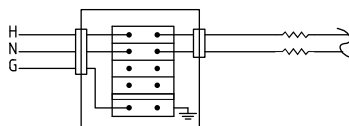


- USED TO SPLICE B DESIGN TO A DESIGN MI CABLES.
- FIELD TO REMOVE 4-POLE JUMPER.



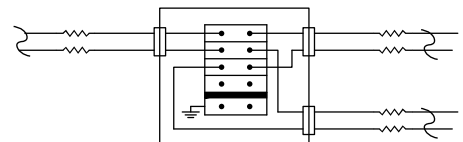
- USE WITH A, E OR D DESIGN MI CABLES.
- FIELD TO INSTALL TWO 2-POLE JUMPERS AND END PLATE.

MIJB-864-A-PWR

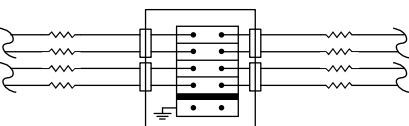


- USE WITH A, E OR D DESIGN MI CABLES.
- FIELD TO REMOVE 4-POLE JUMPER.

MIJB-864-A-SERIES

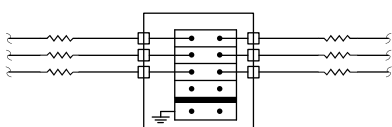


- USE WITH A, E OR D DESIGN MI CABLES.
- FIELD TO REMOVE 4-POLE JUMPER.

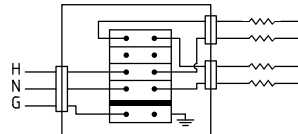


- USED TO SPLICE E-TYPE MI CABLES WITH E OR D DESIGN CABLES.
- FIELD TO REMOVE 4-POLE JUMPER.

MIJB-864-A-SERIES

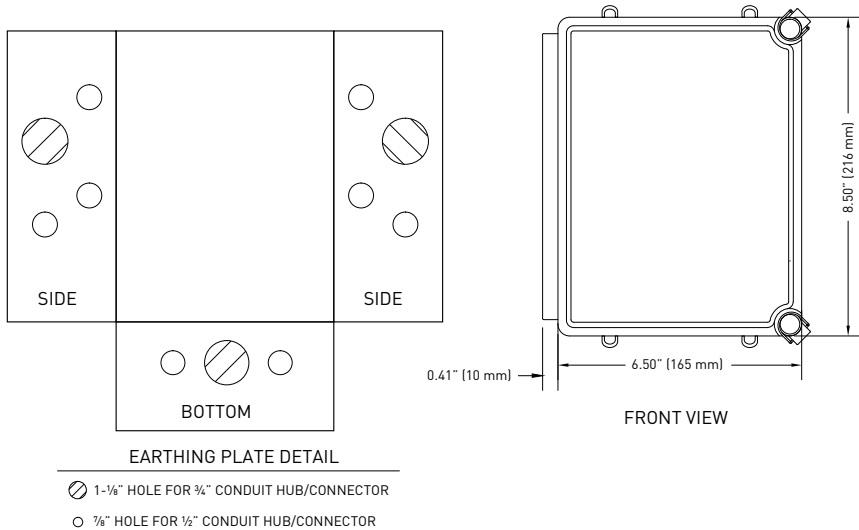


- USED TO SPLICE B DESIGN MI CABLES. (TYPICALLY 3 PHASE)
- FIELD TO REMOVE 4-POLE JUMPER.



- USE WITH A, E OR D DESIGN MI CABLES.
- FIELD TO REMOVE 4-POLE JUMPER.

ENCLOSURE DETAIL

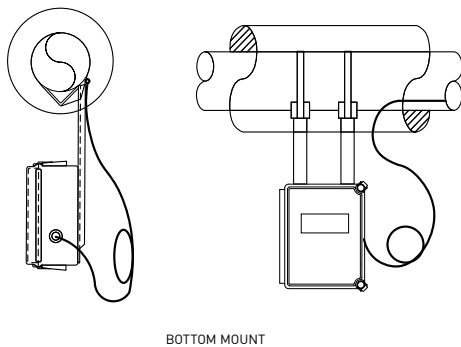


- Junction boxes can be mounted using holes in back and screws provided, or using four mounting tabs supplied
- Hinge can be moved to other side of box by rotating earthing plate 180°
- Earth plate is fabricated from galvanized steel, and is bonded to internal PE terminal block for bonding of hubs and connectors

GENERAL

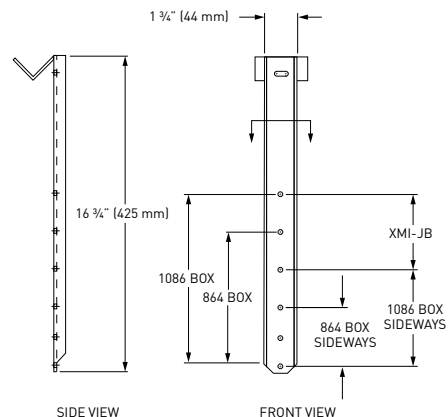
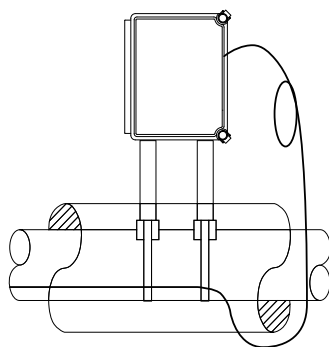
Lamacoids are not included.
Two mounting brackets (MBRP-B) and two pipe straps must be ordered separately for installation on pipe.

ENCLOSURE MOUNTING BRACKET



Product Overview

- Mounting bracket for MIJB series fiberglass enclosures which enables enclosure installation and connection prior to application of insulation and cladding
- Installation time reduction as electrician does not need to return after cladding is installed
- 304SS Stainless steel pipe support bracket for MIJB-864-A, MIJB-1086-A and MIJB-1086-B fiberglass enclosures
- Two brackets are required to support each enclosure. Each bracket requires one pipe strap
- Suitable for pipe temperatures up to 900°F (480°C)



ORDERING DETAILS

Description	Catalog number	Part number	Weight/lbs
Enclosure	MIJB-864-A	T0002069	4.50 lbs

Spare Parts and Accessories

Mounting Bracket for MIJB series fiberglass enclosures	MBRP-B	T0002003	1.1 lbs
--------------------------------------------------------	--------	----------	---------



WWW.PENTAIRTHERMAL.COM

NORTH AMERICA

Tel: +1.800.545.6258
Fax: +1.800.527.5703
Tel: +1.650.216.1526
Fax: +1.650.474.7215
thermal.info@pentair.com

EUROPE, MIDDLE EAST, AFRICA

Tel: +32.16.213.511
Fax: +32.16.213.603
thermal.info@pentair.com

ASIA PACIFIC

Tel: +86.21.2412.1688
Fax: +86.21.5426.2937
cn.thermal.info@pentair.com

LATIN AMERICA

Tel.: +1.713.868.4800
Fax: +1.713.868.2333
thermal.info@pentair.com

Pentair is owned by Pentair or its global affiliates. All other trademarks are the property of their respective owners. Pentair reserves the right to change specifications without prior notice.

© 2004 - 2016 Pentair.