

# Bussmann Power distribution fuse block



## Features and benefits:

- Combination power distribution block and fuse block reduces wire connections and total panel components, using 50% less panel space and reducing installation time and labor by 33%.
- A 200kA withstand rating helps achieve a higher assembly short-circuit current rating (SCCR) for compliance with NEC® sections 110.10, 409.110(4), 409.22, 440.4(B), 670.3(A)(4) and 670.5.
- Optional see-through cover enhances safety with IP20 finger-safe protection, lockout/tagout capability and open circuit indication.

## Product description:

New Bussmann® series Class J fuse block features power distribution capability.

This patented design simplifies your panel layout and uses up to 50% less panel space. Additionally, it lowers inventory costs while reducing installation time and labor by 33%.

Furthermore, this design uses fewer wire connections, reducing watts loss and overall operating temperature when compared with traditional fuse block/power distribution block solutions.

**Catalog symbol:**

- JM60\_\_-\_\_MW\_

**Fuse Class:**

- Class J

**Specifications:**

**Ratings:**

- Volts
  - 600V
- Amps
  - 70-400A
- Withstand
  - 200kA Sym RMS

**Agency information:**

- Blocks
  - UL® Listed E14853 IZLT
  - CSA® Certified 47235 6225-01
- Covers – UL Listed E58836 – JDVS2
- CE
- RoHS compliant

**Poles:**

- 1-, 2-, 3-pole

**Flammability ratings:**

- Blocks
  - UL 94V0, self-extinguishing
- Covers
  - UL 94HB, self-extinguishing

**Operating and storage temperature range:**

- Blocks
  - 40°C to +120°C
- Covers
  - Non-indicating -40°C to +120°C

- Indicating -20°C to +90°C

**Materials:**

- Base
  - Thermoplastic
- Terminals
  - Tin-plated aluminum

**Wire:**

- 75°C Cu/Al\*
- \* Conductors with higher temperature rating may be used, but at their 75°C ampacity.

**Accessories:**

- Optional IP20 finger-safe covers in indicating and non-indicating versions. Order one for each pole.

**Recommended fuses (order separately):**

- Time-delay Class J Low-Peak™ (see data sheet No. 1007)
  - Indicating LPJ-\_(amp)SPI
  - Non-indicating LPJ-\_(amp)SP
- Fast-acting Class J Limitron™ (see data sheet No. 1027)
  - Non-indicating JKS-(amp)
- High Speed Class J DFJ drive fuses (see data sheet No. 1048)



Loadside view



Bussmann series power distribution fuse blocks are available preassembled into 1-, 2- and 3-pole versions. Individual blocks can be dovetailed together to achieve the desired number of poles. Use of covers requires ordering separately one cover for each pole.

| Part Number                 | Optional Covers | Volts (V) | Fuse Range | Poles | Conductors           | Lineside                |                       | Loadside                |                         |                       |
|-----------------------------|-----------------|-----------|------------|-------|----------------------|-------------------------|-----------------------|-------------------------|-------------------------|-----------------------|
|                             |                 |           |            |       |                      | Torque AWG; N•m (Lb-In) | Conductors            | Torque AWG; N•m (Lb-In) | Torque AWG; N•m (Lb-In) |                       |
| JM60100-1MW14               | CVR-J-60100-M   | 600       | 70-100A    | 1     | (1) 1/0-14 Cu/Al     | 1/0-1;                  | 5.6 (50)              | (4) 4-14 Cu, 4-8 Al     | 4-6;                    | 4.0 (35)              |
| JM60100-2MW14               |                 |           |            | 2     |                      | 4-6;                    | 5.0 (45)              |                         | 8;                      | 2.8 (25)              |
| JM60100-3MW14               |                 |           |            | 3     |                      | 8;                      | 4.5 (40)              |                         | 10-14;                  | 2.3 (20) <sup>†</sup> |
| JM60200-1MW16               | CVR-J-60200-M   | 600       | 110-200A   | 1     | (1) 250kcmil-6 Cu/Al | 250kcmil-1;             | 42 (375)              | (6) 4-14 Cu, 4-8 Al     | 4-6;                    | 4.0 (35)              |
| JM60200-2MW16               |                 |           |            | 2     |                      | (2) 2-6;                | 31 (275)              |                         | 8;                      | 2.8 (25)              |
| JM60200-3MW16               |                 |           |            | 3     |                      | 10-14;                  | 3.4 (30) <sup>†</sup> |                         | (12)**10-14 Cu          | 2.3 (20) <sup>†</sup> |
| JM60400-1MW16               | CVR-J-60400-M   | 600       | 225-400A   | 1     | (1) 600kcmil-4 Cu/Al | 600kcmil-4;             | 57 (500)              | (6) 2-14 Cu, 2-8 Al     | 2-3;                    | 5.6 (50)              |
| JM60400-2MW16               |                 |           |            | 2     |                      | 500kcmil;               | 51 (450)              |                         | 4-6;                    | 5.0 (45)              |
| JM60400-3MW16               |                 |           |            | 3     |                      | (2) 3/0-4;              | 57 (500) CU           |                         | 8;                      | 4.5 (40)              |
|                             | CVRI-J-60400-M* |           |            |       |                      | 34 (300) AL             |                       | (12)**8-14 Cu, 8 Al     | 10-14;                  | 4.0 (35) <sup>†</sup> |
|                             |                 |           |            |       |                      |                         |                       |                         | (2) 10-14;              | 4.5 (40) <sup>†</sup> |
| JM60400-1MW26 <sup>††</sup> |                 |           |            | 1     | (2) 350kcmil-6 Cu/Al |                         |                       | (6) 2-14 Cu, 2-8 Al     | 2-3;                    | 5.6 (50)              |
| JM60400-2MW26 <sup>††</sup> |                 |           |            | 2     |                      | (2) 350kcmil-1;         | 42 (375)              |                         | 8;                      | 4.5 (40)              |
| JM60400-3MW26 <sup>††</sup> |                 |           |            | 3     |                      | (2) 2-6;                | 31 (275)              |                         | 10-14;                  | 4.0 (35) <sup>†</sup> |
|                             |                 |           |            |       |                      |                         |                       |                         | (2) 10-14;              | 4.5 (40) <sup>†</sup> |

\* With open fuse indication. 90V minimum and closed circuit required for illumination.

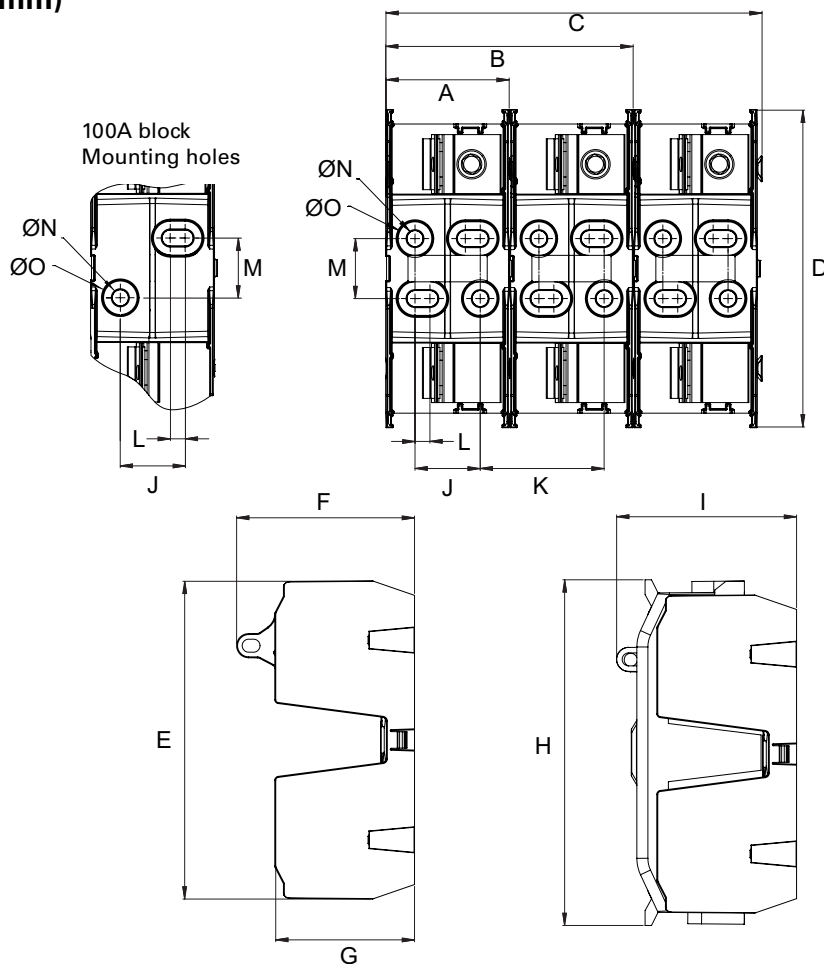
\*\* Dual wire rated lugs with same wire size.

† Copper conductor only.

†† Lineside dual box lug.

††† Dual wire not for CSA installations

Dimensions - in (mm)



| Block Size |    | A   | B   | C   | D   | E   | F   | G   | H   | I   | J   | K   | L   | M   | ØN  | ØO  |
|------------|----|-----|-----|-----|-----|-----|-----|-----|-----|-----|-----|-----|-----|-----|-----|-----|
| 100A       | in | 2.0 | 4.0 | 6.0 | 5.5 | 5.5 | 2.8 | 2.2 | 6.0 | 2.8 | 0.9 | 2.0 | 0.4 | 1.1 | 0.4 | 0.5 |
|            | mm | 51  | 102 | 153 | 139 | 139 | 72  | 55  | 152 | 72  | 22  | 51  | 10  | 29  | 9   | 13  |
| 200A       | in | 2.6 | 5.3 | 8.0 | 6.8 | 6.8 | 3.8 | 3.0 | 7.3 | 3.8 | 1.4 | 2.6 | 0.3 | 1.3 | 0.4 | 0.7 |
|            | mm | 67  | 134 | 203 | 172 | 172 | 97  | 75  | 186 | 97  | 35  | 67  | 8   | 32  | 9   | 19  |
| 400A       | in | 3.5 | 7.0 |     | 8.0 | 8.0 | 4.8 | 4.1 | 8.7 | 4.8 | 2.0 | 3.5 | 0.3 | 1.6 | 0.4 | 0.7 |
|            | mm | 88  | 177 | 268 | 202 | 202 | 121 | 105 | 220 | 121 | 50  | 88  | 8   | 41  | 9   | 19  |

The only controlled copy of this data sheet is the electronic read-only version located on the Eaton network drive. All other copies of this document are by definition uncontrolled. This bulletin is intended to clearly present comprehensive product data and provide technical information that will help the end user with design applications. Eaton reserves the right, without notice, to change design or construction of any products and to discontinue or limit distribution of any products. Eaton also reserves the right to change or update, without notice, any technical information contained in this bulletin. Once a product has been selected, it should be tested by the user in all possible applications.

Eaton  
1000 Eaton Boulevard  
Cleveland, OH 44122  
United States  
Eaton.com

Bussmann Division  
114 Old State Road  
Ellisville, MO 63021  
United States  
Eaton.com/bussmannseries

© 2015 Eaton  
All Rights Reserved  
Printed in USA  
Publication No. 10192 – BU-SB131185  
December 2015

Eaton, Bussmann, Limitron and Low-Peak are valuable trademarks of Eaton in the US and other countries. You are not permitted to use the Eaton trademarks without prior written consent of Eaton.

CSA is a registered trademark of the Canadian Standards Group.  
NEC is a registered trademark of the National Fire Protection Association, Inc.  
UL is a registered trademark of the Underwriters Laboratories, Inc.

For Eaton's Bussmann series product information, call 1-855-287-7626 or visit: [Eaton.com/bussmannseries](http://Eaton.com/bussmannseries)